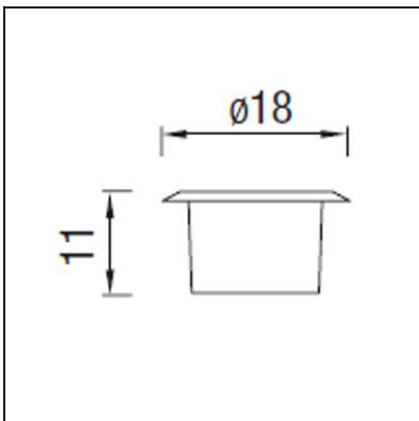




The photograph may not match the reference exactly. Please read the product description to identify the finish.



DESCRIPTION

May be flush mounted into the floor. Body produced in techno-polymer, with an AISI 304 stainless steel surround and a tempered glass diffuser. For LED or G-53 12V AC halogen light source with a maximum of 75W. Transformer required. 2.5 m lead wire supplied. Its wire outlets on both sides makes it suitable for an array installation.

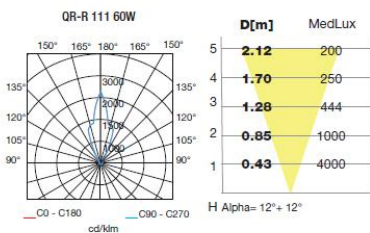
TECHNICAL CHARACTERISTICS

Type:	Uplight
IP Protection degrees:	IP67
IK Protection degrees:	IK08
Lampholder:	1 x G53
Power (W):	G53 MAX 75W
Voltage / Frequency:	12V/50Hz
Units per box:	8
Net Weight (Kg):	1.38
EAN:	8435111059289



MATERIALS / FINISHES

Structure material:	Stainless steel AISI304 Technopolymer	Diffuser material: Glass
		Diffuser finish: Tempered



GEAR

Necessary equipment not included. For more information check website / catalogs / sales organization.

Download photometric file .ldt / .ies

71-9197-05-05



IP68 (1m)

71-9452-CA-CA



Structure material: Stainless steel AISI316

71-9639-CA-CA



