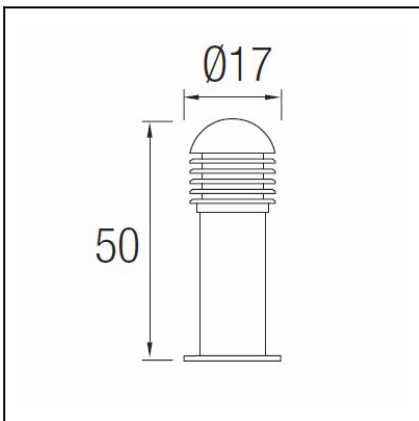




The photograph may not match the reference exactly. Please read the product description to identify the finish.



### DESCRIPTION

Bollard made from injected aluminium with a frosted polycarbonate diffuser protected by an aluminium grille (included). Available in two heights (50cm and 90cm) and in two finishes (light grey or dark grey). G12 70W metal halide light. Electronic components included.

### TECHNICAL CHARACTERISTICS

Type:	Beacon
IP Protection degrees:	IP44
IK Protection degrees:	IK08
Lampholder:	1 x G12
Power (W):	G12 HIT-T-70W
Voltage / Frequency:	230V/50Hz
Warranty (Years):	2
Units per box:	4
Net Weight (Kg):	3.66
EAN:	8435111076040,00



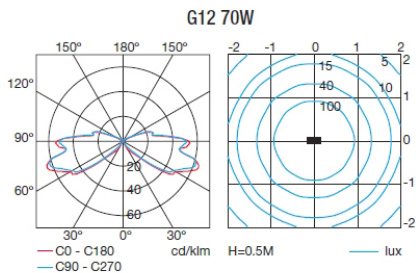
### MATERIALS / FINISHES

**Structure material:** High purity aluminium

**Diffuser material:** Polycarbonate

**Structure finish:** Urban grey

**Diffuser finish:** Matt



### GEAR

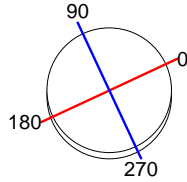
Gear included: Yes, Magnetic

Download photometric file .ldt / .ies

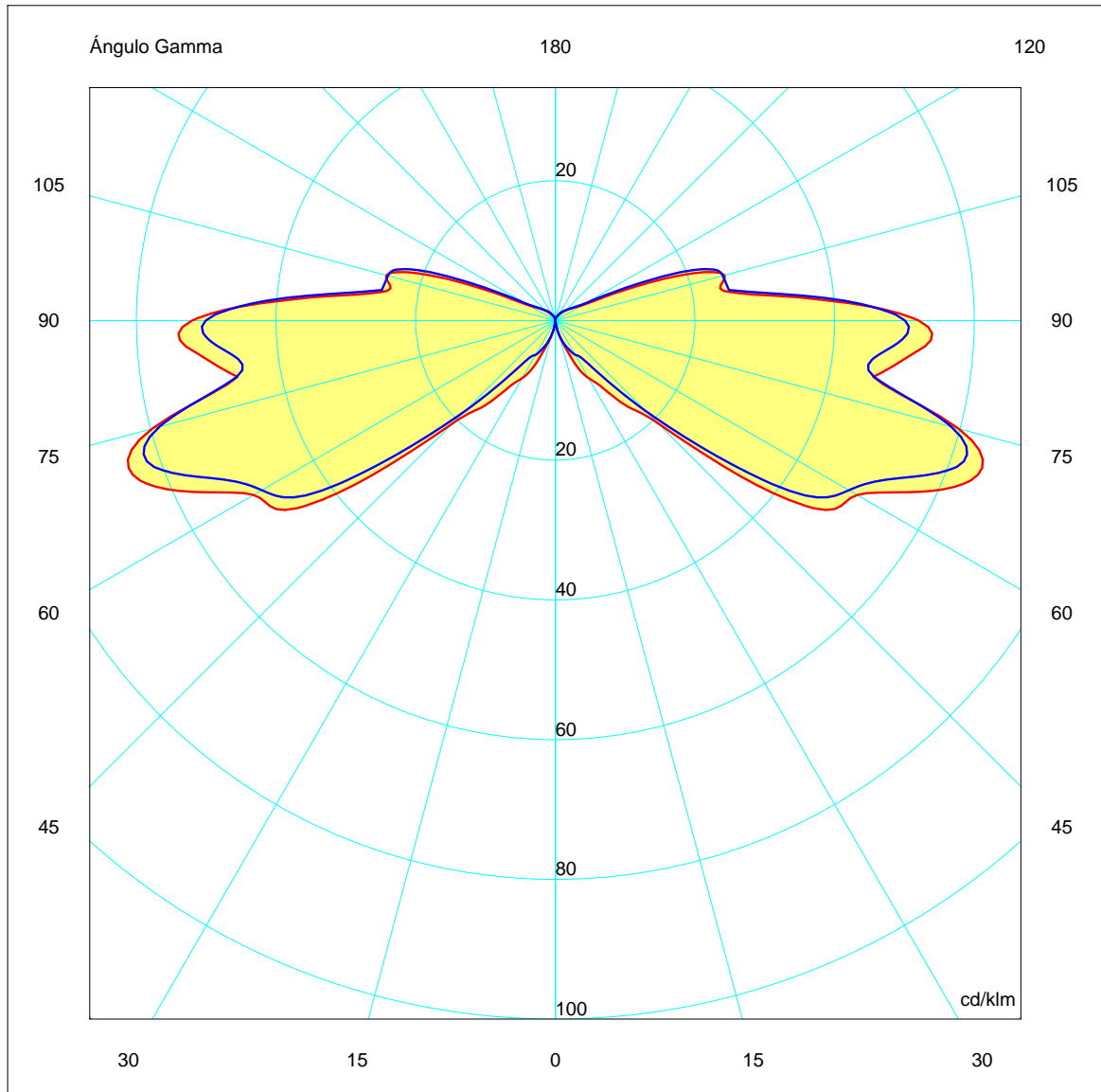
<b>Luminaria</b>		<b>Ensayo</b>		<b>Lámpara</b>	
Código	55-9342-34-M2	Código	55-9342-34-M2	Código	CDMT70
Nombre	Baliza 70W HIT-T G12	Nombre	Baliza HIT-T 70W G12	Número	1
Familia	- LEDS-C4	Fecha	10-11-2008	Posición	Universal
Eficiencia	31.79%	Sist. de Coorden.	C-G	Flujo Total	6400.00 lm
Valor Máximo	64.43 cd/klm	Posición	C=0.00 G=70.00		Asimétrico

Diam=150mm

Semiplanos C

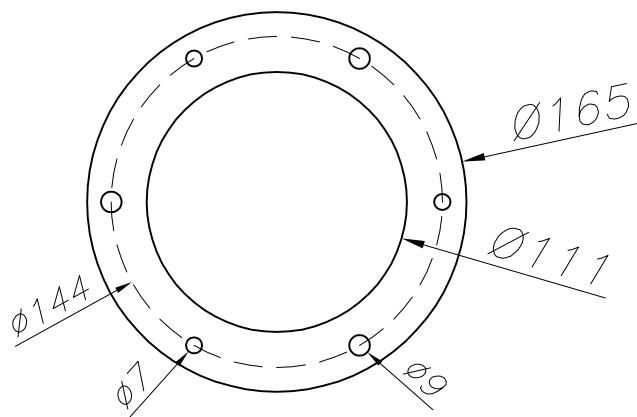
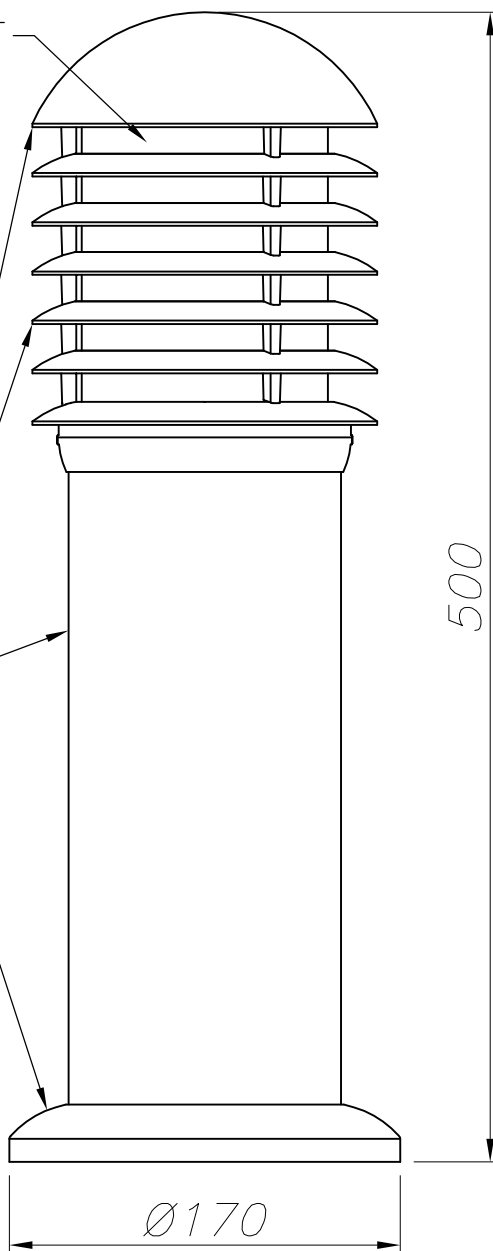


180.0 ——— 0.0  
270.0 ——— 90.0



POLICARBONATO TRANSPARENTE MATE  
TRANSPARENT MATT POLYCARBONATE

ALUMINIO DE ALTA PUREZA  
HIGH QUALITY ALUMINUM



PLANTILLA DE INSTALACIÓN  
INSTALLATION TEMPLATE

