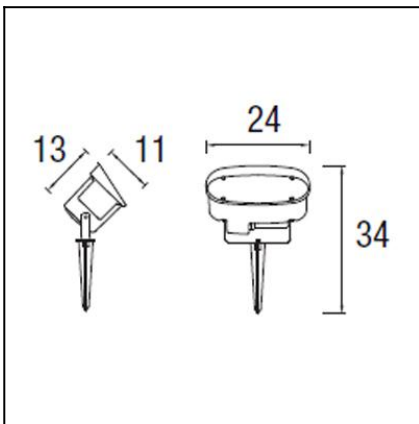




The photograph may not match the reference exactly. Please read the product description to identify the finish.



### TECHNICAL CHARACTERISTICS

Type:	Focus
IP Protection degrees:	IP65
IK Protection degrees:	IK09
Lampholder:	1 x G24d3
Power (W):	G24d3 26W
Voltage / Frequency:	230V/50Hz
Units per box:	4
Net Weight (Kg):	1.36
EAN:	8435111069547

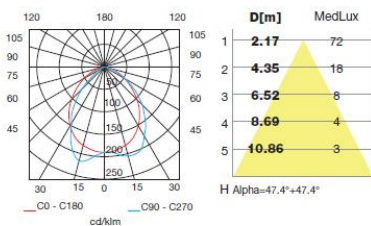


### MATERIALS / FINISHES

<b>Structure material:</b>	High purity aluminium	<b>Diffuser material:</b>	Polycarbonate
<b>Structure finish:</b>	Urban grey	<b>Diffuser finish:</b>	Matt

### GEAR

Gear included: Yes, Magnetic

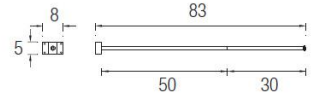


Download photometric file .ldt / .ies

71-9487-Z5-Z5



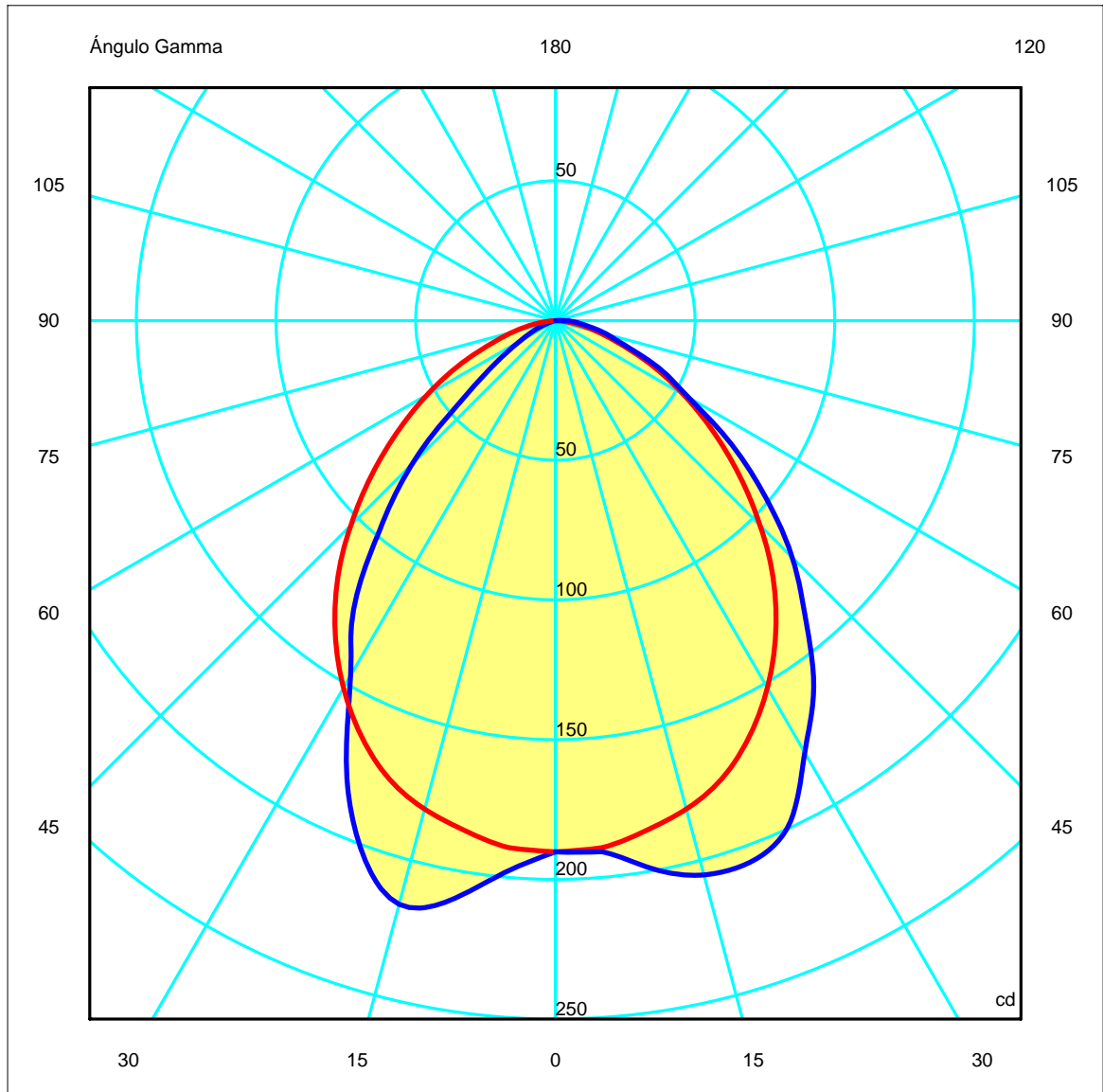
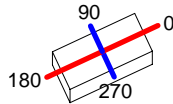
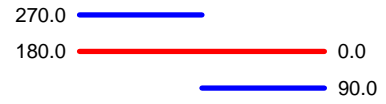
**Structure material:** Galvanized steel  
**Structure finish:** Urban grey



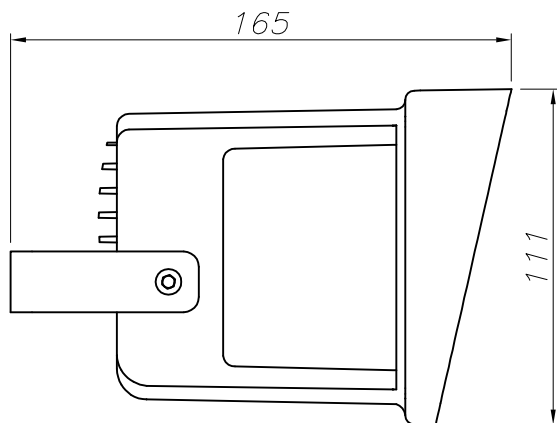
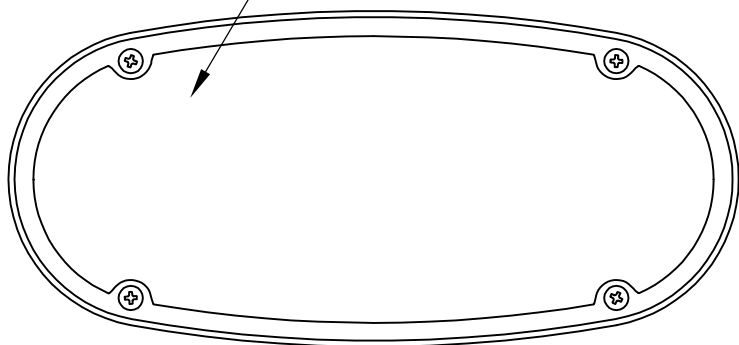
<b>Luminaria</b>		<b>Ensayo</b>		<b>Lámpara</b>	
Código	55-9349-Z5-M3	Código	55-9349-Z5-M3	Código	PL-C26W/840/2P
Nombre	Proyect. ESPARTA 26W TC-D opal	NombreProyec.	ESPARTA 26W TC-D opal	Número	1
Familia	- LEDS-C4	Fecha	04-09-2009	Posición	Universal
Eficiencia	24.14%	Sist. de Coorden.	C-G	Flujo Total	1800.00 lm
Valor Máximo	216.25 cd	Posición	C=270.00 G=15.00	Sim. en los planos	270-90

110mm x 240mm

Semiplanos C

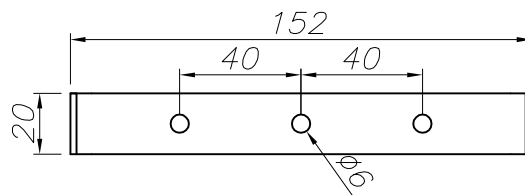
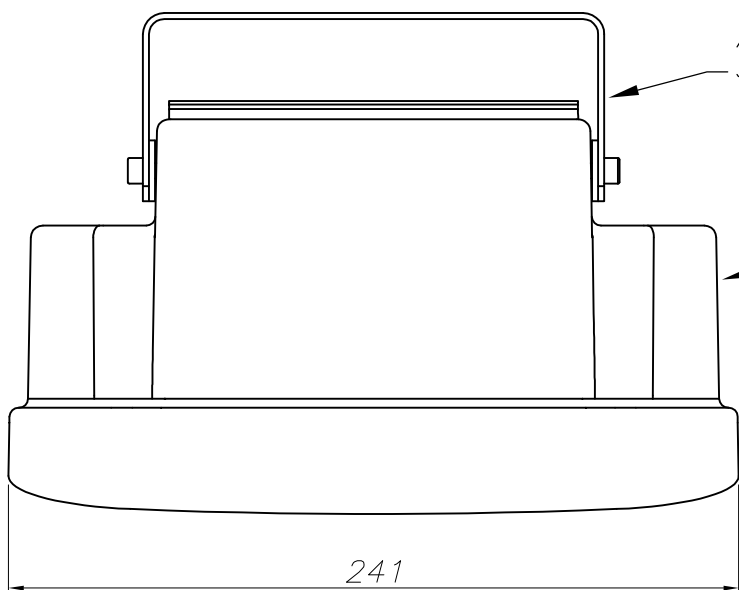


POLICARBONATO TRANSPARENTE MATE  
TRANSPARENT MATT POLYCARBONATE



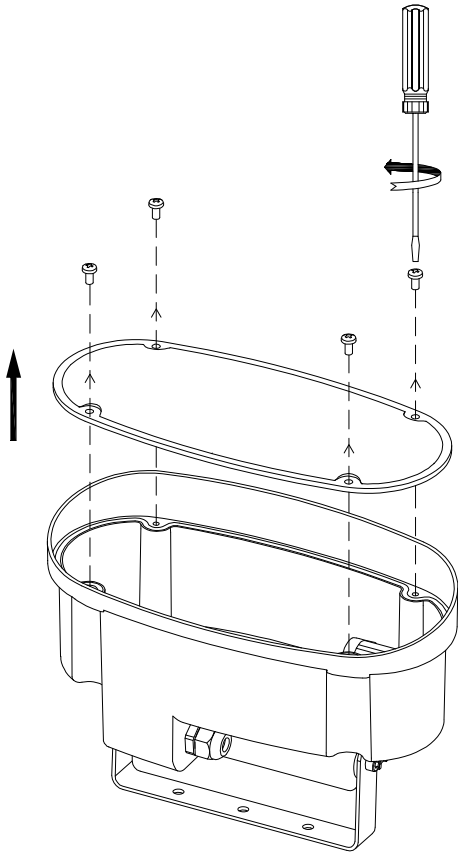
ACERO INOXIDABLE  
STAINLESS STEEL

ALUMINIO DE ALTA PUREZA  
HIGH QUALITY ALUMINUM

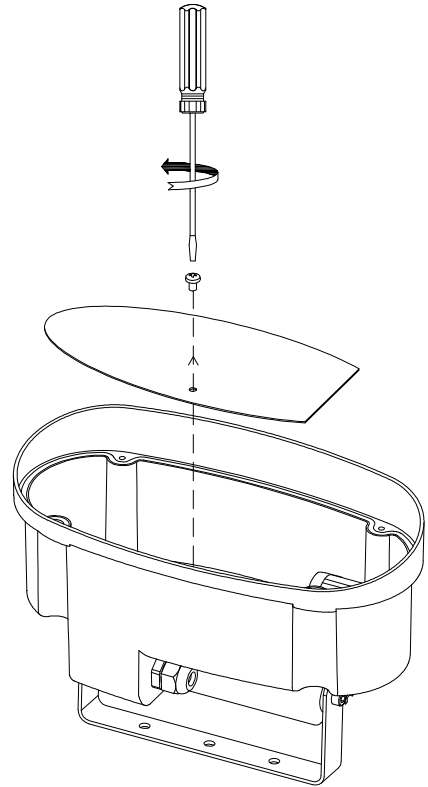


PLANTILLA DE INSTALACIÓN  
INSTALLATION TEMPLATE

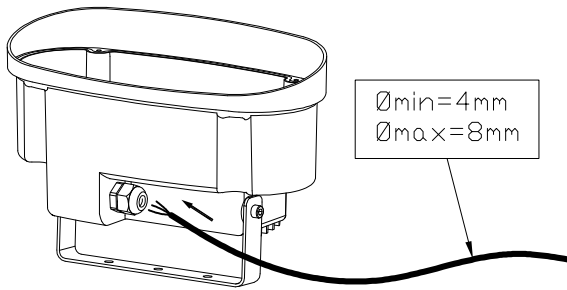
①



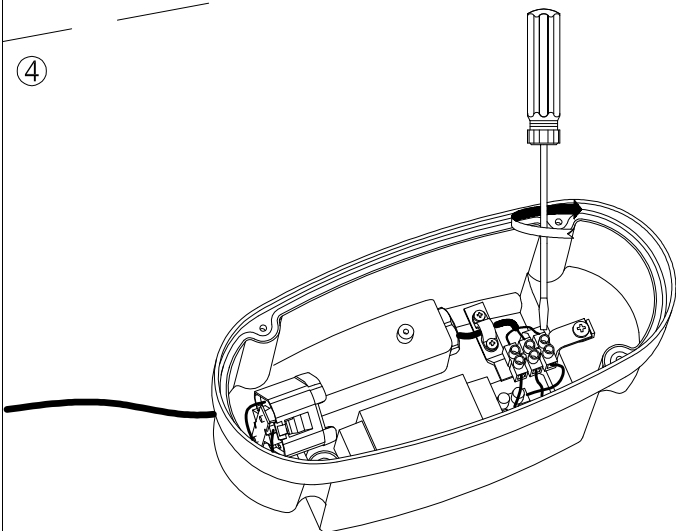
②



③



④



⑤

