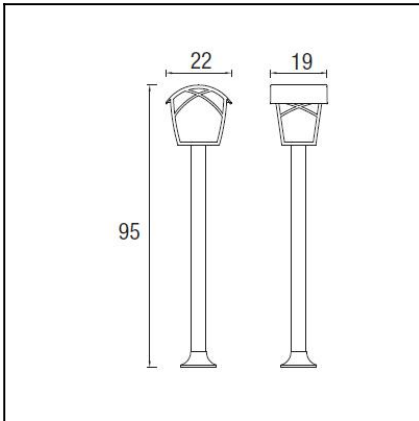




The photograph may not match the reference exactly. Please read the product description to identify the finish.



Download photometric file .ldt /.ies

TECHNICAL CHARACTERISTICS

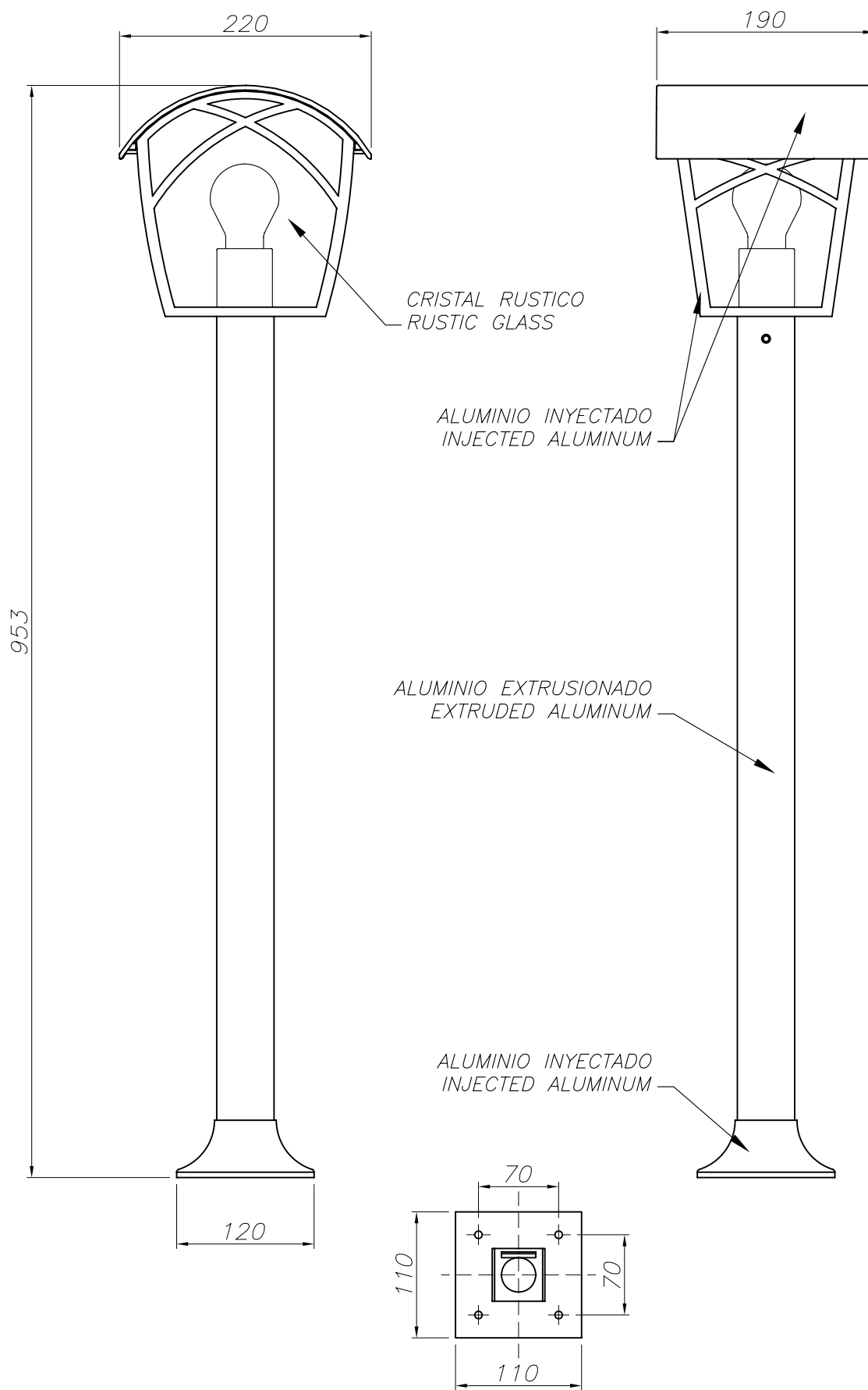
Type:	Beacon
IP Protection degrees:	IP23
Lampholder:	1 x E27
Power (W):	E27 MAX 100W
Total power consumption (W):	100
Voltage / Frequency:	230V/50-60Hz
Units per box:	2
Net Weight (Kg):	1.95
EAN:	8435111069554



MATERIALS / FINISHES

Structure material: High purity aluminium
Structure finish: Oxide brown

Diffuser material: Glass
Diffuser finish: Rustic



PLANTILLA DE INSTALACIÓN
INSTALLATION TEMPLATE

