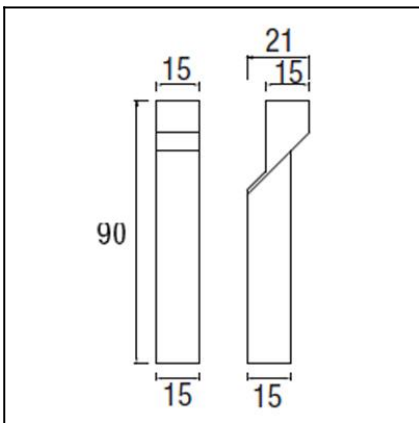




The photograph may not match the reference exactly. Please read the product description to identify the finish.



DESCRIPTION

Bollard with body produced in high grade aluminium with a clear polycarbonate diffuser. For 2 x GX24d-3 26W fluorescent lamps (not supplied). Includes BAG electronic components. Finished in light grey.

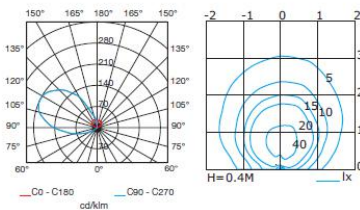
TECHNICAL CHARACTERISTICS

Type:	Beacon
IP Protection degrees:	IP44
IK Protection degrees:	IK03
Lampholder:	2 x GX24d3
Power (W):	GX24d3 26W
Voltage / Frequency:	230V/50Hz
Warranty (Years):	2
Units per box:	2
Net Weight (Kg):	6.46
EAN:	8435111069639,00



MATERIALS / FINISHES

Structure material:	High purity aluminium	Diffuser material:	Glass
Structure finish:	Grey	Diffuser finish:	Sandblasted



GEAR

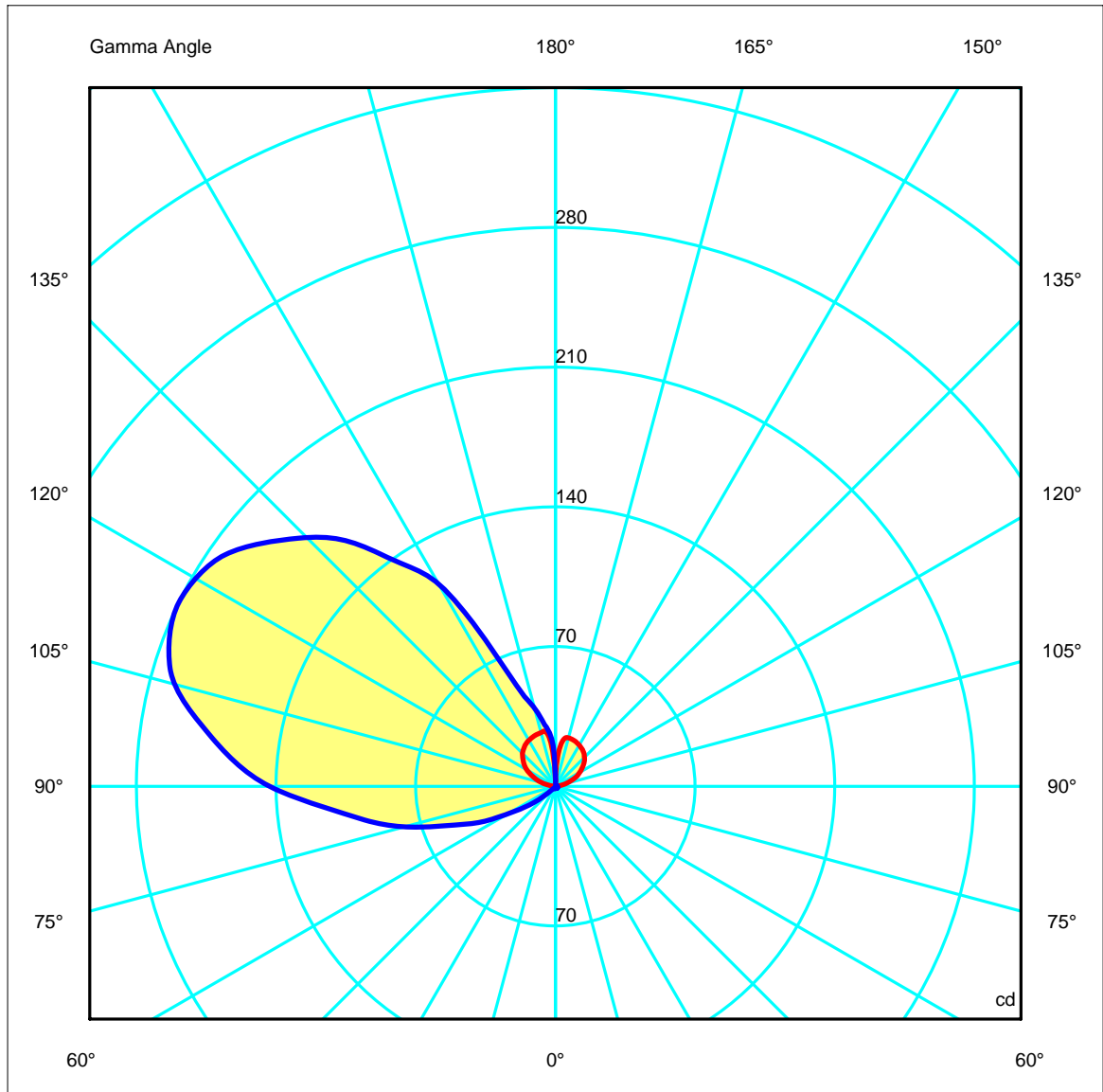
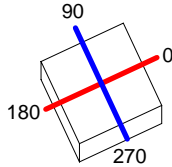
Gear included: Yes, Magnetic

Download photometric file .ldt / .ies

Luminaire		Measurement		Lamp	
Code	55-9374	Code	55-9374	Code	DD2621
Name	Luminaria Quadra para 2x26W	Name	QUADRA 2x26W Fluo	Number	2
Line	- LEDS-C4	Date	27-12-2010	Position	Universal
Efficiency	9.38%	Coordinate system	C-G	Total Flux	3600.00 lm
Maximum value	209.96 cd	Position	C=270.00 G=115.00	Asymmetrical	

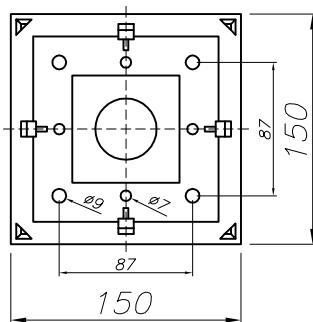
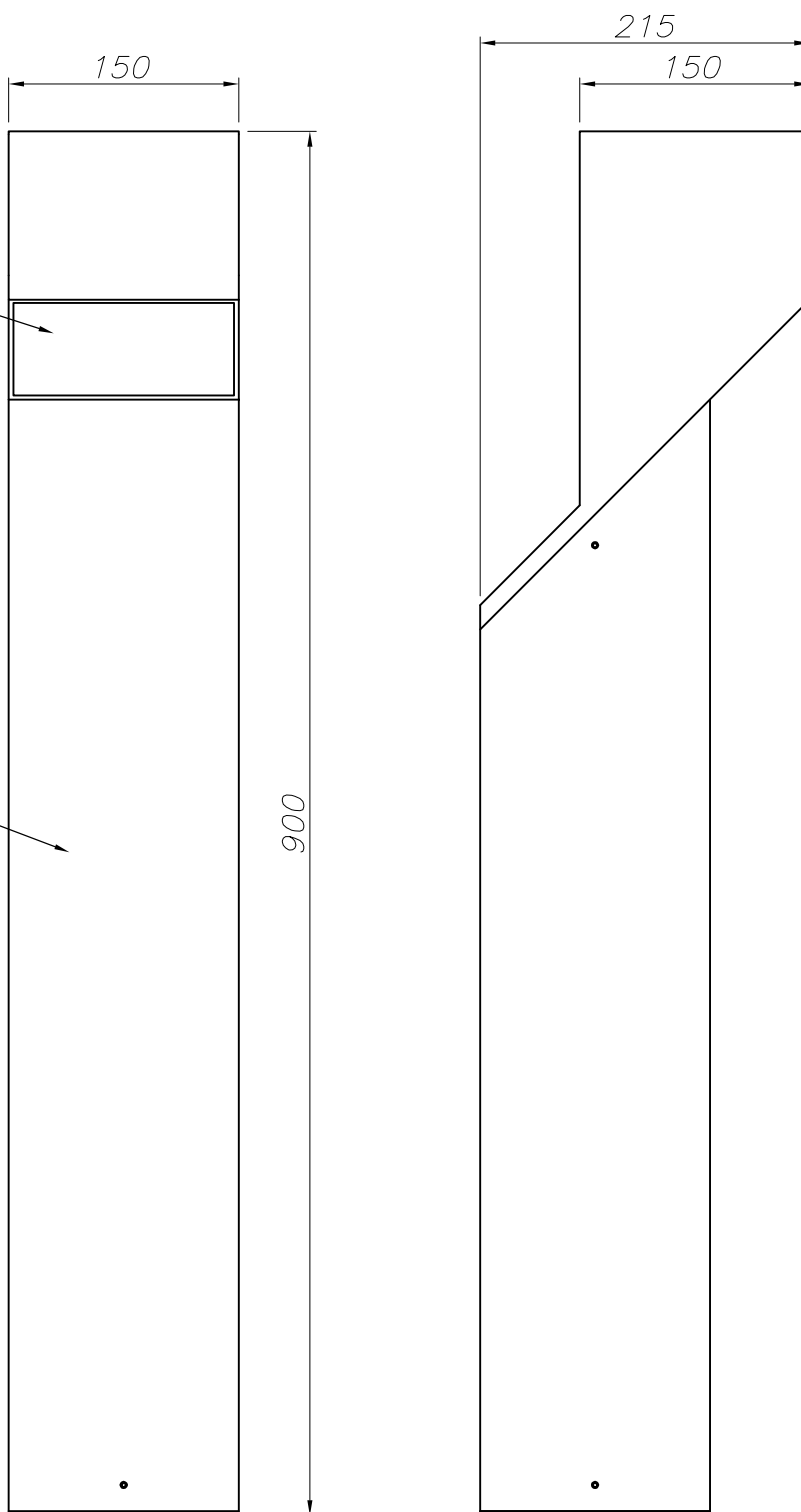
150mm x 150mm

C Halfplanes



CRISTAL TRANSPARENTE ARENADO INTERIOR
TRANSPARENT GLASS SANDFROSTED INSIDE

ALUMINIO DE ALTA PUREZA
HIGH QUALITY ALUMINUM



PLANTILLA DE INSTALACIÓN
INSTALLATION TEMPLATE

