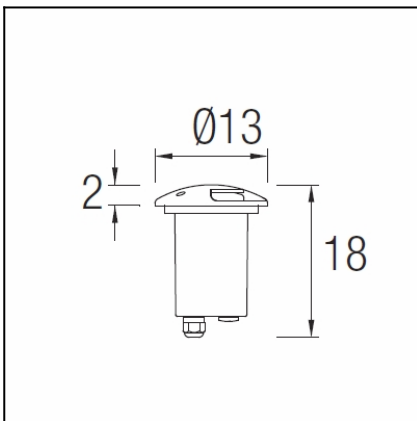




The photograph may not match the reference exactly. Please read the product description to identify the finish.

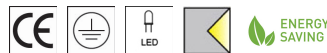


DESCRIPTION

May be flush mounted into the floor. Body produced in techno-polymer, lamp head in high grade aluminium and diffuser in frosted polycarbonate. Available in 12 different versions depending on the number of panes (one, two or four), on the finish (light or dark grey) and the light source (E-27 or LED). This version includes a 4,100K signal LED with a total output of 128 lm and includes a 230V driver. The E-27 version is compatible with LED and compact fluorescent lights (not supplied). IP67 and IK10. Its wire outlets on both sides makes it suitable for an array installation. Includes flush mounting box. Option of separate purchase of a coloured reflector accessory.

TECHNICAL CHARACTERISTICS

Type:	Downlight
IP Protection degrees:	IP67
IK Protection degrees:	IK10
Bulb:	6 x LED. Neutral white - 4200K
Power (W):	0.6
Voltage / Frequency:	220-240V/50-60Hz
Warranty (Years):	2
Option to extend the guarantee:	Yes, 5 years
Units per box:	4
Net Weight (Kg):	0.76
EAN:	8,43511E+12



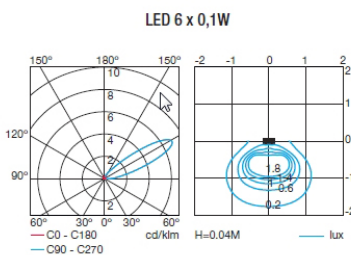
MATERIALS / FINISHES

Structure material: High purity aluminium Technopolymer	Diffuser material: Polycarbonate
Structure finish: Grey	Diffuser finish: Matt

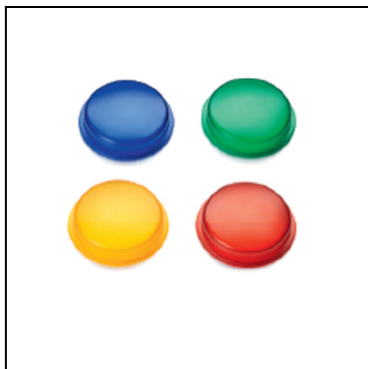
GEAR

Gear included: Yes, electronic

Download photometric file .ldt / .ies



71-9476-08-08

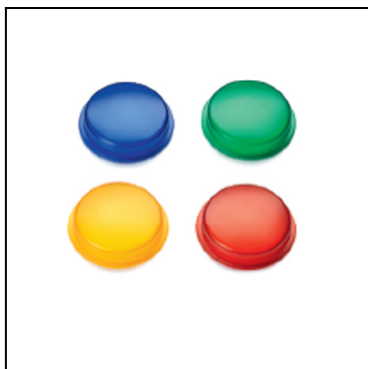
**Structure material:**

Polycarbonate

Structure finish:

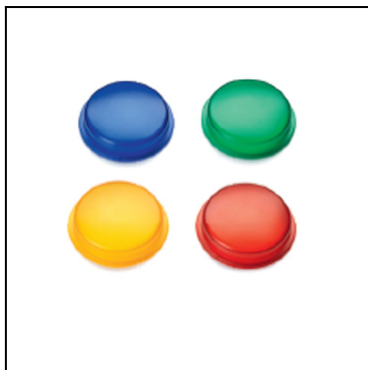
Green

71-9476-11-11

**Structure material:**

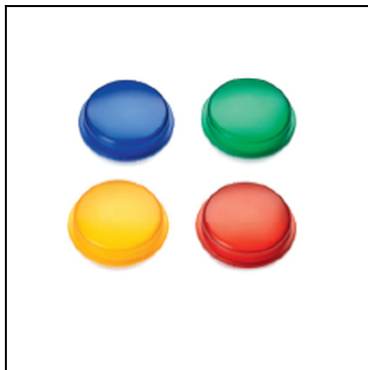
Polycarbonate

71-9476-24-24

**Structure material:**

Polycarbonate

71-9476-25-25

**Structure material:**

Polycarbonate

Structure finish:

Red

Report No.:

Test Time: 2013-1-19 11:03

Luminaire Property

Luminaire Manufacturer: LEDS-C4
 Luminaire Category:
 Lamp Catalog:
 Number of Lamps: 6
 Luminous Length (mm): 60
 Luminous Height (mm): 8
 Current: 0.022 A
 Power Factor: 0.258

Luminaire Description: 55-9422
 Lamp Description: LED
 Lumens per Lamp: 7
 Luminous Width (mm): 12
 Voltage: 220.7 V
 Power: 1.20 W

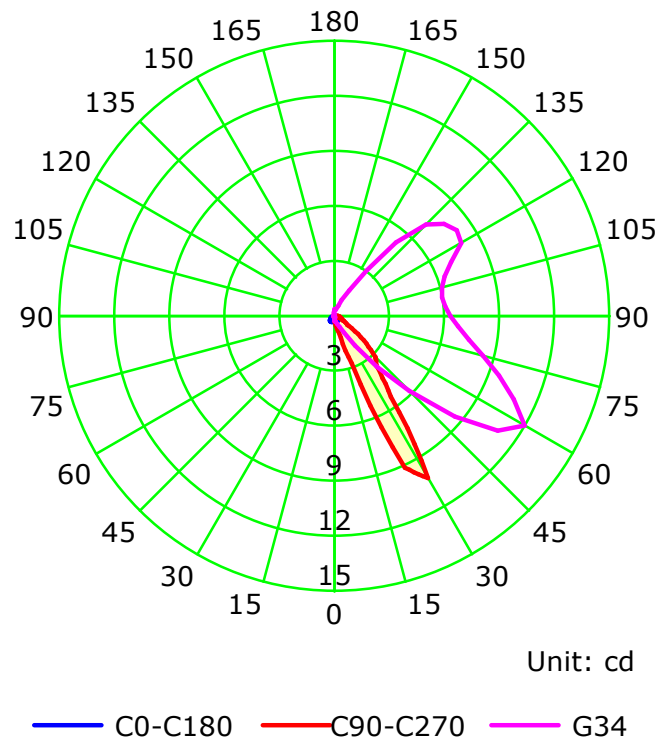
Photometric Results

CIE Class: Direct
 Measurement Flux: 5.5 lm
 Downward Ratio: 12.98%
 Horizontal Diffuse Angle(10%,50%): H179.6,H130.5
 Vertical Diffuse Angle(10%,50%): V145.2,V42.9
 Luminaire Efficacy Rating (LER): 5
 Max. Intensity: 12.47 cd

Total Rated Lamp Lumens: 42.0 lm
 Efficiency: 13.00%
 Upward Ratio: 0.01%
 Central Intensity: 0.3 cd
 Pos of Max. Intensity: H60 V34

Picture Of Luminaire ...

Luminous Intensity Distribution Curve

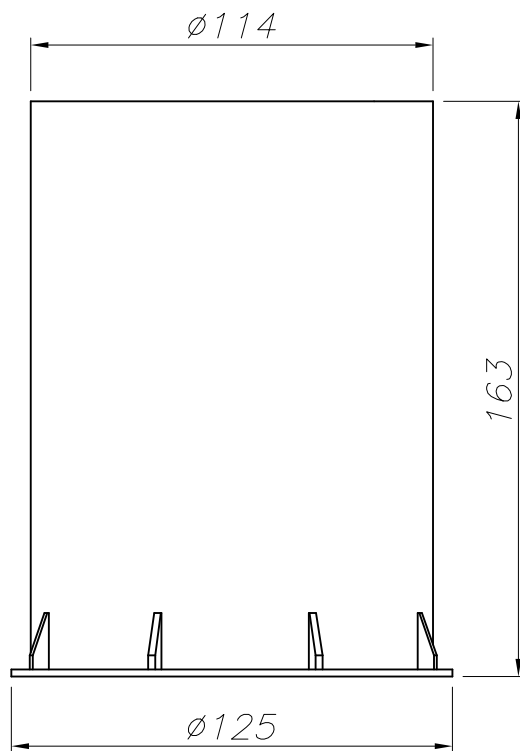
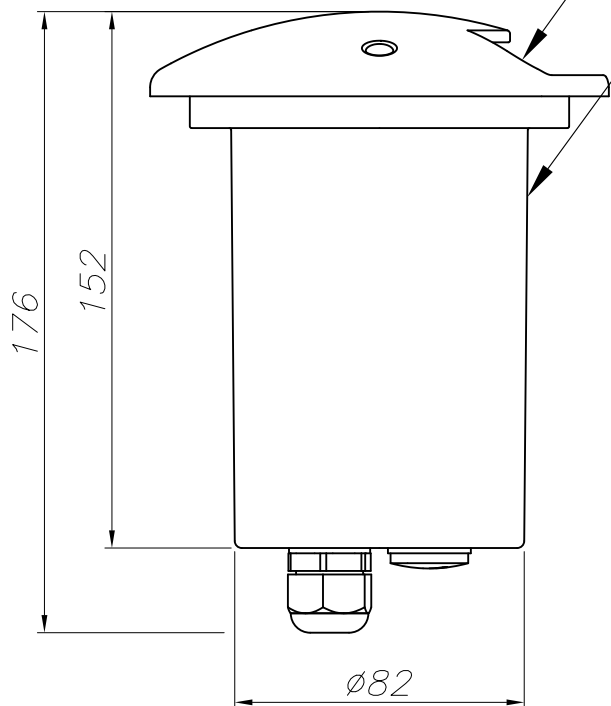


C Plane (°):0.0-360.0: 5.0
 Test Lab: INVENTFINE
 Test Type: TYPE C
 Temperature:
 Operator:

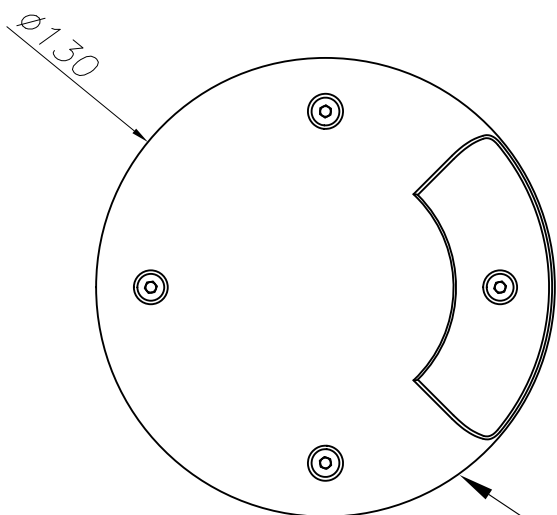
Gamma Plane (°):0.0-180.0:1.0
 Test Device: GPM-1800B
 Distance: 1.871 m
 Humidity:
 Inspector:

POLICARBONATO SEMITRASPARENTE MATE
SEMITRASPARENT MATT POLYCARBONATE

TECNOPOLÍMERO
TECHNOPOLYMER



CAJA DE EMPOTRAR
FLUSH FITTING BOX



ALUMINIO DE ALTA PUREZA
HIGH QUALITY ALUMINIUM

