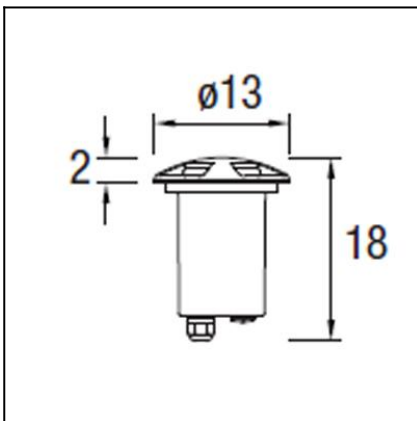




The photograph may not match the reference exactly. Please read the product description to identify the finish.

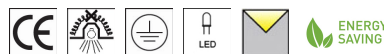


### DESCRIPTION

May be flush mounted into the floor. Body produced in techno-polymer, lamp head in high grade aluminium and diffuser in frosted polycarbonate. Available in 12 different versions depending on the number of panes (one, two or four), on the finish (light or dark grey) and the light source (E-27 or LED). This version includes a 4,100K signal LED with a total output of 128 lm and includes a 230V driver. The E-27 version is compatible with LED and compact fluorescent lights (not supplied). IP67 and IK10. Its wire outlets on both sides makes it suitable for an array installation. Includes flush mounting box. Option of separate purchase of a coloured reflector accessory.

### TECHNICAL CHARACTERISTICS

Type:	Uplight
IP Protection degrees:	IP67
IK Protection degrees:	IK10
Bulb:	12 x LED. Neutral white (5000 - 3700 K)
Power (W):	12 x 0,1W = 1,2W
Voltage / Frequency:	230V/50-60Hz
Possibilitat extensió garantia:	Sí, 5 anys
Units per box:	4
Net Weight (Kg):	0.775
EAN:	8435111076101

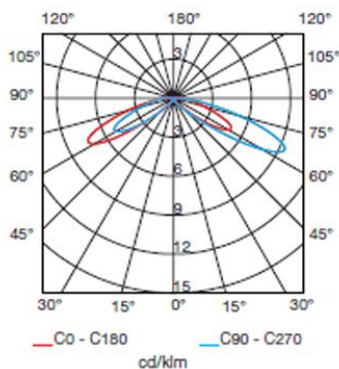


### MATERIALS / FINISHES

<b>Structure material:</b> High purity aluminium Technopolymer	<b>Diffuser material:</b> Polycarbonate
<b>Structure finish:</b> Urban grey	<b>Diffuser finish:</b> Matt

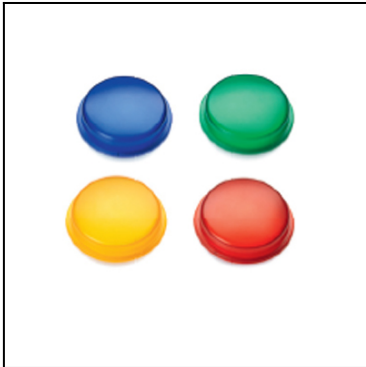
### GEAR

Gear included: Yes, electronic



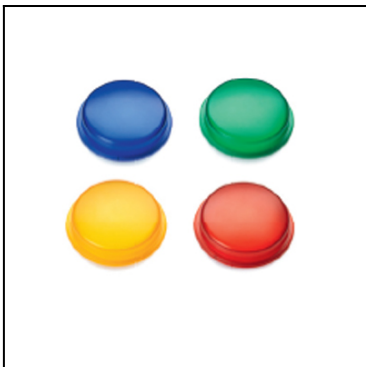
Download photometric file .ldt / .ies

71-9476-25-25



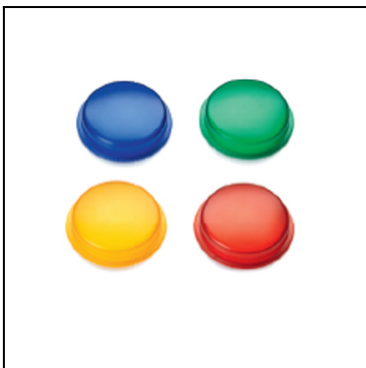
**Structure material:** Polycarbonate  
**Structure finish:** Red

71-9476-08-08



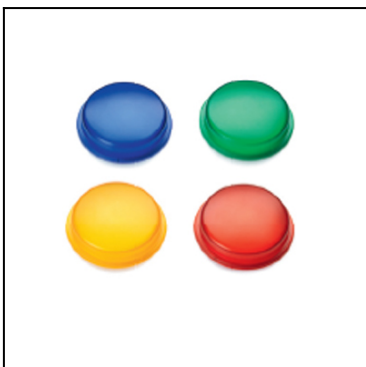
**Structure material:** Polycarbonate  
**Structure finish:** Green

71-9476-11-11



**Structure material:** Polycarbonate

71-9476-24-24

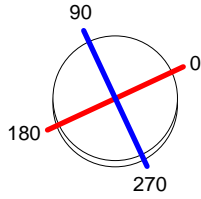


**Structure material:** Polycarbonate

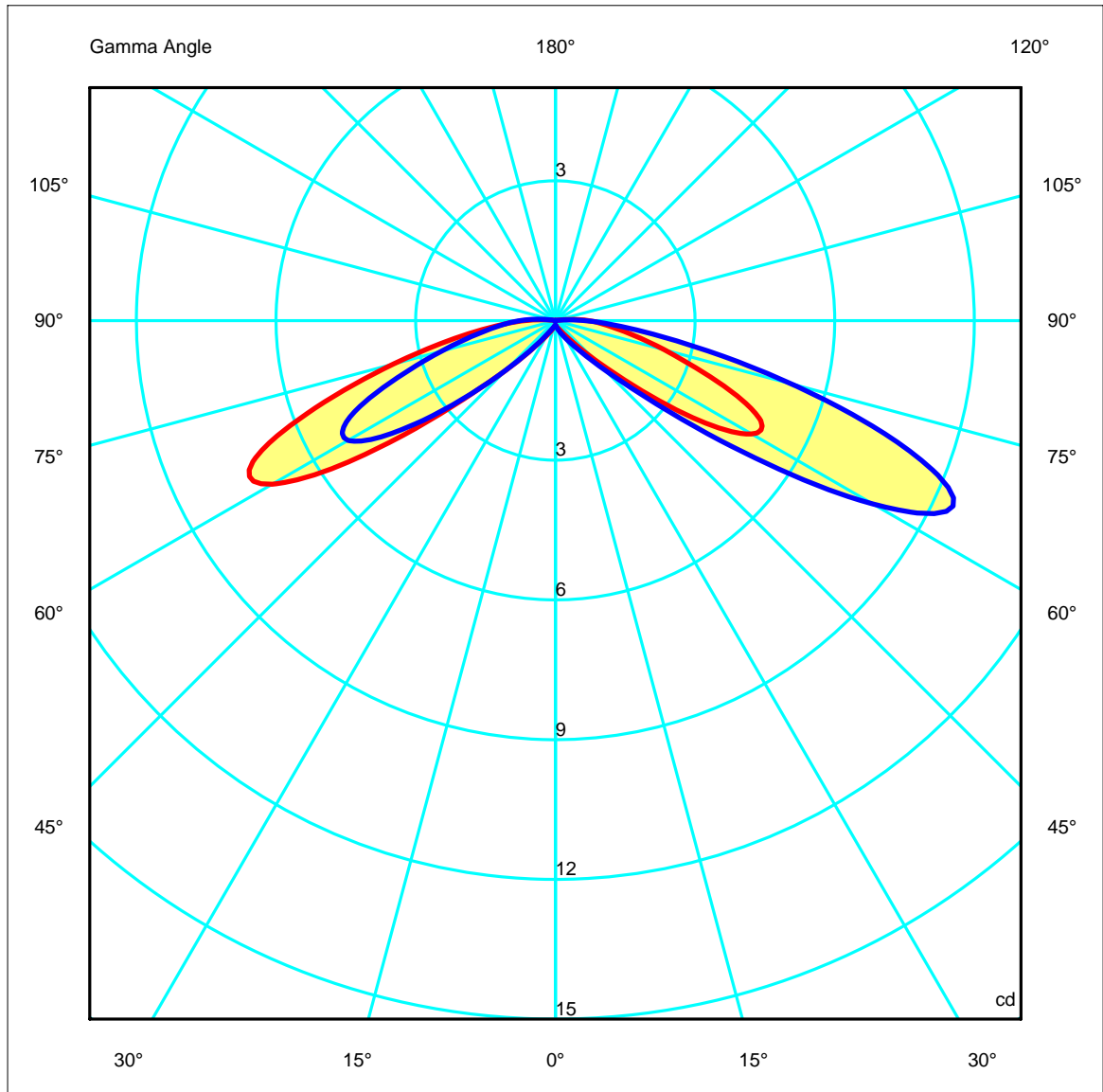
Luminaire		Measurement		Lamp	
Code	55-9424-Z5-T2	Code	55-9424-Z5-T2	Code	LAMP 55-9424-Z5-T2
Name	Uplight XENA 1.2 W Led 4 cares	Name	Uplight XENA 1.2W led 4 caras	Number	1
Line	- LEDS C4 LEDS	Date	23-12-2010	Position	Universal
Efficiency	99.96%	Coordinate system	C-G	Total Flux	13.11 lm
Maximum value	9.43 cd	Position	C=90.00 G=65.00		Asymmetrical

Diam=130mm

C Halfplanes

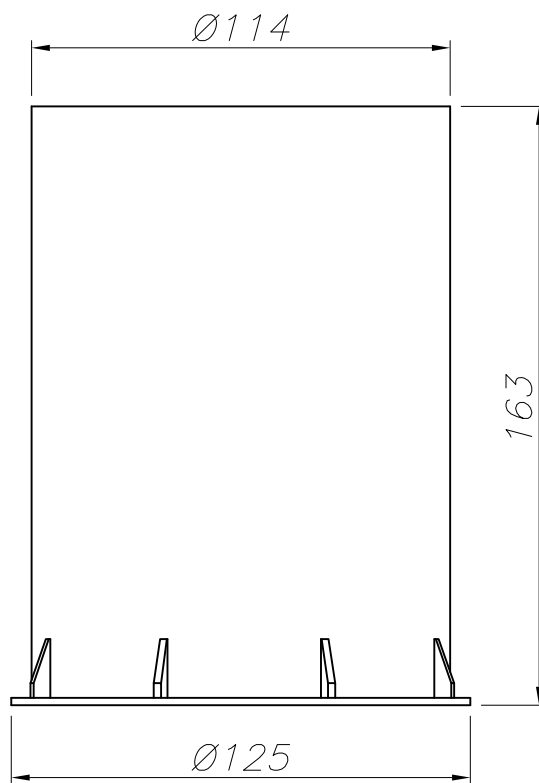
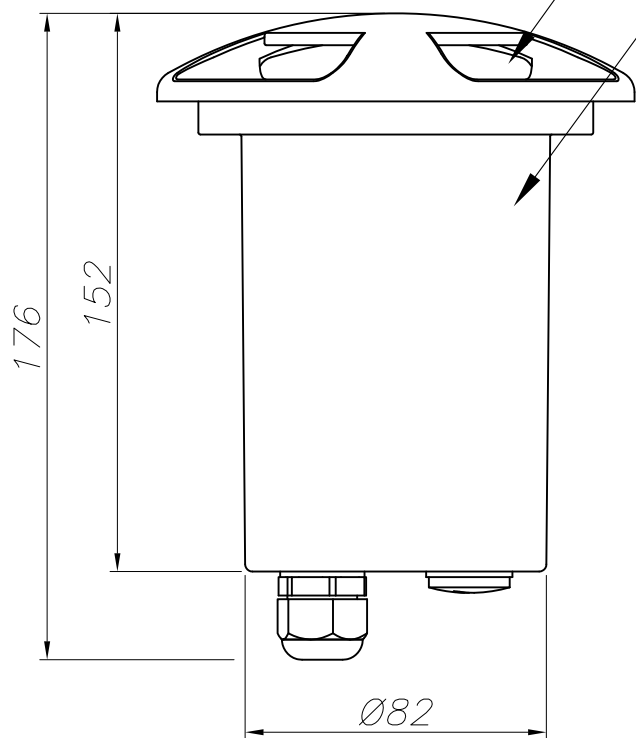


180.0 ——— 0.0  
270.0 ——— 90.0

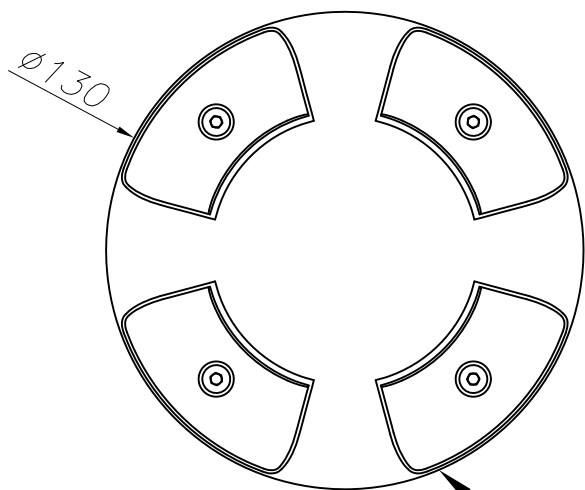


POLICARBONATO SEMITRASPARENTE MATE  
SEMITRASPARENT MATT POLYCARBONATE

TECNOPOLÍMERO  
TECHNOPOLYMER



CAJA DE EMPOTRAR  
FLUSH FITTING BOX



ALUMINIO DE ALTA PUREZA  
HIGH QUALITY ALUMINIUM

