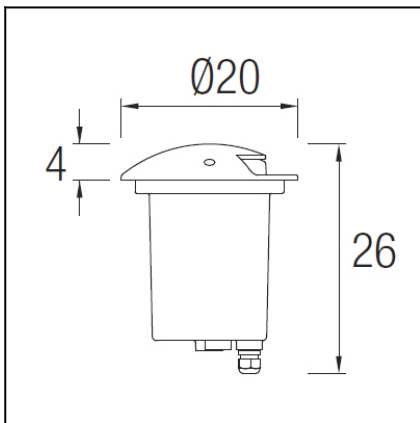




The photograph may not match the reference exactly. Please read the product description to identify the finish.



### DESCRIPTION

May be flush mounted into the floor. Body produced in techno-polymer, lamp head in high grade aluminium and diffuser in frosted polycarbonate. Available in 12 different versions depending on the number of panes (one, two or four), on the finish (light or dark grey) and the light source (E-27 or LED). This version includes a 4,100K signal LED with a total output of 128 lm and includes a 230V driver. The E-27 version is compatible with LED and compact fluorescent lights (not supplied). IP67 and IK10. Its wire outlets on both sides makes it suitable for an array installation. Includes flush mounting box. Option of separate purchase of a coloured reflector accessory.

### TECHNICAL CHARACTERISTICS

Type:	Downlight
IP Protection degrees:	IP67
IK Protection degrees:	IK10
Lampholder:	1 x E27
Power (W):	E27 max.20
Voltage / Frequency:	220-240V/50-60Hz
Warranty (Years):	2
Units per box:	4
Net Weight (Kg):	2.045
EAN:	8,43511E+12



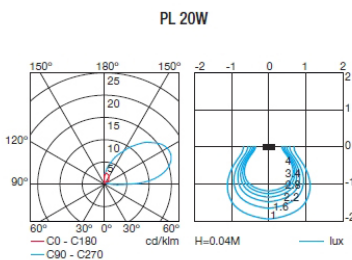
### MATERIALS / FINISHES

**Structure material:** High purity aluminium  
Technopolymer

**Diffuser material:** Polycarbonate

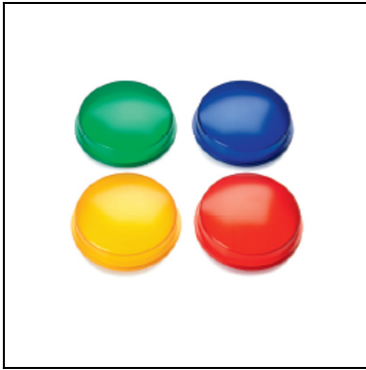
**Structure finish:** Grey

**Diffuser finish:** Matt



Download photometric file .ldt / .ies

71-9477-08-08

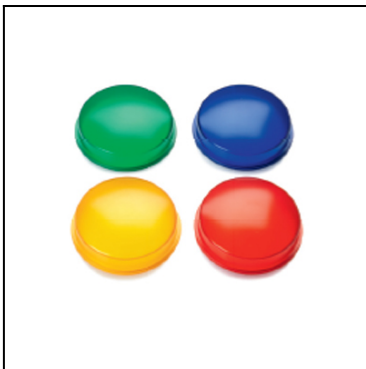
**Structure material:**

Polycarbonate

**Structure finish:**

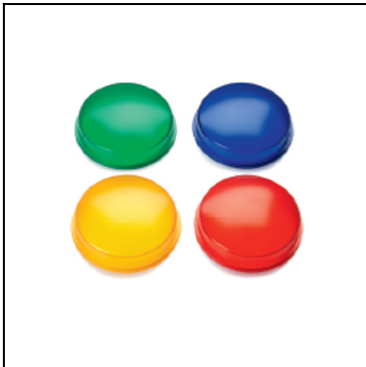
Green

71-9477-11-11

**Structure material:**

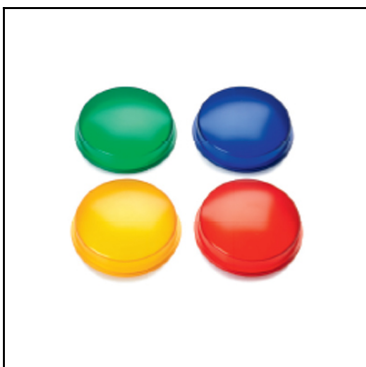
Polycarbonate

71-9477-24-24

**Structure material:**

Polycarbonate

71-9477-25-25

**Structure material:**

Polycarbonate

**Structure finish:**

Red

Report No.:

Test Time: 2013-1-19 13:15

## Luminaire Property

Luminaire Manufacturer: LEDS-C4  
 Luminaire Category:  
 Lamp Catalog:  
 Number of Lamps: 1  
 Luminous Length (mm): 100  
 Luminous Height (mm): 8  
 Current: 0.135 A  
 Power Factor: 0.614

Luminaire Description: 55-9426  
 Lamp Description: E27  
 Lumens per Lamp: 900  
 Luminous Width (mm): 20  
 Voltage: 220.8 V  
 Power: 18.40 W

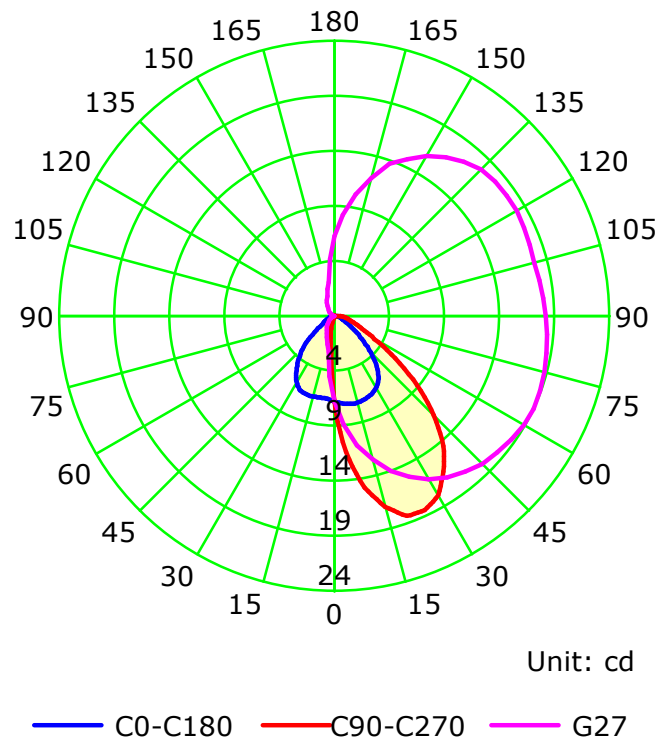
## Photometric Results

CIE Class: Direct  
 Measurement Flux: 23.1 lm  
 Downward Ratio: 2.57%  
 Horizontal Diffuse Angle(10%,50%): H131.4,H92.6  
 Vertical Diffuse Angle(10%,50%): V89.2,V54.6  
 Luminaire Efficacy Rating (LER): 1  
 Max. Intensity: 19.54 cd

Total Rated Lamp Lumens: 900.0 lm  
 Efficiency: 2.57%  
 Upward Ratio: 0.00%  
 Central Intensity: 7.61 cd  
 Pos of Max. Intensity: H65 V27

Picture Of Luminaire ...

Luminous Intensity Distribution Curve

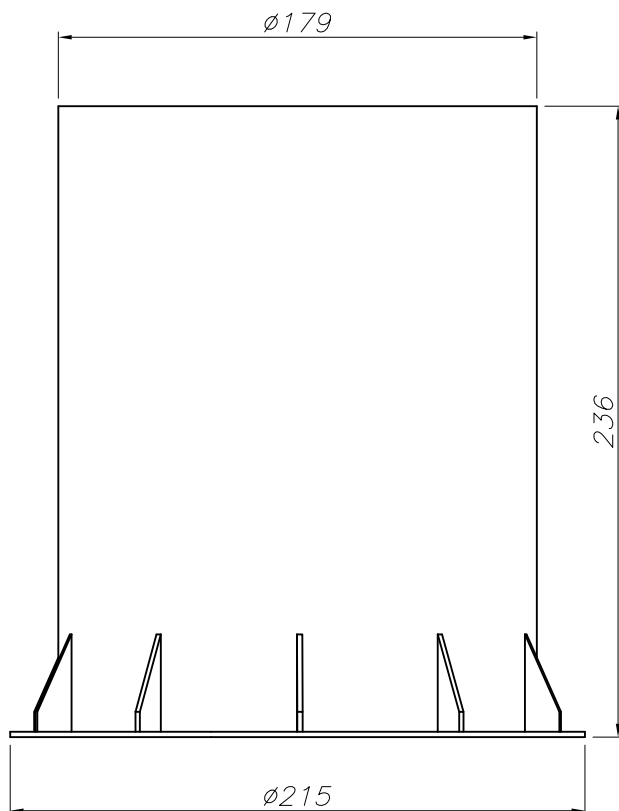
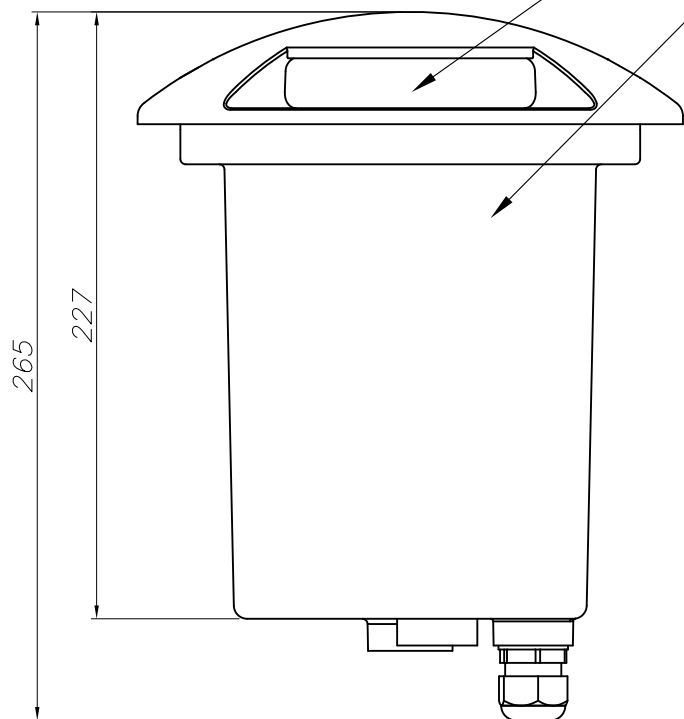


C Plane (°):0.0-360.0: 5.0  
 Test Lab: INVENTFINE  
 Test Type: TYPE C  
 Temperature:  
 Operator:

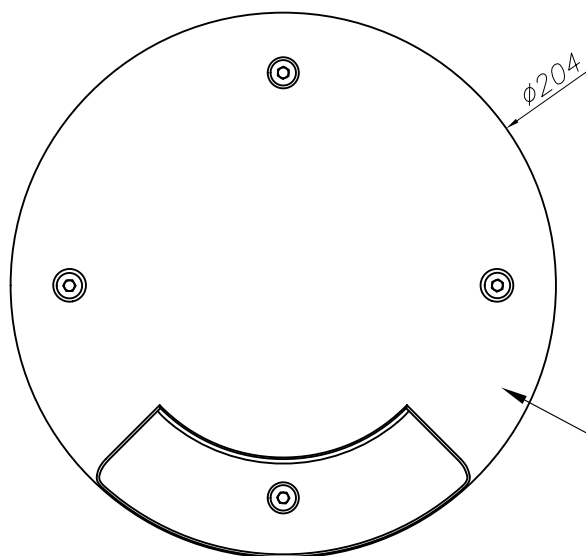
Gamma Plane (°):0.0-180.0:1.0  
 Test Device: GPM-1800B  
 Distance: 1.871 m  
 Humidity:  
 Inspector:

POLICARBONATO SEMITRASPARENTE MATE  
SEMITRANSSPARENT MATT POLYCARBONATE

TECNOPOLÍMERO  
TECHNOPOLYMER



CAJA DE EMPOTRAR  
FLUSH FITTING BOX



ALUMINIO DE ALTA PUREZA  
HIGH QUALITY ALUMINIUM

