

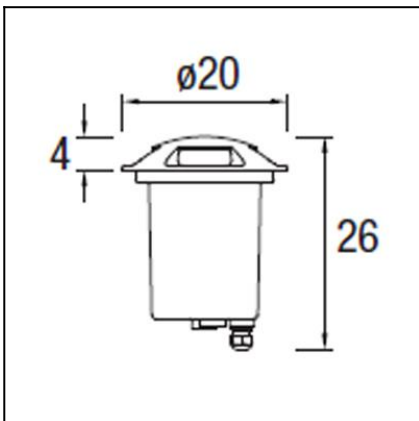
OUT 

XENA

55-9428-Z5-T2

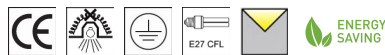


The photograph may not match the reference exactly. Please read the product description to identify the finish.



TECHNICAL CHARACTERISTICS

Type:	Downlight
IP Protection degrees:	IP67
IK Protection degrees:	IK10
Lampholder:	1 x E27
Power (W):	E27 MAX 20W
Total power consumption (W):	20
Voltage / Frequency:	230V/50-60Hz
Warranty (Years):	2
Units per box:	4
Net Weight (Kg):	2.185
EAN:	8435111076125,00



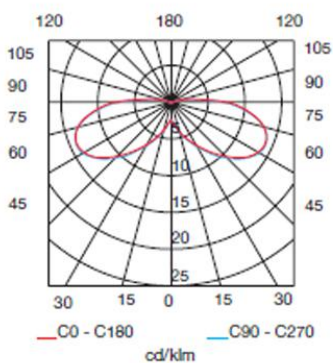
MATERIALS / FINISHES

Structure material: High purity aluminium
Technopolymer

Diffuser material: Polycarbonate

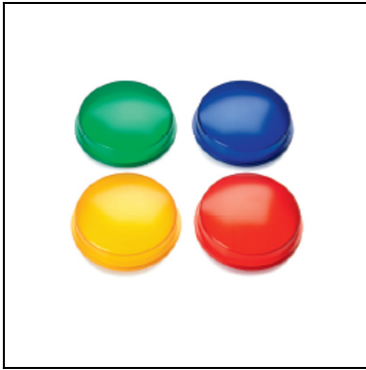
Structure finish: Urban grey

Diffuser finish: Matt



Download photometric file .ldt /.ies

71-9477-08-08

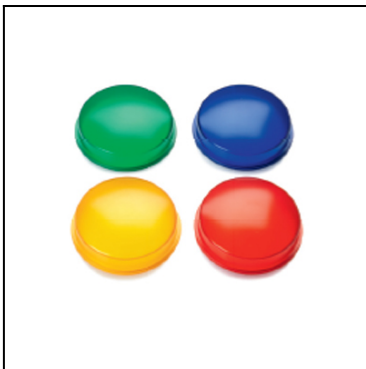
**Structure material:**

Polycarbonate

Structure finish:

Green

71-9477-08-08

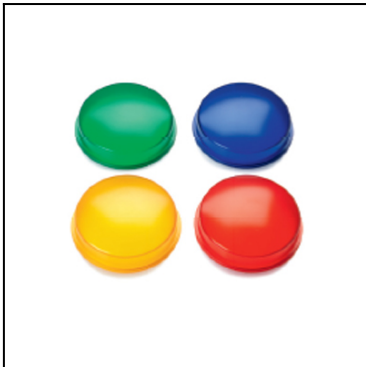
**Structure material:**

Polycarbonate

Structure finish:

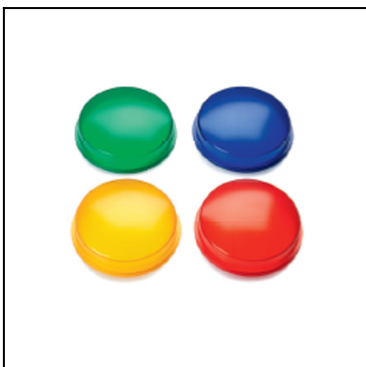
Green

71-9477-24-24

**Structure material:**

Polycarbonate

71-9477-25-25

**Structure material:**

Polycarbonate

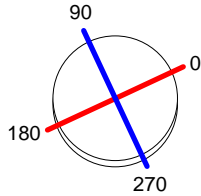
Structure finish:

Red

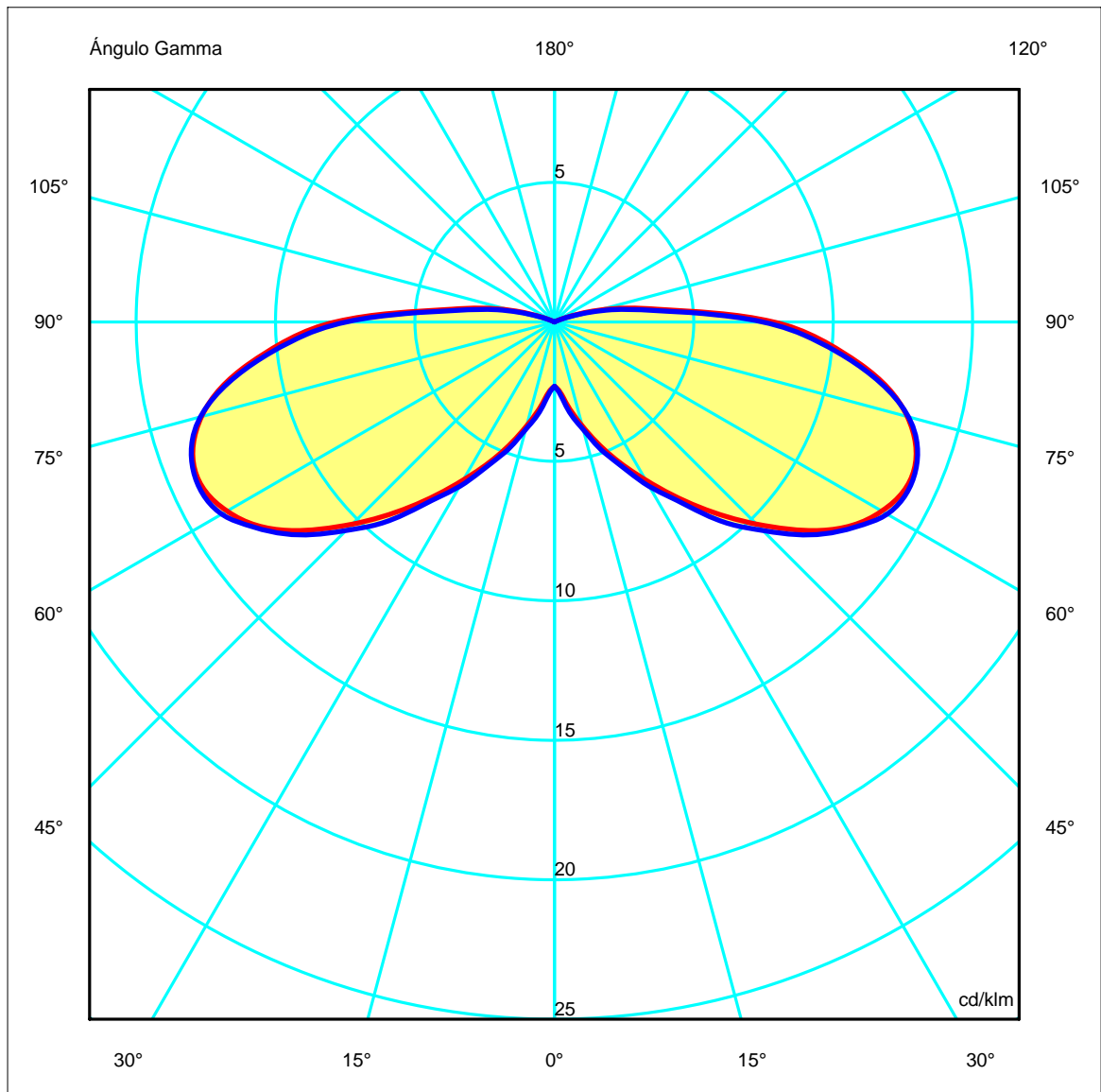
Luminaria		Ensayo		Lámpara	
Código	55-9428	Código	55-9428	Código	PLET20DL
Nombre	Uplight 20W TC-TSE opal 4 vent	Nombre	Uplight 20W TC-TSE E27 4 obert	Número	1
Familia	- LEDS-C4	Fecha	25-11-2009	Posición	Universal
Eficiencia	5.77%	Sist. de Coorden.	C-G	Flujo Total	1100.00 lm
Valor Máximo	14.05 cd/klm	Posición	C=90.00 G=65.00		Bisimétrico

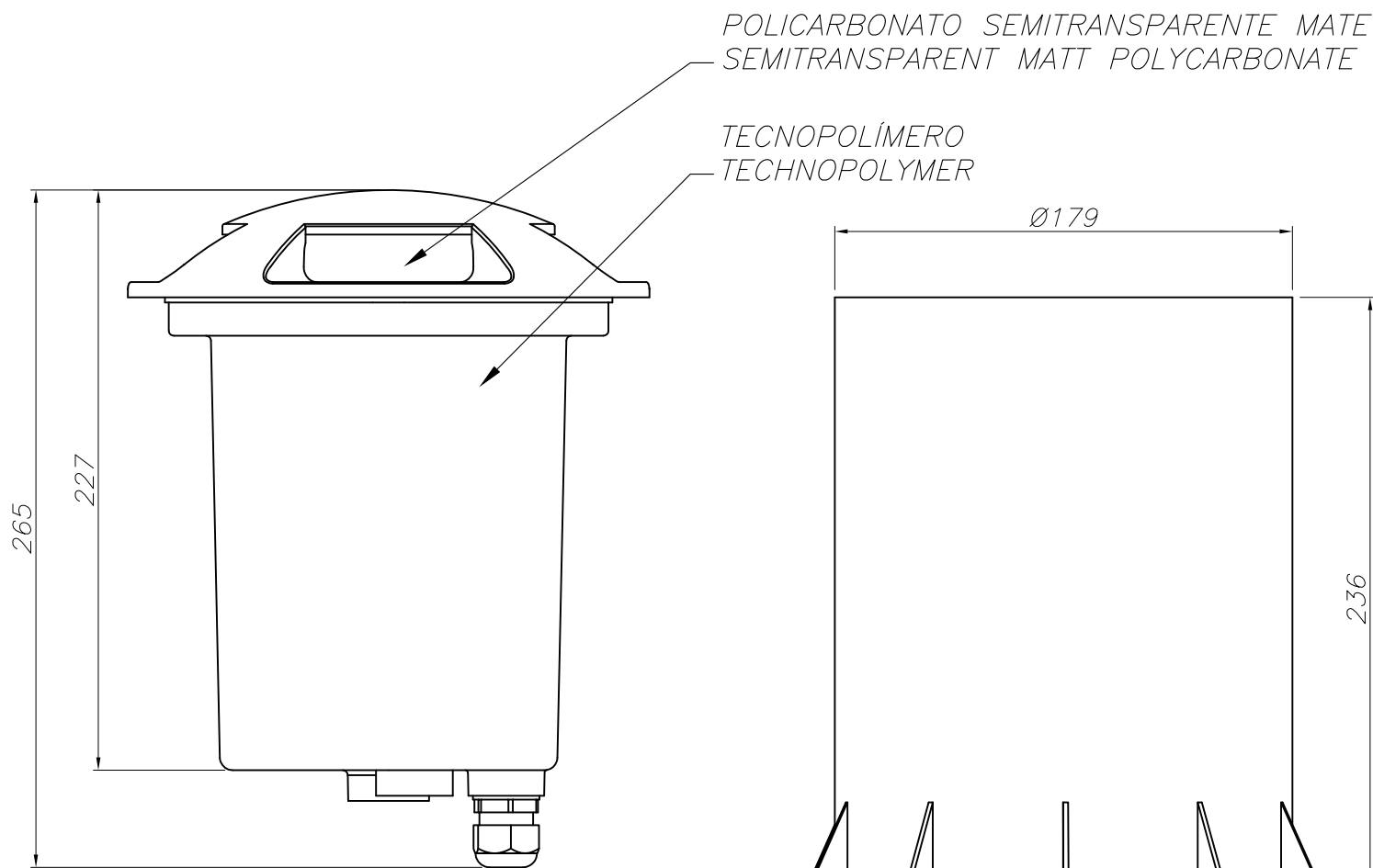
Diam=205mm Incasso

Semiplanos C



180.0 ——— 0.0
270.0 ——— 90.0





CAJA DE EMPOTRAR
FLUSH FITTING BOX

