



The photograph may not match the reference exactly. Please read the product description to identify the finish.

[Download photometric file .ldt /.ies](#)

DESCRIPTION

May be flush mounted into the floor. Body produced in injected aluminium, with an AISI 304 stainless steel surround and a frosted glass diffuser. For a fluorescent bulb light source (2 x GX24d-3 26W). BAG 230V electronic components included. Its wire outlets on both sides makes it suitable for an array installation. Includes flush mounting box.

TECHNICAL CHARACTERISTICS

Type:	Uplight
IP Protection degrees:	IP67
IK Protection degrees:	IK08
Voltage / Frequency:	230V/50Hz
Units per box:	2
Net Weight (Kg):	4.45
EAN:	8435111075234



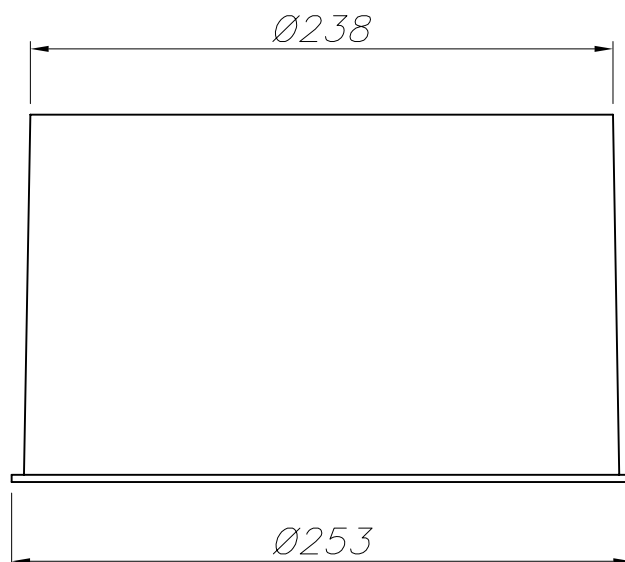
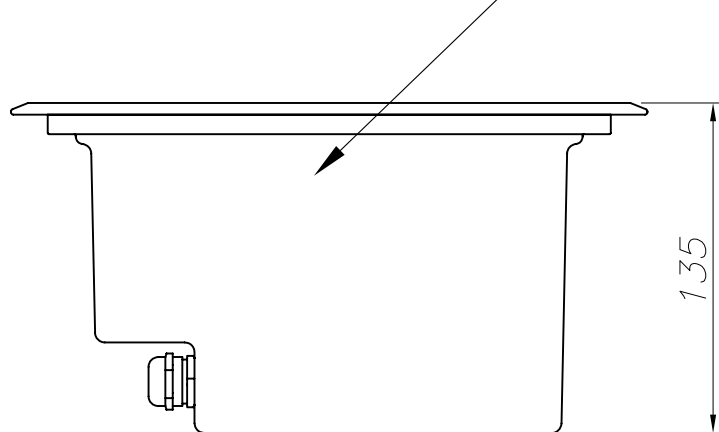
MATERIALS / FINISHES

Structure material: Stainless steel
 AISI304
 High purity aluminium

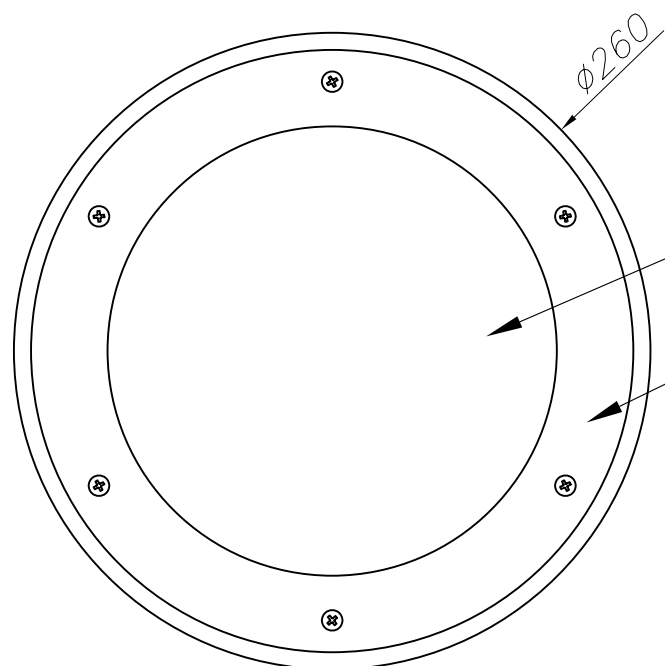
Diffuser material: Glass

Diffuser finish: Tempered

ALUMINIO INYECTADO
INJECTED ALUMINUM



CAJA DE EMPOTRAR
FLUSH FITTING BOX



CRISTAL ARENADO INTERIOR
INSIDE SANDFROSTED GLASS

ACERO INOXIDABLE AISI 304
STAINLESS STEEL AISI 304

