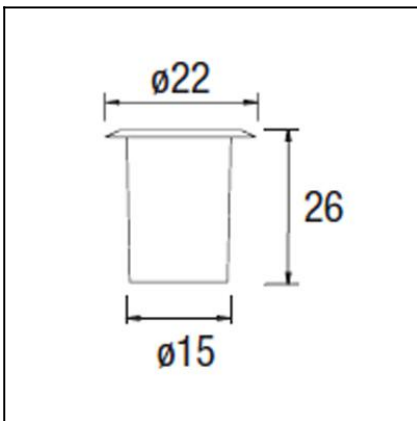




The photograph may not match the reference exactly. Please read the product description to identify the finish.

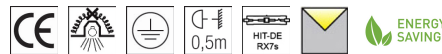


**DESCRIPTION**

May be flush mounted asymmetrically into the floor. Body produced in injected aluminium, with an AISI 316 stainless steel surround and a clear glass diffuser. For G12 70W light source. Its wire outlets on both sides makes it suitable for an array installation. Includes flush mounting box.

**TECHNICAL CHARACTERISTICS**

Type:	Uplight
IP Protection degrees:	IP67
IK Protection degrees:	IK08
Lampholder:	1 x Rx7s
Power (W):	Rx7s HIT-DE-70W
Voltage / Frequency:	230V/50Hz
Units per box:	2
Net Weight (Kg):	5.24
EAN:	8435111075258

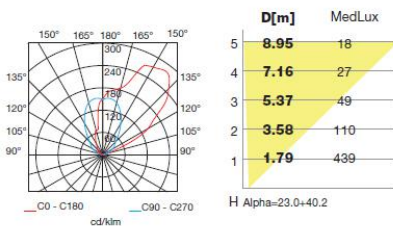


**MATERIALS / FINISHES**

**Structure material:** Stainless steel  
 AISI304  
 Injected aluminium

**Diffuser material:** Glass

**Diffuser finish:** Tempered

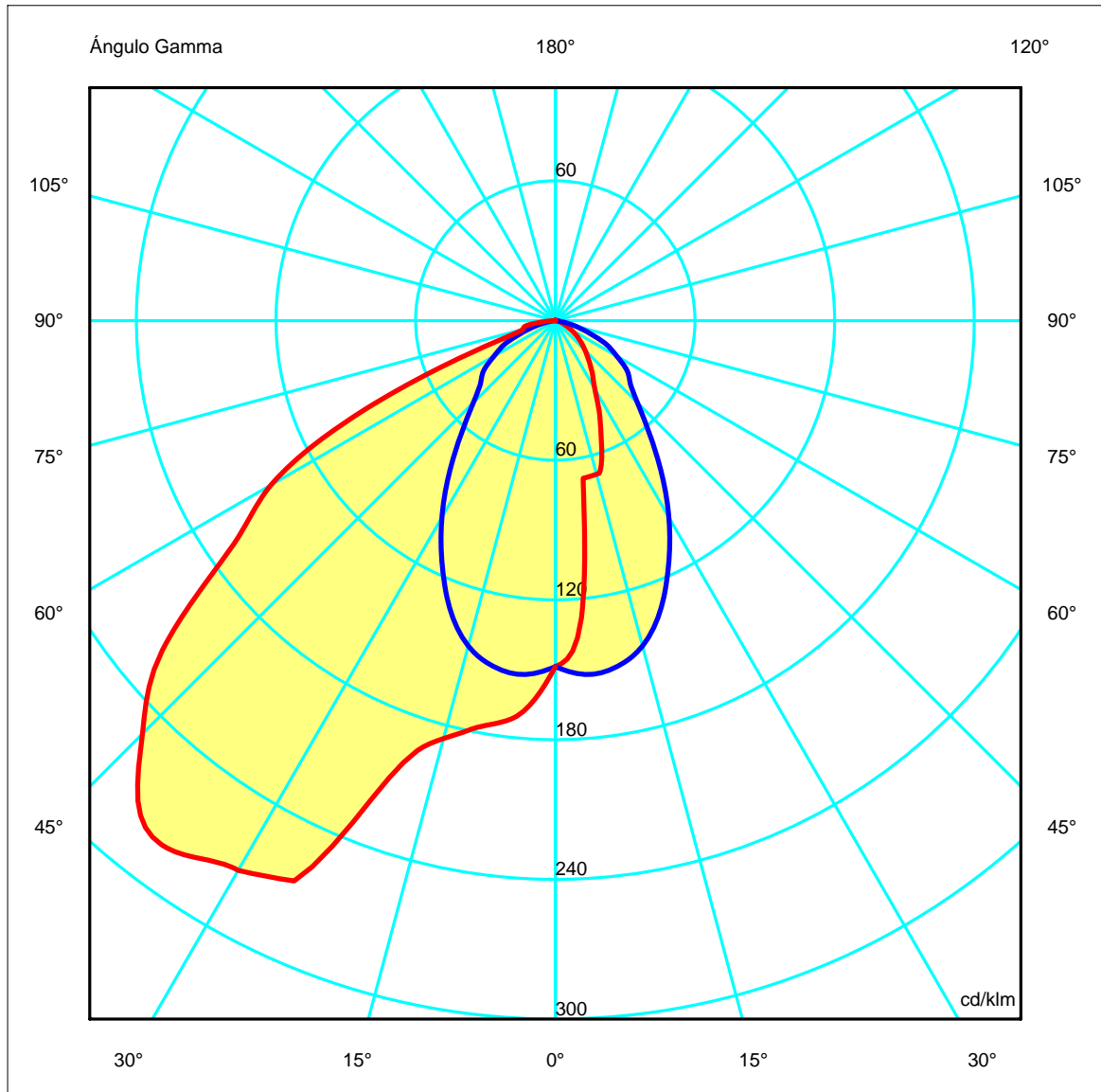
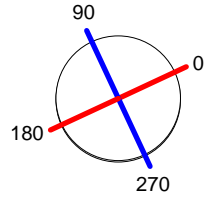


Download photometric file .ldt / .ies

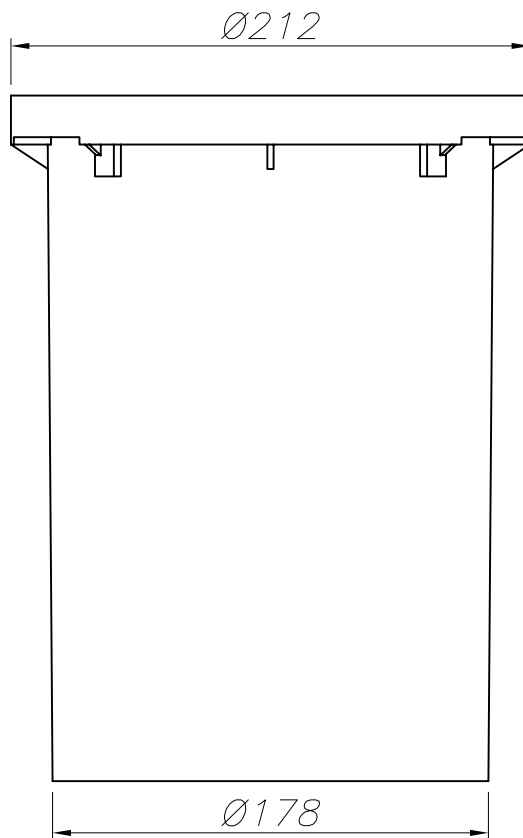
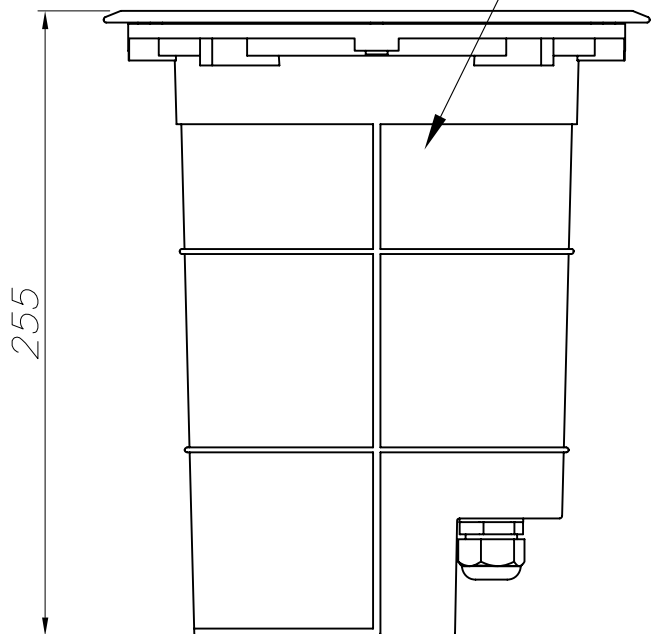
<b>Luminaria</b>		<b>Ensayo</b>		<b>Lámpara</b>	
Código	55-9433	Código	55-9433	Código	CDMTD70/830
Nombre	Uplight indirecta 70W HM RX7s	Nombre	Uplight indirecta 70W HM RX7s	Número	1
Familia	- LEDS-C4	Fecha	25-11-2009	Posición	Universal
Eficiencia	37.48%	Sist. de Coorden.	C-G	Flujo Total	6500.00 lm
Valor Máximo	279.68 cd/klm	Posición	C=180.00 G=35.00	Sim. en los planos	0-180

Diam=223mm Incasso

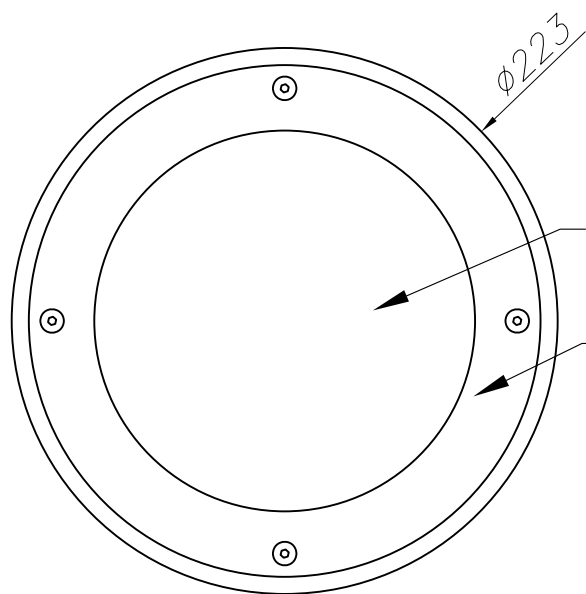
Semiplanos C



ALUMINIO INYECTADO  
INJECTED ALUMINUM



CAJA DE EMPOTRAR  
FLUSH FITTING BOX



CRISTAL TRANSPARENTE  
TRANSPARENT GLASS

ACERO INOXIDABLE AISI 304  
STAINLESS STEEL AISI 304

