

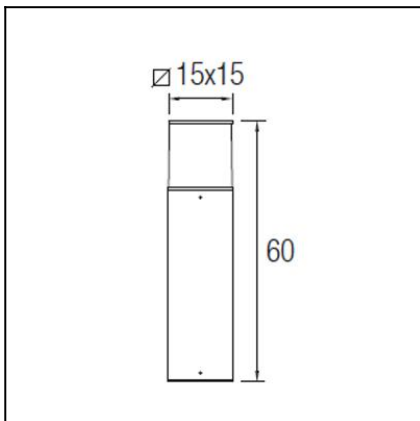
OUT 

CUBIK

55-9488-34-M3

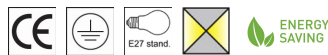


The photograph may not match the reference exactly. Please read the product description to identify the finish.



TECHNICAL CHARACTERISTICS

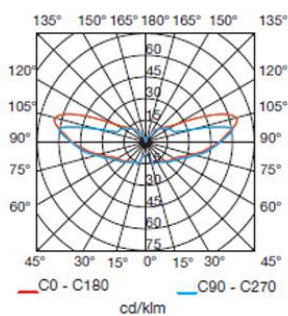
Type:	Beacon
IP Protection degrees:	IP54
IK Protection degrees:	IK10
Lampholder:	1 x E27
Power (W):	E27 MAX 60W
Total power consumption (W):	60
Voltage / Frequency:	230V/50-60Hz
Units per box:	2
Net Weight (Kg):	3.195
EAN:	8435111082072



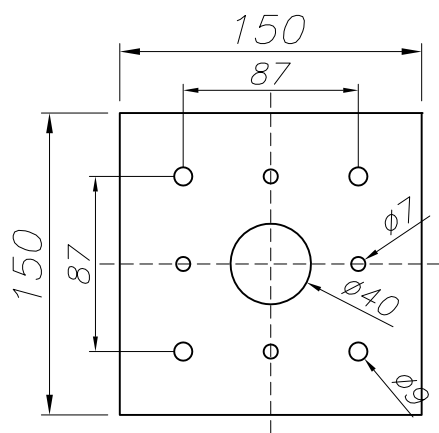
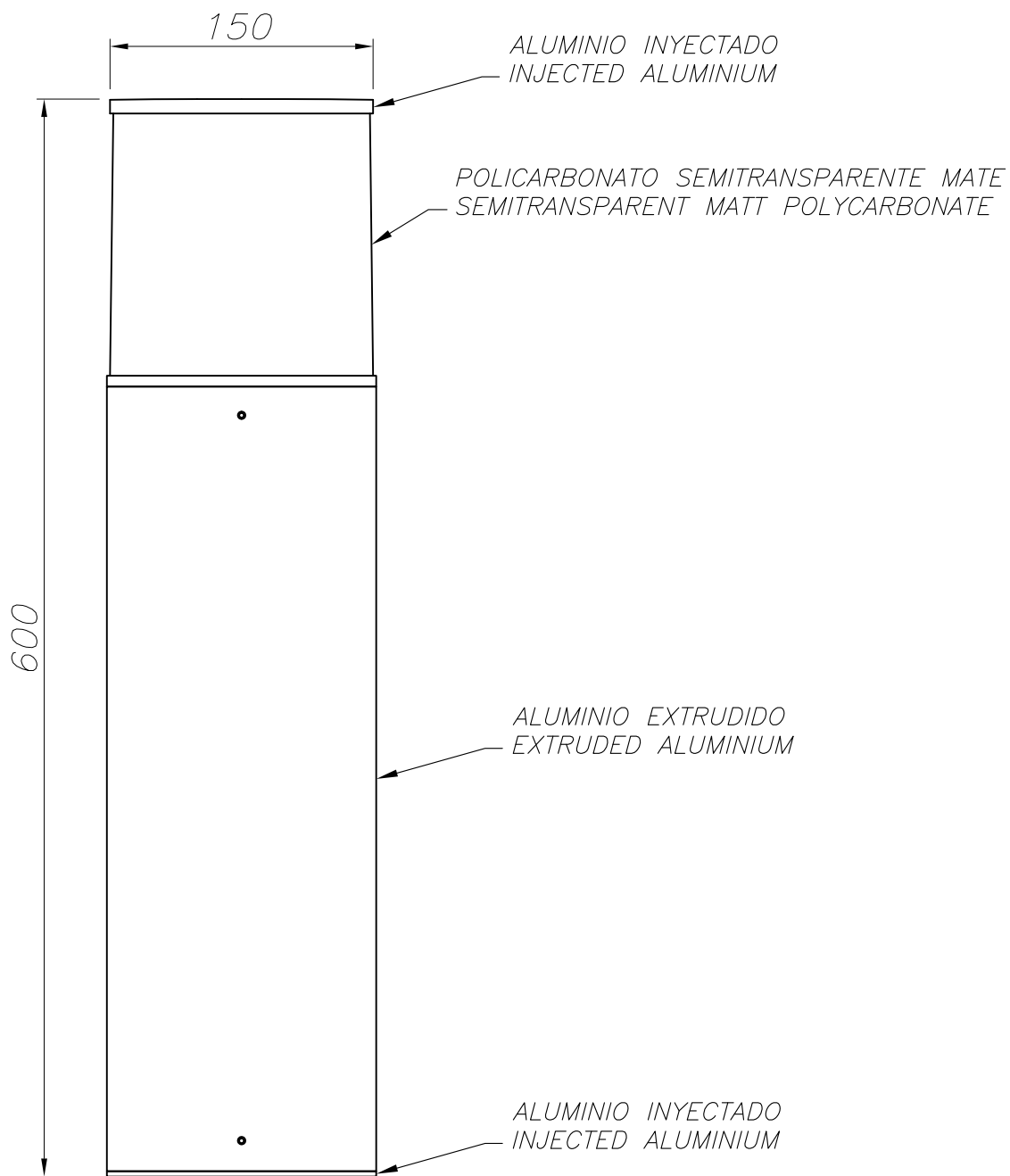
MATERIALS / FINISHES

Structure material:	High purity aluminium	Diffuser material:	Polycarbonate
Structure finish:	Grey	Diffuser finish:	Matt

PL 13W



Download photometric file .ldt / .ies



PLANTILLA DE INSTALACION
INSTALLATION TEMPLATE

