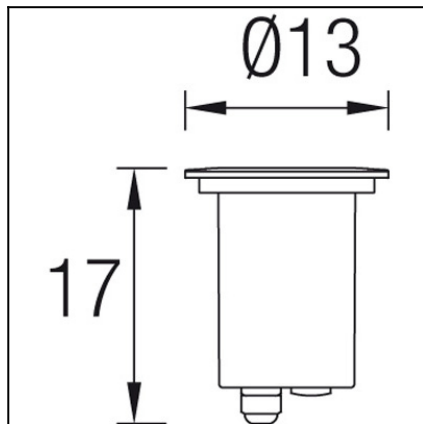


OUT 
GEA
55-9567-Z5-37


The photograph may not match the reference exactly. Please read the product description to identify the finish.

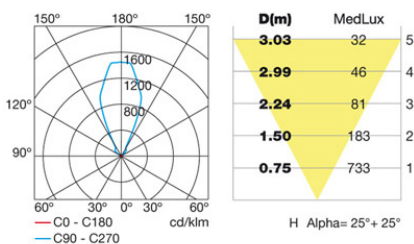
TECHNICAL CHARACTERISTICS

Type:	Uplight
IP Protection degrees:	IP67
IK Protection degrees:	IK08
Recessed in-ground suitable for pedestrian crossing:	Si
Lampholder:	1 x GU10
Power (W):	GU10 max. 50W
Voltage / Frequency:	220-240V/50-60Hz
Units per box:	12
Net Weight (Kg):	0.69
EAN:	8435111088777

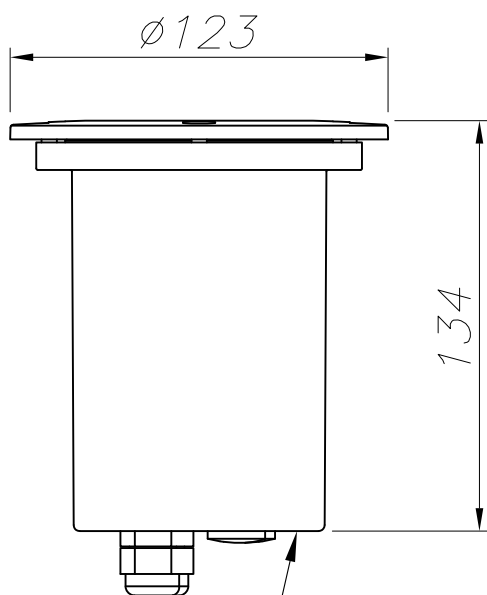

MATERIALS / FINISHES

Structure material: Technopolymer
Structure finish: Urban grey

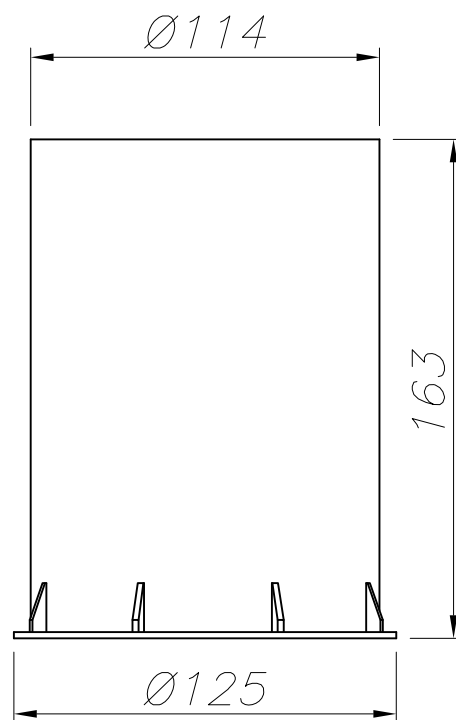
Diffuser material: Glass
Diffuser finish: Tempered



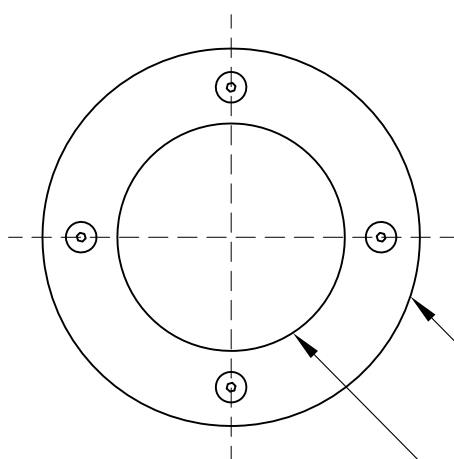
Download photometric file .ldt / .ies



PP REFORZADO CON FIBRA DE VIDRIO
 FIBERGLASS REINFORCED PP



CAJA DE EMPOTRAR
 FLUSH FITTING BOX



PP REFORZADO FIBRA DE VIDRIO,
 ACABADO MATE
 FIBERGLASS REINFORCED PP, MATT FINISH

CRISTAL TEMPLADO TRANSPARENTE
 TEMPERED TRANSPARENT GLASS

