

OUT 

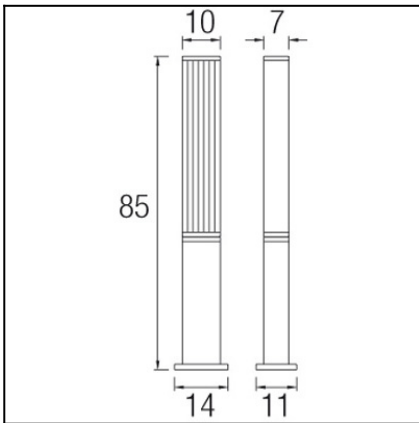
TINA

55-9582-34-M3

Design by Nahtrang Design



The photograph may not match the reference exactly. Please read the product description to identify the finish.



TECHNICAL CHARACTERISTICS

| | |
|---------------------------------------|------------------|
| Type: | Beacon |
| Adjustable 360° on the vertical axis. | |
| IP Protection degrees: | IP54 |
| IK Protection degrees: | IK07 |
| Lampholder: | 1 x 2G11 |
| Power (W): | 2G11 36 |
| Voltage / Frequency: | 220-240V/50-60Hz |
| Units per box: | 2 |
| Net Weight (Kg): | 2.17 |
| EAN: | 8435111089835 |



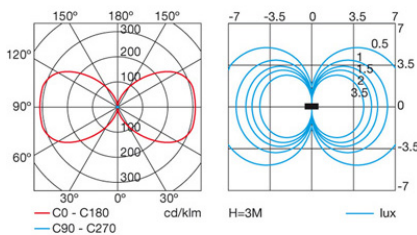
MATERIALS / FINISHES

Structure material: Extruded aluminium
Structure finish: Grey

Diffuser material: Polycarbonate
Diffuser finish: Matt

GEAR

Gear included: Yes, electronic

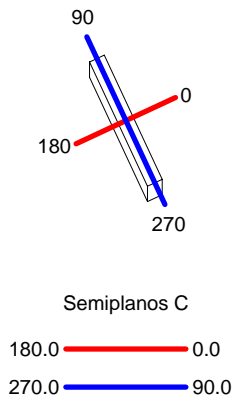


Download photometric file .ldt /.ies

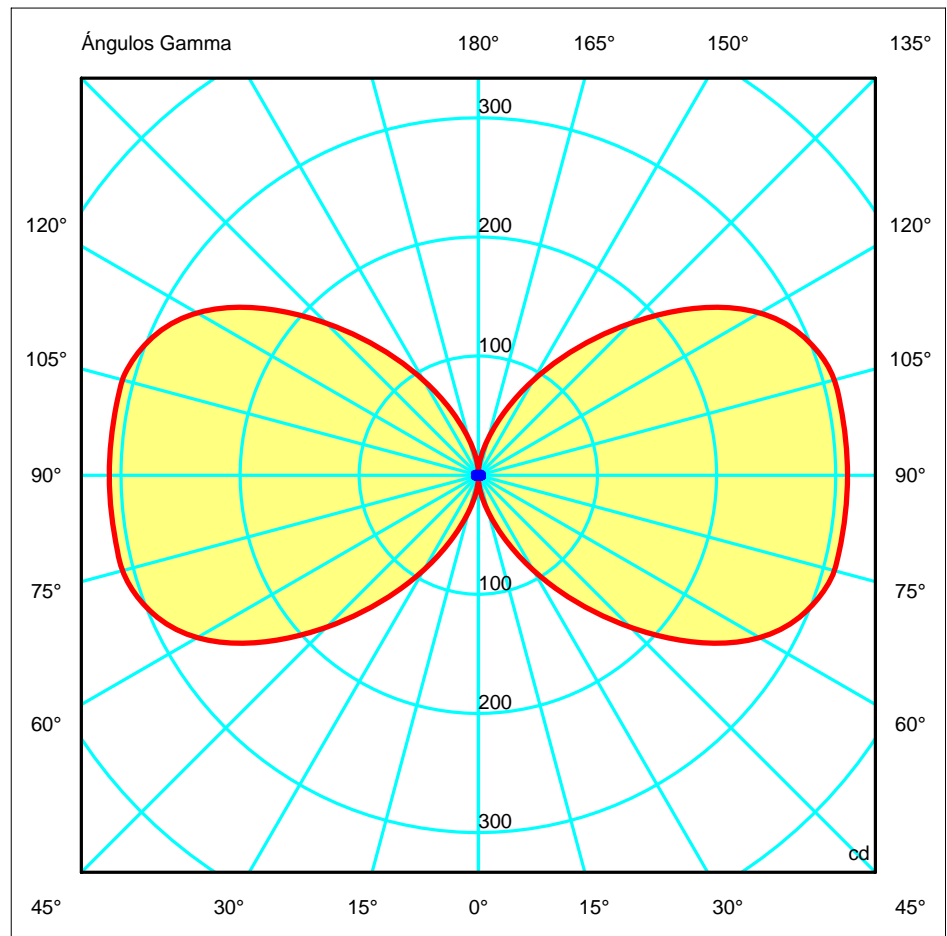
| | | | | | | |
|----------------------------|-------------------------------|-------------------------|------------------------------|-------------------------------|------------------|-------------|
| Luminaria | | Ensayo | | Lámpara | | |
| Código | 55-9582 | Código | 55-9581 | Código | DULUX L 36 W/840 | |
| Nombre | Baliza 36W TC-L dif. metacril | Nombre | Baliza 36W TC-L dif. metacr. | Número | 1 | |
| Familia | - LEDS-C4 | Fecha | 17-11-2011 | Posición | Universal | |
| Rendimiento | 53.61% | Sist. de Coorden. | C-G | Flujo Total | 2900.00 lm | |
| Valor Máximo | 309.89 cd | Posición | C=0.00 G=90.00 | | Asimétrico | |
| Luminaria Rectangular | Longit. | 860 mm | Anchura | 102 mm | Altura | 67 mm |
| Área Luminosa Rectangular | Longit. | 466 mm | Anchura | 80 mm | Altura | 67 mm |
| Área Luminosa Horizontal | | 0.037280 m2 | | Área Emisión sobre Pl. 180° | | 0.031222 m2 |
| Área Emisión sobre Pl. 0° | | 0.031222 m2 | | Área Emisión sobre Pl. 270° | | 0.005360 m2 |
| Área Emisión sobre Pl. 90° | | 0.005360 m2 | | Área de deslumbramiento a 76° | | 0.039313 m2 |
| Tipo de Simetría | Asimétrico | Máximo Ángulo Gamma | 180 | | | |
| Distancia de Ensayo | 6.44 | Flujo de Ensayo | 2900.00 lm | | | |
| Operador | Asselum T2 | Tensión de alimentación | 230.00 V | | | |
| Temperatura | 22.00 °C | Corr. aliment. | | | | |
| Humedad | 50.00 % | Fotocélula | PRC | | | |
| Notas | | | | | | |

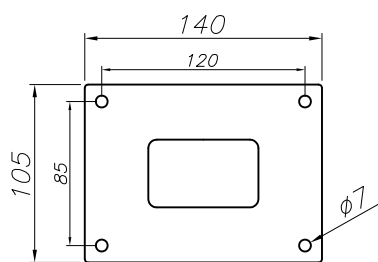
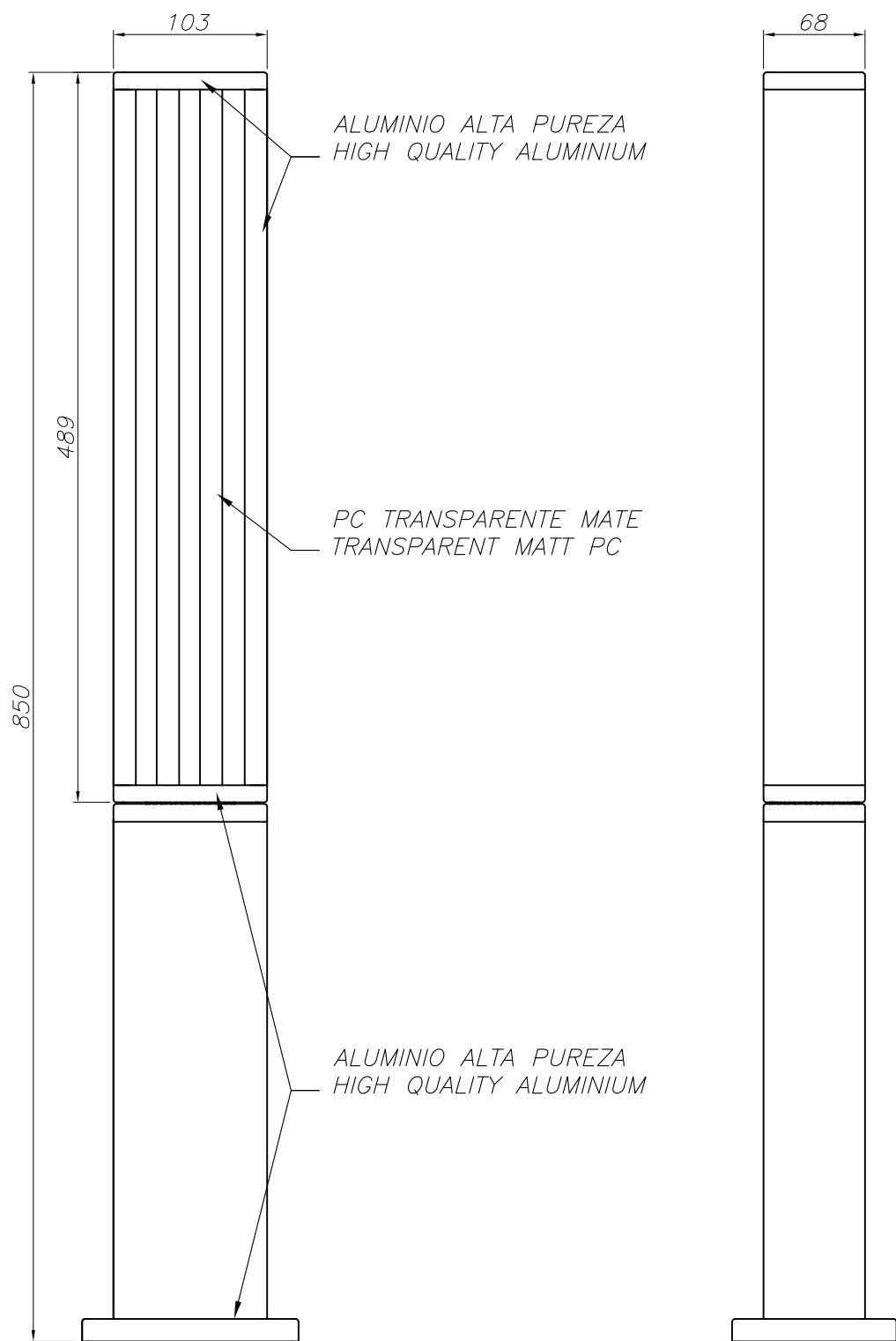
| Lámparas de la Luminaria | | | | | |
|------------------------------|------------------|-----------------------|----------|-------|-------|
| Familia | Código | Nombre | Flujo/lm | Pot.W | Cant. |
| OSRAM 2006 FB,T,G,C,FS,Q,M,D | DULUX L 36 W/840 | DULUX® L 36W/840 2G11 | 2900.00 | 36.00 | 1 |
| C.I.E. | 10 33 65 50 54 | D DIN 5040 | | | |
| F UTE | -- | B NBN | | | |
| | | C11 | | | |
| | | BZ 10 | | | |

860mm x 102mm



ULOR 26.80 %
DLOR 26.80 %
RN 50.00 %





PLANTILLA DE INSTALACIÓN
INSTALLATION TEMPLATE

