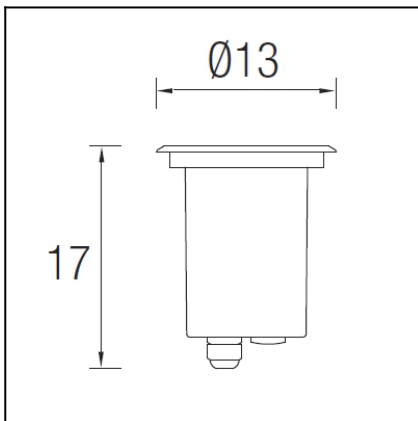




The photograph may not match the reference exactly. Please read the product description to identify the finish.



DESCRIPTION

May be flush mounted into the floor. Body produced in techno-polymer, with an AISI 316 stainless steel surround and a tempered glass diffuser. For MR-16 12V AC light source, compatible with LED, compact fluorescent and halogen lamps. Can be rotated by $\pm 15^\circ$. Its wire outlets on both sides makes it suitable for an array installation. Includes flush mounting box.

TECHNICAL CHARACTERISTICS

Type:	Downlight
Adjustable $\pm 15^\circ$ on the vertical axis	
IP Protection degrees:	IP67
IK Protection degrees:	IK08
Recessed in-ground suitable for pedestrian crossing:	Si
Lampholder:	1 x GU5.3
Power (W):	GU5.3 max.50
Voltage / Frequency:	12VAC
Warranty (Years):	2
Units per box:	8
Net Weight (Kg):	0.77
EAN:	8,43511E+12



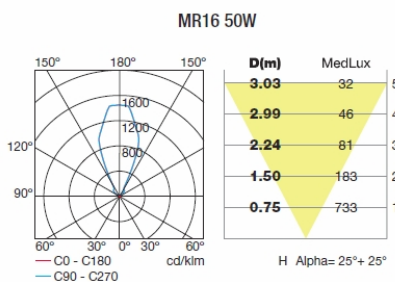
MATERIALS / FINISHES

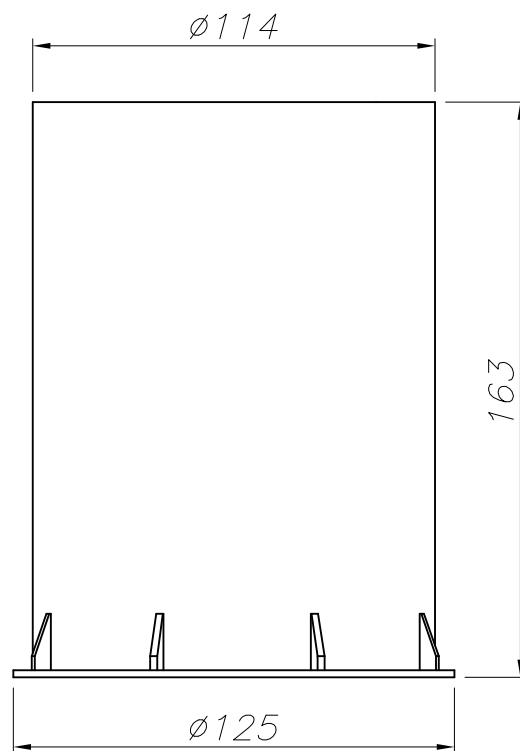
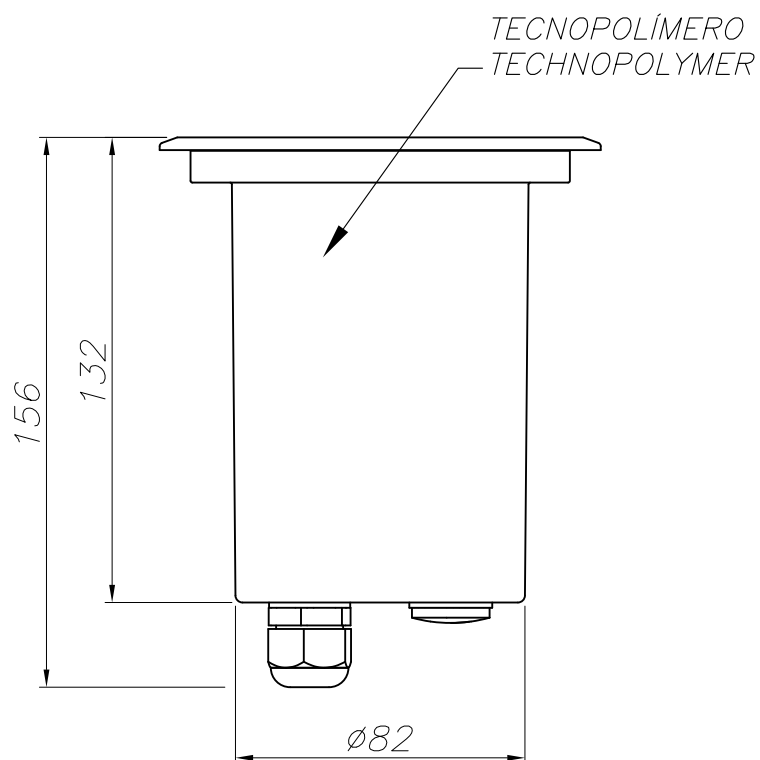
Structure material:	Stainless steel AISI316 Technopolymer	Diffuser material: Glass
		Diffuser finish: Tempered

GEAR

Necessary equipment not included. For more information check website / catalogs / sales organization.

Download photometric file .ldt / .ies





CAJA DE EMPOTRAR
FLUSH FITTING BOX

