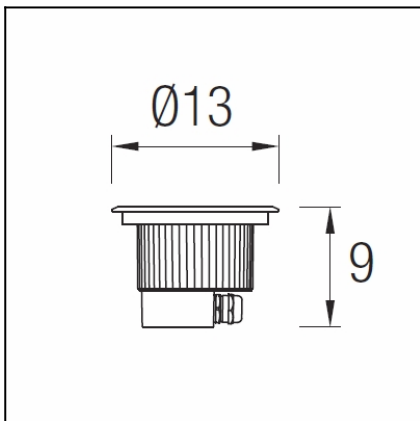




The photograph may not match the reference exactly. Please read the product description to identify the finish.



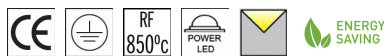
[Download photometric file .ldt /.ies](#)

### DESCRIPTION

May be flush mounted into the floor. Body produced in injected aluminium, with an AISI 316 stainless steel surround and a clear glass diffuser. LED light source comprising 4,200 PHILIPS POWER LED or RGB light. Offered in two sizes and different wattages. Beam aperture of 25°. Driver included (100-240V) for the white LED versions. The RGB version requires EASY RGB controllers available only from the LEDS-C4 Outdoor catalogue. Includes 3000K warm light filter and a light diffuser filter. Its wire outlets on both sides makes it suitable for an array installation. It can be rotated by +/- 15°. Compact design (only 9cm deep).

### TECHNICAL CHARACTERISTICS

Type:	Downlight
Adjustable $\pm 15^\circ$ on the vertical axis	
IP Protection degrees:	IP67
IK Protection degrees:	IK08
Bulb:	3 x LED Philips. Neutral white - 4200K
Power (W):	1
Total power consumption (W):	4.3
Luminous efficacy (Lm/W):	120
Angle Optiques:	25°
Voltage / Frequency:	100-240V/50-60Hz
Warranty (Years):	2
Option to extend the guarantee:	Yes, 5 years
Units per box:	4
Net Weight (Kg):	1.05
EAN:	8435381400200,00



### MATERIALS / FINISHES

**Structure material:** Stainless steel AISI316  
High purity aluminium

**Diffuser material:** Glass

Black

**Diffuser finish:** Tempered

### GEAR

Multi-voltage electronic gear included (110-240 V / 50-60 Hz)

Report No.: 20130408002

Test Time: 2013-04-08 11:21

## Luminaire Property

Luminaire Manufacturer: LEDS-C4  
 Luminaire Category:  
 Lamp Catalog:  
 Number of Lamps: 3  
 Luminous Length (mm): 75  
 Luminous Height (mm): 5  
 Current: 0.041 A  
 Power Factor: 0.463

Luminaire Description: 55-9663  
 Lamp Description: LED  
 Lumens per Lamp: 100  
 Luminous Width (mm): 75  
 Voltage: 219.9 V  
 Power: 4.20 W

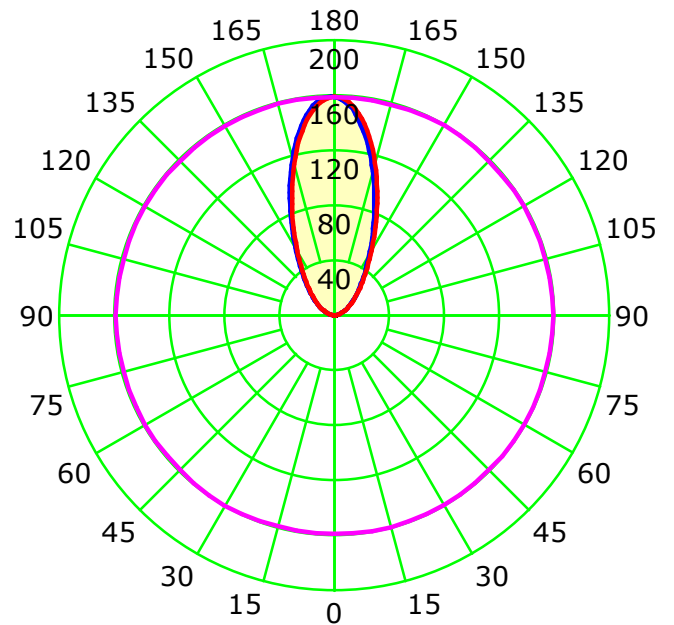
## Photometric Results

CIE Class: Indirect  
 Measurement Flux: 148.9 lm  
 Downward Ratio: 0.00%  
 Field Angle: H109.1 V108.1  
 Luminaire Efficacy Rating (LER): 35  
 Max. Intensity: 160.7 cd

Total Rated Lamp Lumens: 300.0 lm  
 Efficiency: 49.64%  
 Upward Ratio: 49.64%  
 Beam Angle: H45.1 V45.5  
 Central Intensity: 159.75 cd  
 Pos of Max. Intensity: H150 V180

Picture Of Luminaire ...

Luminous Intensity Distribution Curve

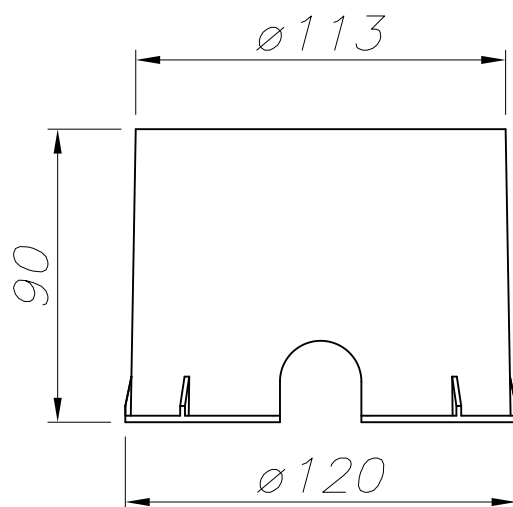
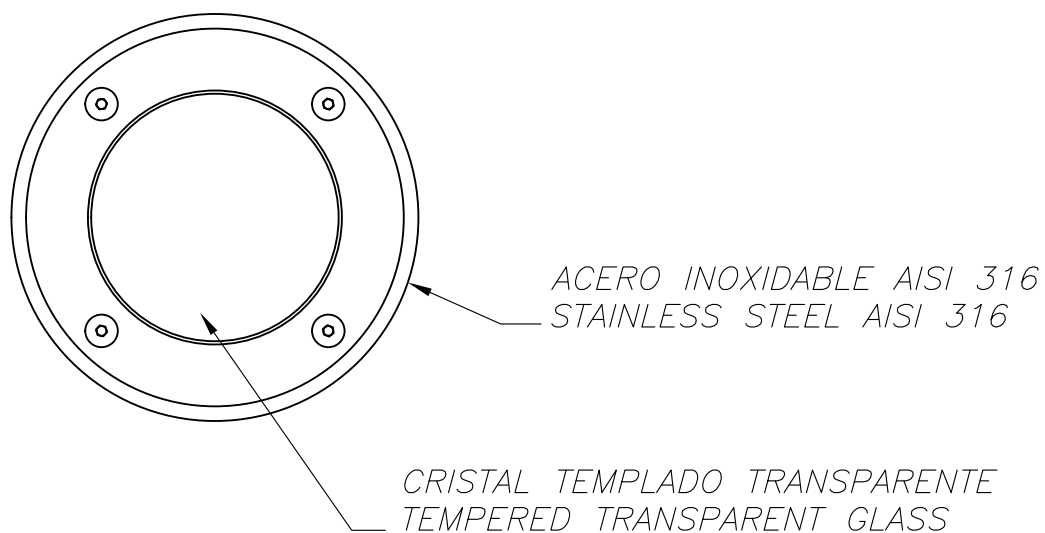
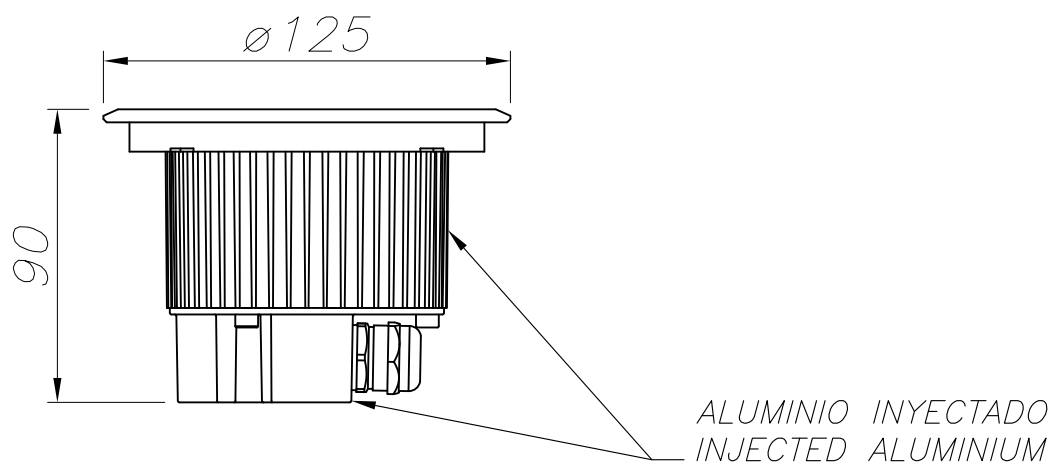


Unit: cd

— C0-C180 — C90-C270 — G180

C Plane (°):0.0-360.0: 15.0  
 Test Lab: INVENTFINE  
 Test Type: TYPE C  
 Temperature:  
 Operator:

Gamma Plane (°):0.0-180.0:1.0  
 Test Device: GPM-1800B  
 Distance: 6.435 m  
 Humidity:  
 Inspector:



*CAJA DE EMPOTRAR*  
*FLUSH FITTING BOX*

