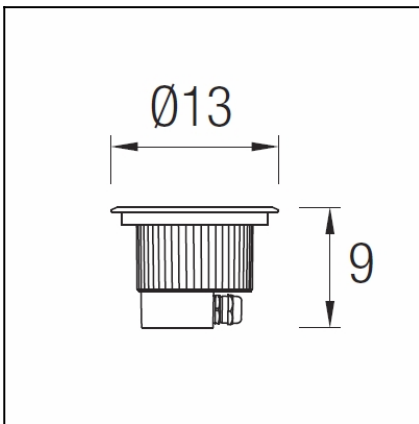


OUT 

**GEA**  
**55-9664-CA-37**



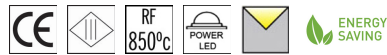
The photograph may not match the reference exactly. Please read the product description to identify the finish.



Download photometric file .ldt / .ies

#### TECHNICAL CHARACTERISTICS

Type:	Downlight
Adjustable $\pm 15^\circ$ on the vertical axis	
IP Protection degrees:	IP67
IK Protection degrees:	IK08
Bulb:	3 x LED Philips. Led RGB
Power (W):	3
Luminous efficacy (Lm/W):	120
Angle Óptiques:	25°
Voltage / Frequency:	12VDC
Warranty (Years):	2
Units per box:	4
Net Weight (Kg):	1.045
EAN:	8435381400217,00



#### MATERIALS / FINISHES

**Structure material:** Stainless steel AISI316  
High purity aluminium

**Diffuser material:** Glass

Black

**Diffuser finish:** Tempered

#### GEAR

Necessary equipment not included. For more information check website / catalogs / sales organization.

71-9630-34-34



**Structure material:** Injected aluminium  
**Structure finish:** Grey

IP54

71-9631-34-34



**Structure material:** Injected aluminium  
**Structure finish:** Grey

IP54

71-9632-34-34



**Structure material:** Injected aluminium  
**Structure finish:** Grey

IP54

Report No.: 20130408004

Test Time: 2013-04-08 14:08

## Luminaire Property

Luminaire Manufacturer: LEDS-C4  
 Luminaire Category:  
 Lamp Catalog:  
 Number of Lamps: 3  
 Luminous Length (mm): 75  
 Luminous Height (mm): 5  
 Current: 0.044 A  
 Power Factor: 0.596

Luminaire Description: 55-9664  
 Lamp Description: LED  
 Lumens per Lamp: 100  
 Luminous Width (mm): 75  
 Voltage: 219.9 V  
 Power: 5.80 W

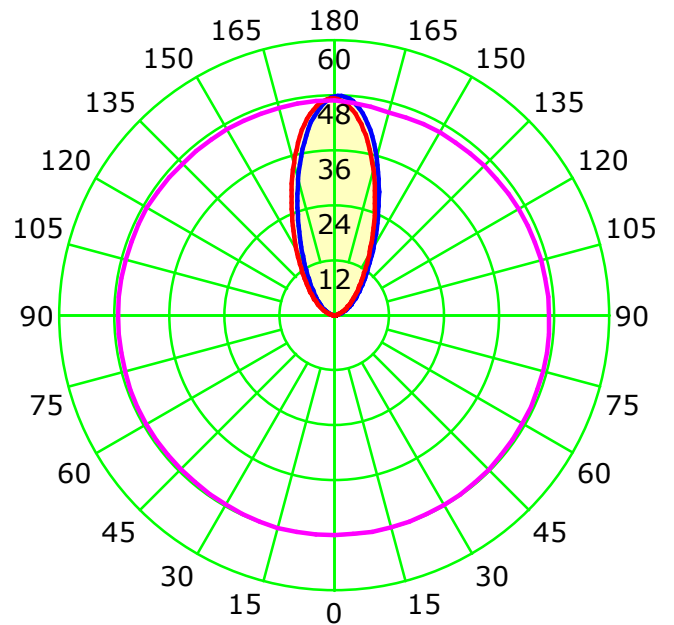
## Photometric Results

CIE Class: Indirect  
 Measurement Flux: 42.2 lm  
 Downward Ratio: 0.00%  
 Field Angle: H104.0 V105.8  
 Luminaire Efficacy Rating (LER): 7  
 Max. Intensity: 48.23 cd

Total Rated Lamp Lumens: 300.0 lm  
 Efficiency: 14.07%  
 Upward Ratio: 14.07%  
 Beam Angle: H43.3 V45.0  
 Central Intensity: 47.94 cd  
 Pos of Max. Intensity: H345 V178

Picture Of Luminaire ...

Luminous Intensity Distribution Curve

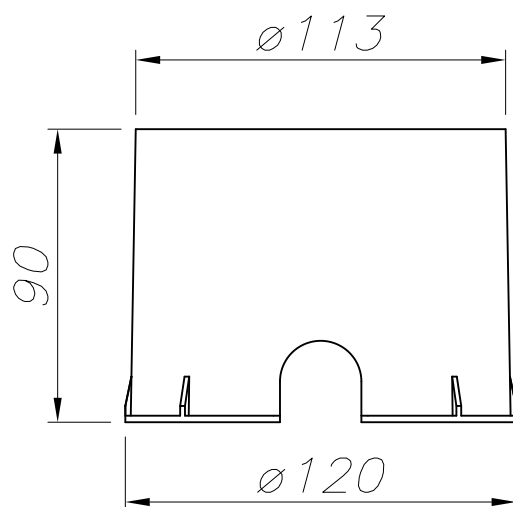
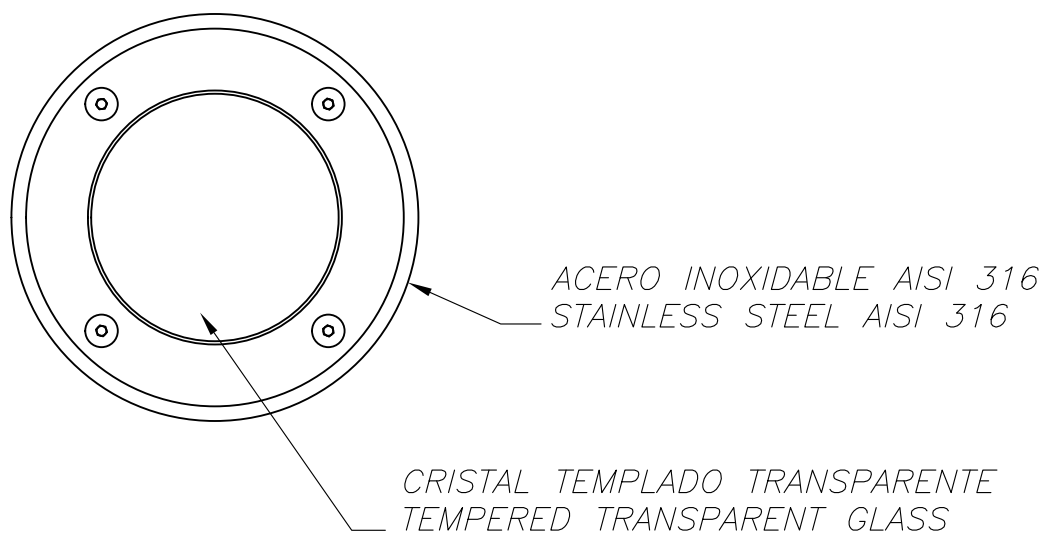
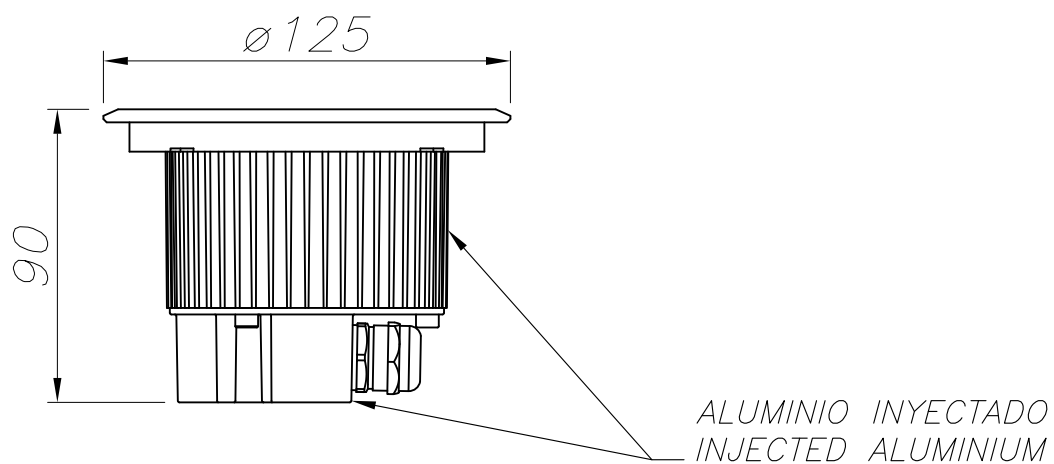


Unit: cd

— C0-C180 — C90-C270 — G178

C Plane (°):0.0-360.0: 15.0  
 Test Lab: INVENTFINE  
 Test Type: TYPE C  
 Temperature:  
 Operator:

Gamma Plane (°):0.0-180.0:1.0  
 Test Device: GPM-1800B  
 Distance: 6.435 m  
 Humidity:  
 Inspector:



CAJA DE EMPOTRAR  
FLUSH FITTING BOX

①

10l / 15min

25cm

②

OFF

RGB control  
(71-9630/71-9631)

$\varnothing_{min}=5mm$   
 $\varnothing_{max}=10mm$

55-9664

8

$\varnothing 87,5$

55-9666

10

$\varnothing 137$

③

④

A

B

⑤ OPTION FROSTED FILTER

①

FILTER

②

⑥

ON

55-9664

55-9666

Max 20KN  
(2000Kg)

Max 18KN  
(1800Kg)