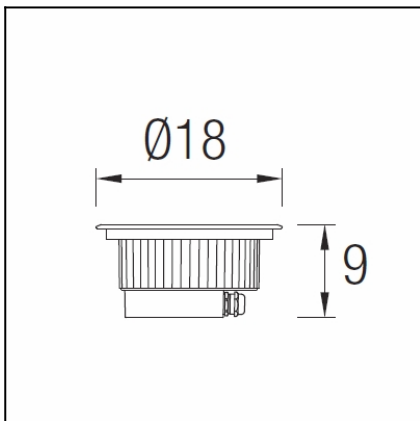




The photograph may not match the reference exactly. Please read the product description to identify the finish.



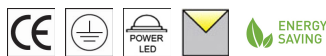
Download photometric file .ldt /.ies

### DESCRIPTION

May be flush mounted into the floor. Body produced in injected aluminium, with an AISI 316 stainless steel surround and a clear glass diffuser. LED light source comprising 4,200 PHILIPS POWER LED or RGB light. Offered in two sizes and different wattages. Beam aperture of 25°. Driver included (100-240V) for the white LED versions. The RGB version requires EASY RGB controllers available only from the LEDS-C4 Outdoor catalogue. Includes 3000K warm light filter and a light diffuser filter. Its wire outlets on both sides makes it suitable for an array installation. It can be rotated by +/- 15°. Compact design (only 9cm deep).

### TECHNICAL CHARACTERISTICS

Type:	Downlight
Adjustable $\pm 15^\circ$ on the vertical axis	
IP Protection degrees:	IP67
IK Protection degrees:	IK08
Bulb:	9 x LED Philips. Neutral white - 4200K
Power (W):	1
Total power consumption (W):	11
Luminous efficacy (Lm/W):	120
Angle Optiques:	25°
Voltage / Frequency:	100-240V/50-60Hz
Warranty (Years):	2
Option to extend the guarantee:	Yes, 5 years
Units per box:	2
Net Weight (Kg):	2
EAN:	8435381400224,00



### MATERIALS / FINISHES

**Structure material:** Stainless steel AISI316  
High purity aluminium

**Diffuser material:** Glass

Black

**Diffuser finish:** Tempered

### GEAR

Multi-voltage electronic gear included (110-240 V / 50-60 Hz)

Report No.: 20130314001

Test Time: 2013-3-14 11: 11

## Luminaire Property

Luminaire Manufacturer: LEDS-C4  
 Luminaire Category:  
 Lamp Catalog:  
 Number of Lamps: 9  
 Luminous Length (mm): 120  
 Luminous Height (mm): 10  
 Current: 0.100 A  
 Power Factor: 0.500

Luminaire Description: 55-9665  
 Lamp Description: LED  
 Lumens per Lamp: 114  
 Luminous Width (mm): 120  
 Voltage: 220.5 V  
 Power: 11.00 W

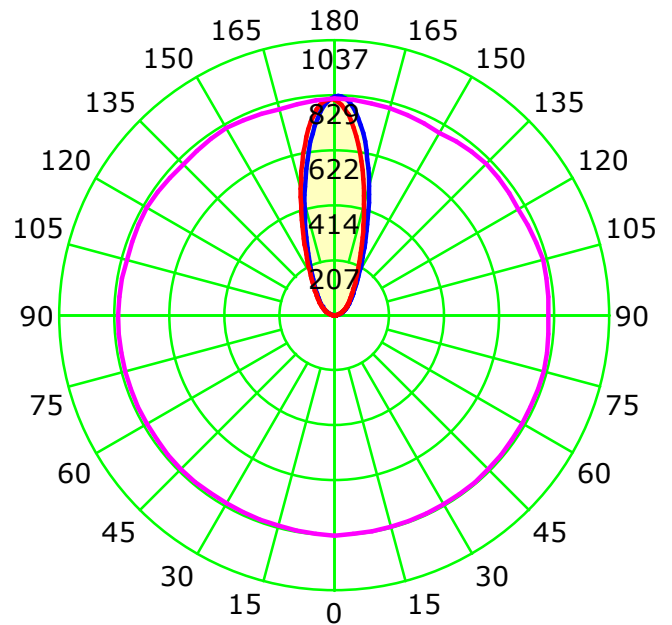
## Photometric Results

CIE Class: Indirect  
 Measurement Flux: 558.3 lm  
 Downward Ratio: 0.00%  
 Field Angle: H92.3 V92.5  
 Luminaire Efficacy Rating (LER): 51  
 Max. Intensity: 829.86 cd

Total Rated Lamp Lumens: 1026.0 lm  
 Efficiency: 54.42%  
 Upward Ratio: 54.42%  
 Beam Angle: H34.0 V34.1  
 Central Intensity: 826.94 cd  
 Pos of Max. Intensity: H0 V179

Picture Of Luminaire ...

Luminous Intensity Distribution Curve

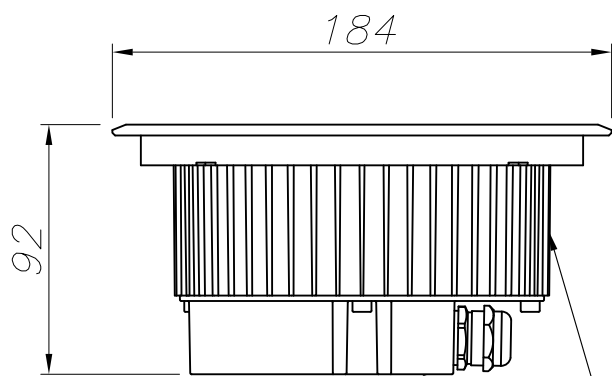


Unit: cd

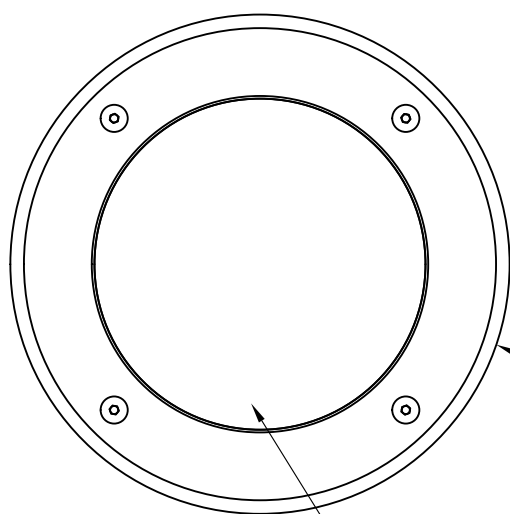
— C0-C180 — C90-C270 — G179

C Plane (°):0.0-360.0: 15.0  
 Test Lab: INVENTFINE  
 Test Type: TYPE C  
 Temperature:  
 Operator:

Gamma Plane (°):0.0-180.0:1.0  
 Test Device: GPM-1800B  
 Distance: 6.435 m  
 Humidity:  
 Inspector:

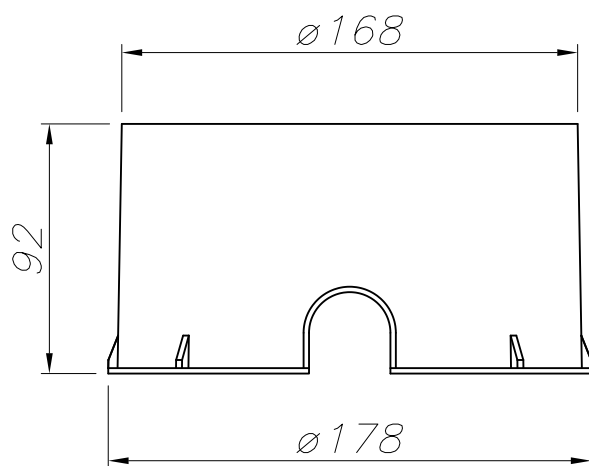


ALUMINIO INYECTADO  
INJECTED ALUMINIUM



ACERO INOXIDABLE AISI 316  
STAINLESS STEEL AISI 316

CRISTAL TEMPLADO TRANSPARENTE  
TEMPERED TRANSPARENT GLASS



CAJA DE EMPOTRAR  
FLUSH FITTING BOX

①

10l / 15min

25cm

55-9663

8

ø87,5

55-9665/7

10

ø137

OFF

Ømin=5mm  
Ømax=10mm

③

④

①

②

⑤ OPTION WARM FILTER / FROSTED FILTER

①

FILTER

②

⑥

55-9663

55-9665

55-9667

Max 20KN  
(2000Kg)

Max 18KN  
(1800Kg)

ON