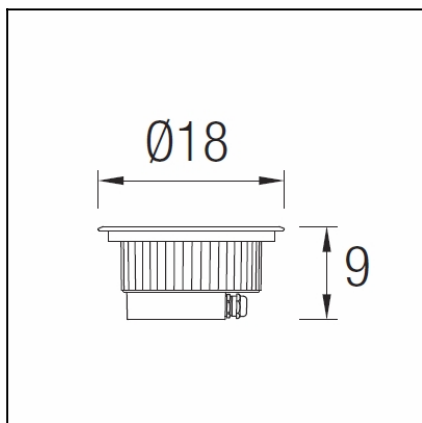




The photograph may not match the reference exactly. Please read the product description to identify the finish.



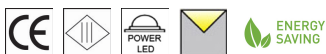
Download photometric file .ldt /.ies

DESCRIPTION

May be flush mounted into the floor. Body produced in injected aluminium, with an AISI 316 stainless steel surround and a clear glass diffuser. LED light source comprising 4,200 PHILIPS POWER LED or RGB light. Offered in two sizes and different wattages. Beam aperture of 25°. Driver included (100-240V) for the white LED versions. The RGB version requires EASY RGB controllers available only from the LEDS-C4 Outdoor catalogue. Includes 3000K warm light filter and a light diffuser filter. Its wire outlets on both sides makes it suitable for an array installation. It can be rotated by +/- 15°. Compact design (only 9cm deep).

TECHNICAL CHARACTERISTICS

Type:	Downlight
Adjustable $\pm 15^\circ$ on the vertical axis	
IP Protection degrees:	IP67
IK Protection degrees:	IK08
Bulb:	9 x LED Philips. Led RGB
Power (W):	9
Luminous efficacy (Lm/W):	120
Angle Optiques:	25°
Voltage / Frequency:	12VDC
Warranty (Years):	2
Units per box:	2
Net Weight (Kg):	1.975
EAN:	8435381400231,00



MATERIALS / FINISHES

Structure material: Stainless steel AISI316
High purity aluminium

Diffuser material: Glass

Black

Diffuser finish: Tempered

GEAR

Necessary equipment not included. For more information check website / catalogs / sales organization.

71-9630-34-34



Structure material: Injected aluminium
Structure finish: Grey

IP54

71-9631-34-34



Structure material: Injected aluminium
Structure finish: Grey

IP54

71-9632-34-34



Structure material: Injected aluminium
Structure finish: Grey

IP54

Report No.: 20130314004

Test Time: 2013-3-14 14: 14

Luminaire Property

Luminaire Manufacturer: LEDS-C4
 Luminaire Category:
 Lamp Catalog:
 Number of Lamps: 9
 Luminous Length (mm): 120
 Luminous Height (mm): 120
 Current: 0.079 A
 Power Factor: 0.618

Luminaire Description: 55-9666
 Lamp Description: LED
 Lumens per Lamp: 114
 Luminous Width (mm): 120
 Voltage: 221.0 V
 Power: 10.90 W

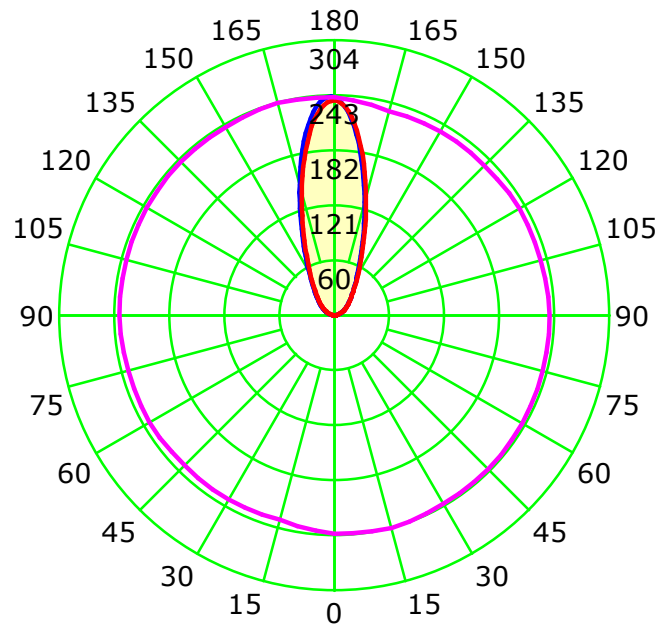
Photometric Results

CIE Class: Indirect
 Measurement Flux: 165.2 lm
 Downward Ratio: 0.00%
 Field Angle: H93.6 V93.3
 Luminaire Efficacy Rating (LER): 15
 Max. Intensity: 243.7 cd

Total Rated Lamp Lumens: 1026.0 lm
 Efficiency: 16.10%
 Upward Ratio: 16.10%
 Beam Angle: H34.6 V34.8
 Central Intensity: 241.7 cd
 Pos of Max. Intensity: H15 V180

Picture Of Luminaire ...

Luminous Intensity Distribution Curve

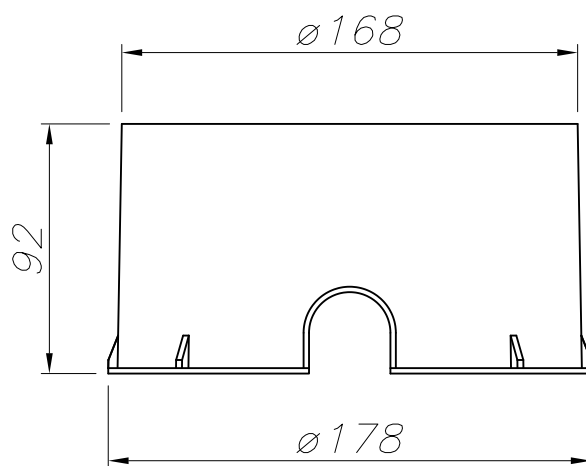
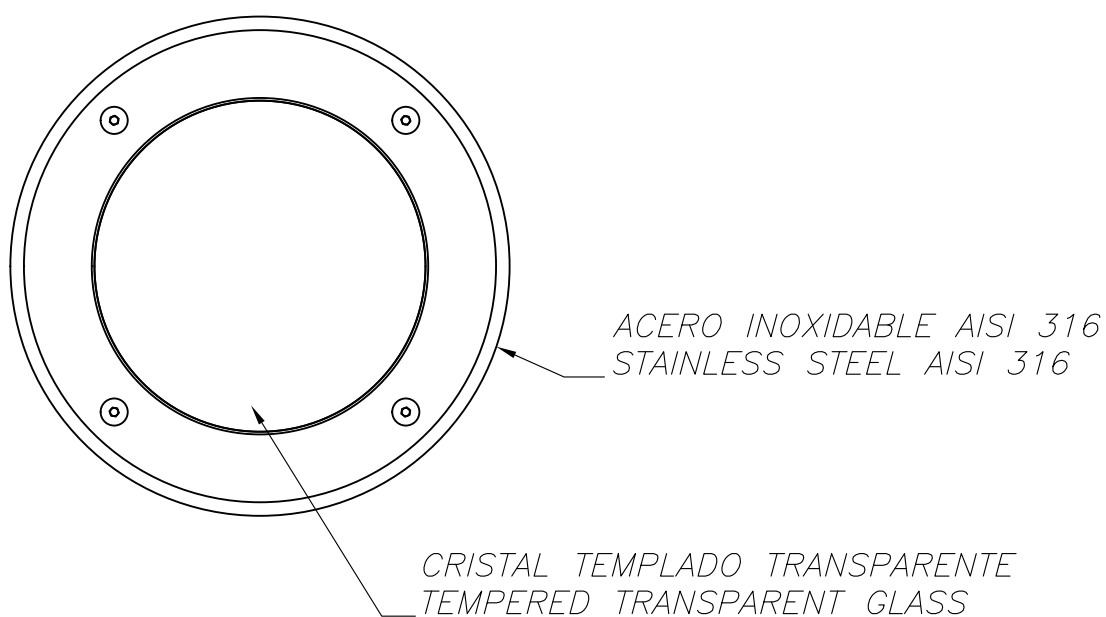
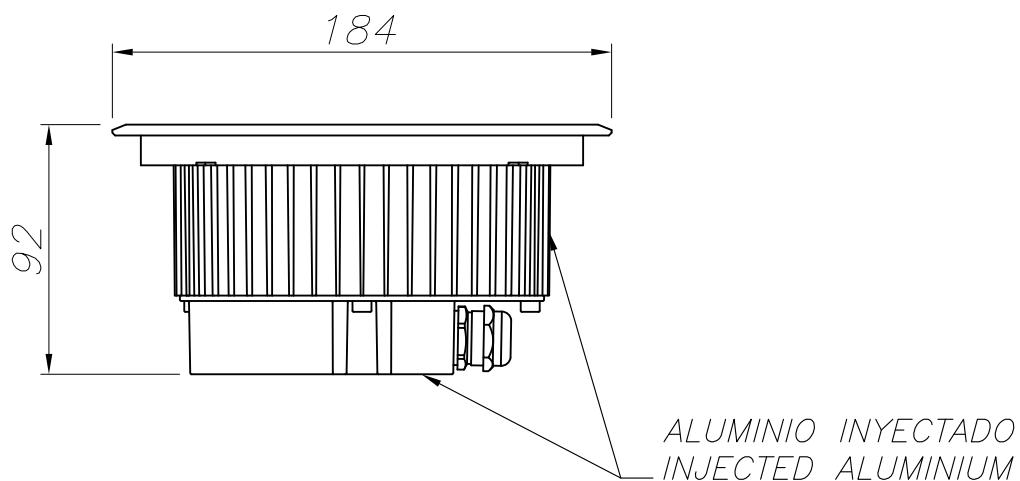


Unit: cd

— C0-C180 — C90-C270 — G180

C Plane (°):0.0-360.0: 15.0
 Test Lab: INVENTFINE
 Test Type: TYPE C
 Temperature:
 Operator:

Gamma Plane (°):0.0-180.0:1.0
 Test Device: GPM-1800B
 Distance: 6.435 m
 Humidity:
 Inspector:



CAJA DE EMPOTRAR
FLUSH FITTING BOX

①

10l / 15min

25cm

②

OFF

RGB control
(71-9630/71-9631)

$\varnothing_{min}=5mm$
 $\varnothing_{max}=10mm$

55-9664

8

$\varnothing 87,5$

55-9666

10

$\varnothing 137$

③

④

A

B

⑤ OPTION FROSTED FILTER

①

FILTER

②

⑥

ON

55-9664

55-9666

Max 20KN
(2000Kg)

Max 18KN
(1800Kg)