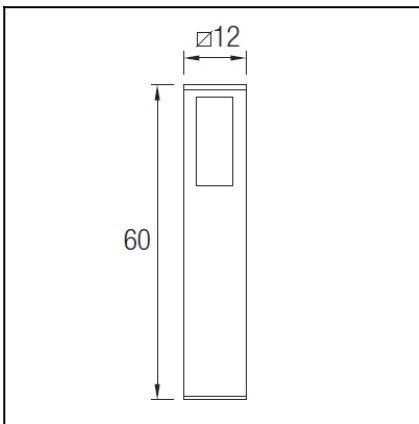


**OUT** 
**WAY**
**55-9682-Z5-37**

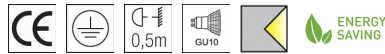

The photograph may not match the reference exactly. Please read the product description to identify the finish.



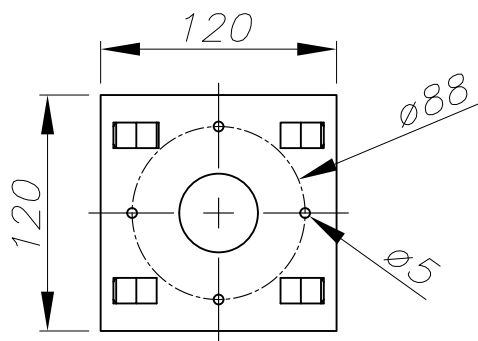
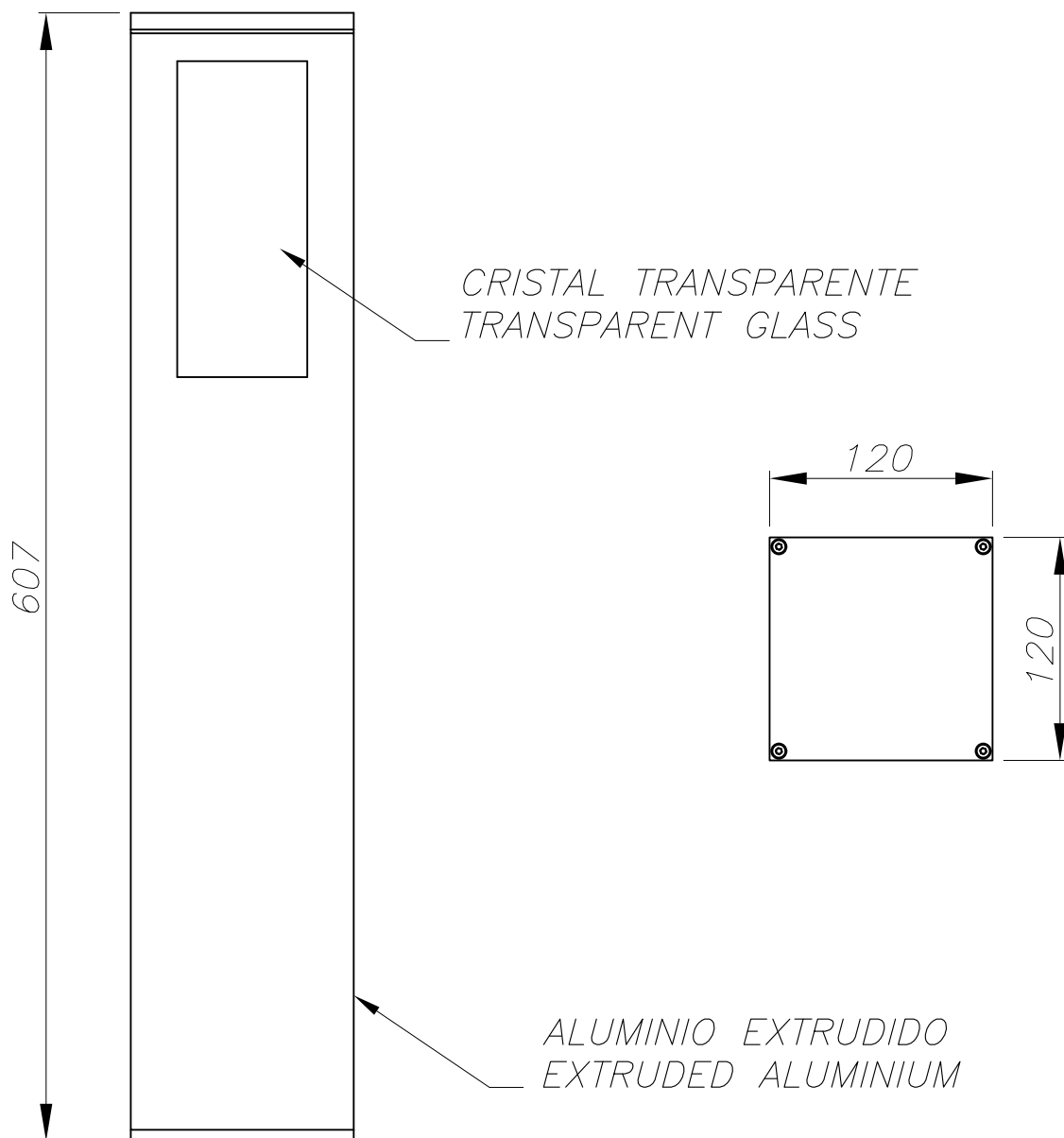
Download photometric file .ldt /.ies

**TECHNICAL CHARACTERISTICS**

Type:	Beacon
Adjustable $\pm 45^\circ$ on the horizontal axis.	
IP Protection degrees:	IP65
IK Protection degrees:	IK08
Lampholder:	1 x GU10
Power (W):	GU10 max.50
Voltage / Frequency:	220-240V/50-60Hz
Warranty (Years):	2
Units per box:	2
Net Weight (Kg):	2.885
EAN:	8435381400378,00


**MATERIALS / FINISHES**

<b>Structure material:</b> Extruded aluminium	<b>Diffuser material:</b> Glass
<b>Structure finish:</b> Urban grey	<b>Diffuser finish:</b> Transparent



PLANTILLA DE INSTALACIÓN  
INSTALLATION TEMPLATE

