

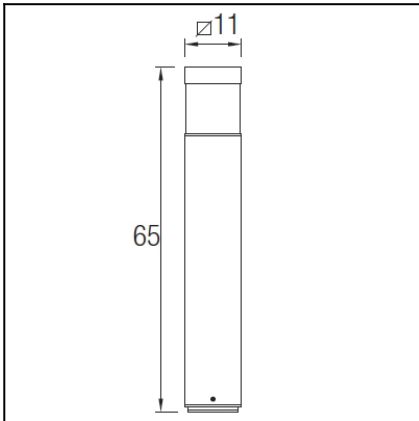
OUT 

CUBASE

55-9690-34-M2



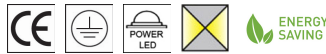
The photograph may not match the reference exactly. Please read the product description to identify the finish.



Download photometric file .ldt / .ies

TECHNICAL CHARACTERISTICS

Type:	Beacon
IP Protection degrees:	IP54
Bulb:	4 x LED Cree
Power (W):	12
Luminous efficacy (Lm/W):	82
Voltage / Frequency:	100-240V/50-60Hz
Warranty (Years):	2
Option to extend the guarantee:	Yes, 5 years
Units per box:	2
Net Weight (Kg):	3
EAN:	8435381400538,00



MATERIALS / FINISHES

Structure material:	Extruded aluminium	Diffuser material:	Polycarbonate
Structure finish:	Grey	Diffuser finish:	Transparent

GEAR

Multi-voltage electronic gear included (110-240 V / 50-60 Hz)

Report No.:

Test Time: 2012-12-17 16:47

Luminaire Property

Luminaire Manufacturer: LEDS-C4
 Luminaire Category:
 Lamp Catalog:
 Number of Lamps: 4
 Luminous Length (mm): 105
 Luminous Height (mm): 45
 Current: 0.096 A
 Power Factor: 0.539

Luminaire Description: 55-9690
 Lamp Description: LED
 Lumens per Lamp: 162
 Luminous Width (mm): 95
 Voltage: 220.0 V
 Power: 11.50 W

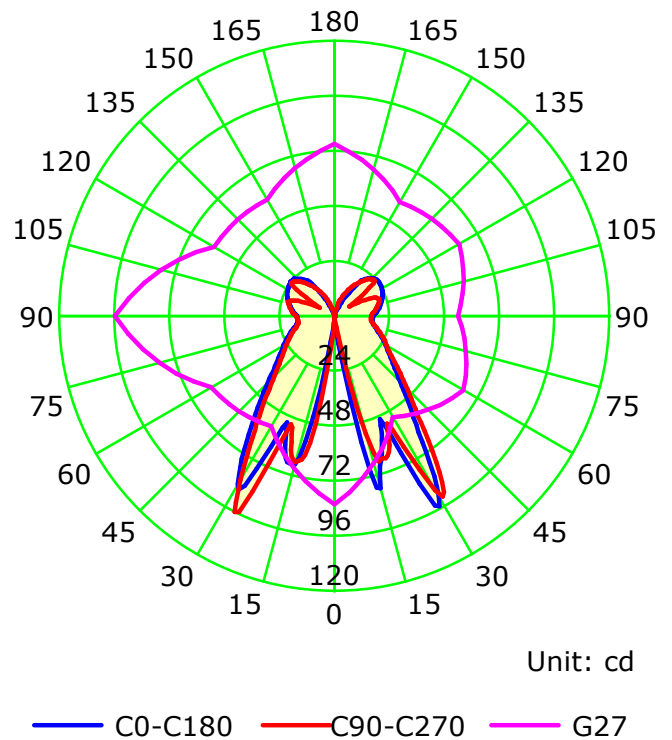
Photometric Results

CIE Class: Semi-Direct
 Measurement Flux: 301.4 lm
 Downward Ratio: 30.59%
 Horizontal Diffuse Angle(10%,50%): H301.1,H85.6
 Vertical Diffuse Angle(10%,50%): V239.5,V84.2
 Luminaire Efficacy Rating (LER): 26
 Max. Intensity: 96.53 cd

Total Rated Lamp Lumens: 648.0 lm
 Efficiency: 46.52%
 Upward Ratio: 15.93%
 Central Intensity: 0 cd
 Pos of Max. Intensity: H270 V27

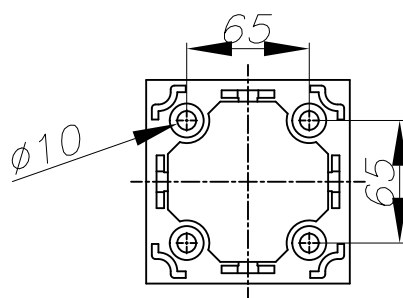
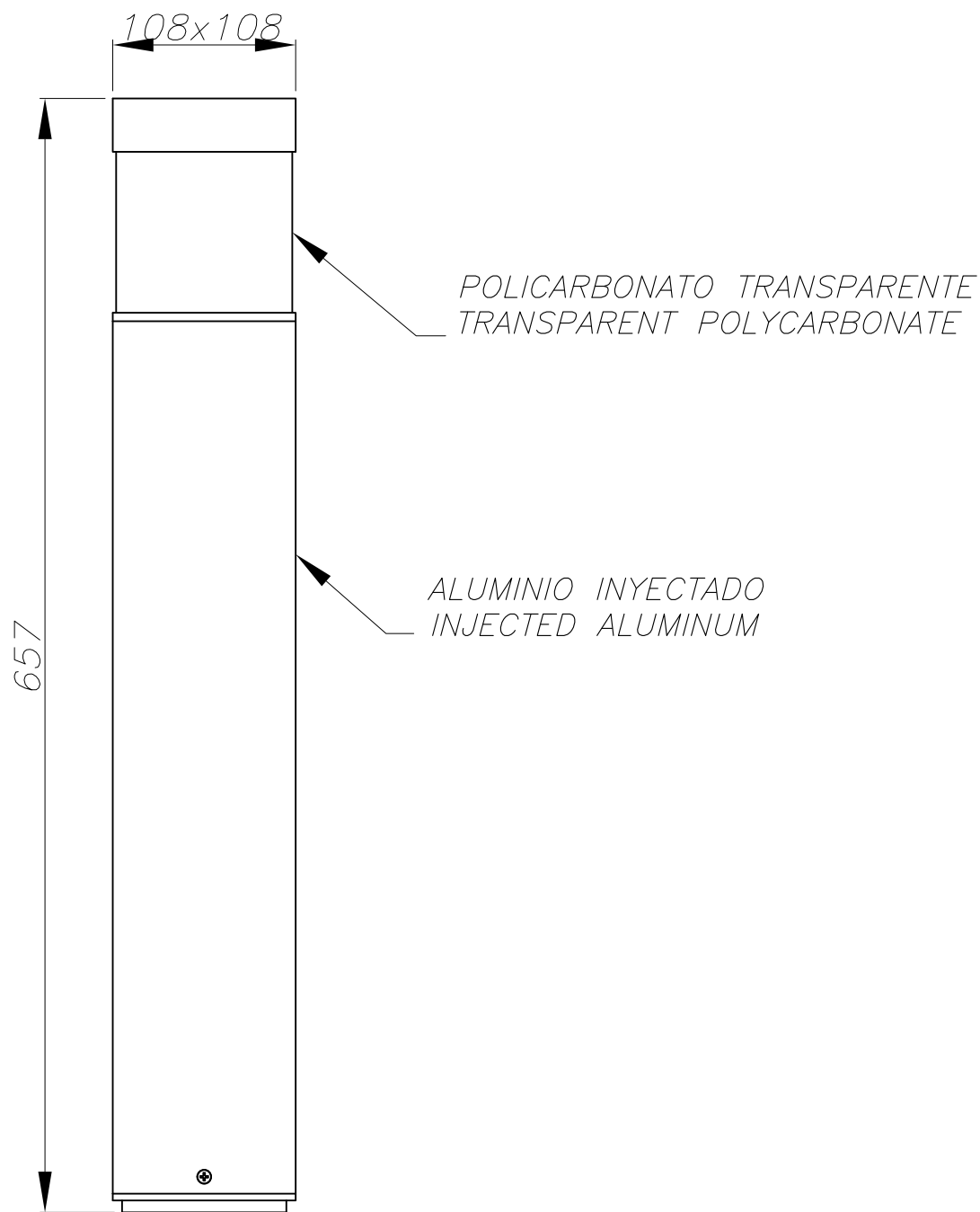
Picture Of Luminaire ...

Luminous Intensity Distribution Curve



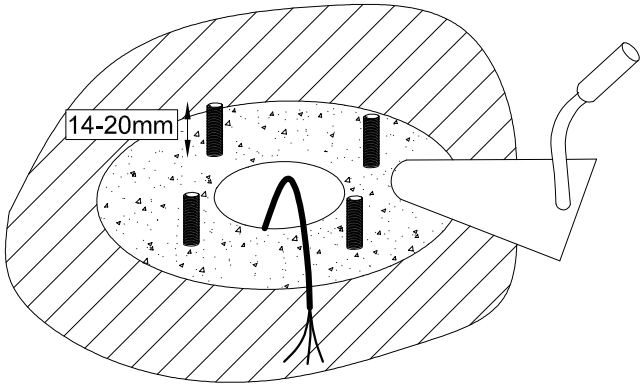
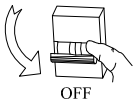
C Plane (°):0.0-360.0: 30.0
 Test Lab: INVENTFINE
 Test Type: TYPE C
 Temperature:
 Operator:

Gamma Plane (°):0.0-180.0:1.0
 Test Device: GPM-1800B
 Distance: 6.481 m
 Humidity:
 Inspector:

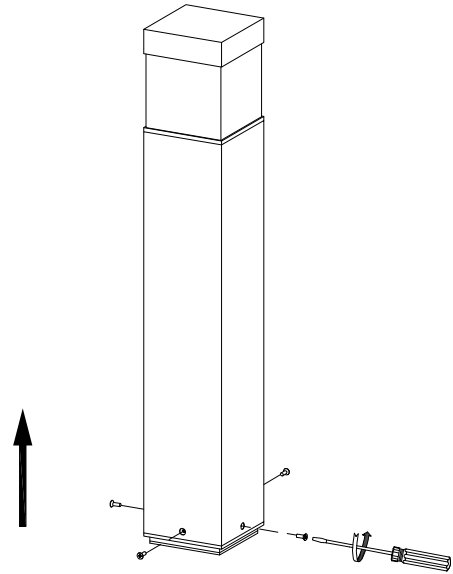


PLANTILLA DE INSTALACIÓN
INSTALLATION TEMPLATE

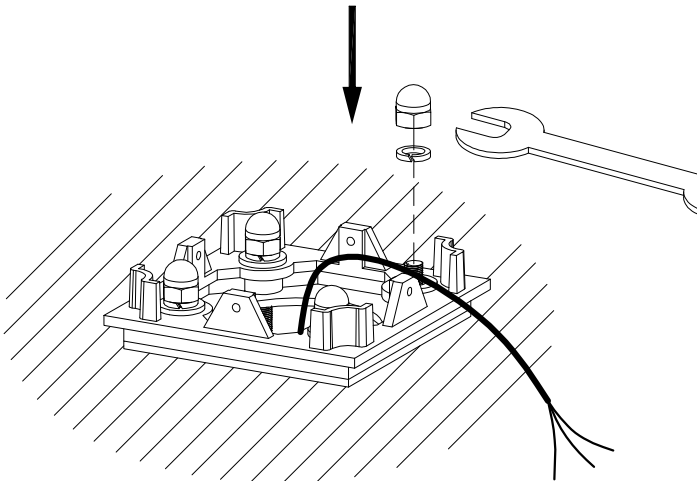
①



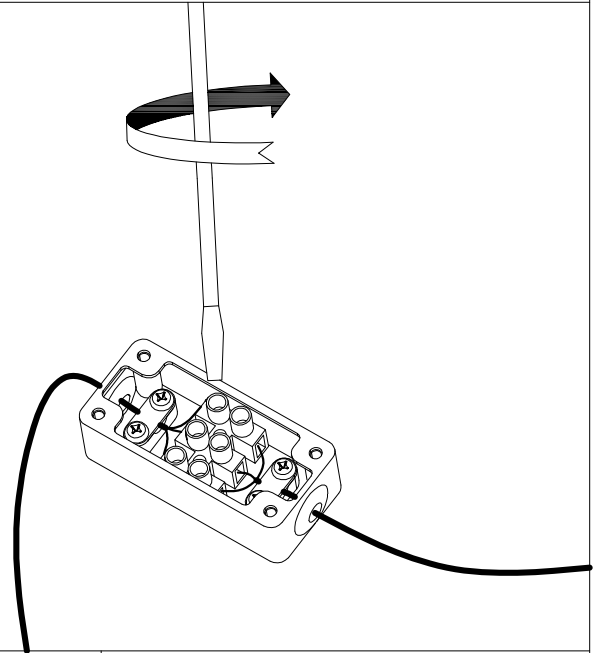
②



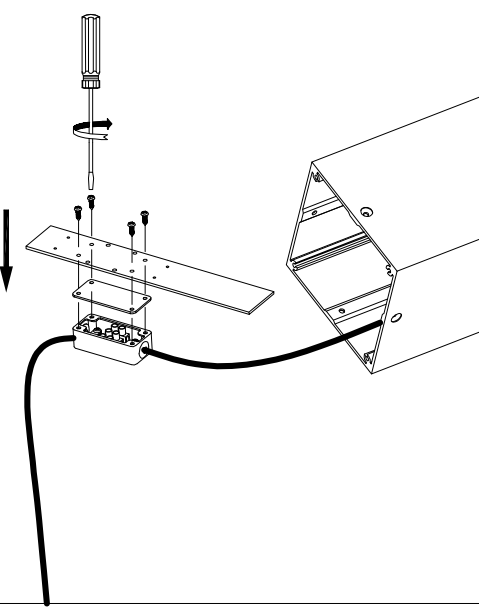
③



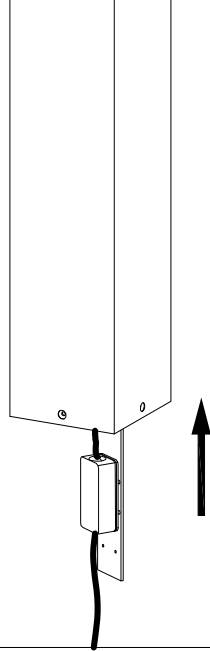
④



⑤



⑥



⑦

