

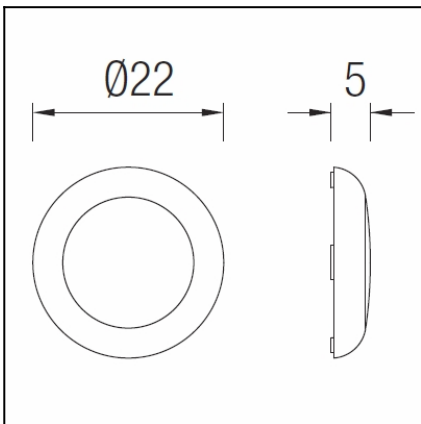
OUT 

AQUA

55-9699-14-M3



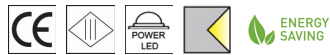
The photograph may not match the reference exactly. Please read the product description to identify the finish.



Download photometric file .ldt /.ies

TECHNICAL CHARACTERISTICS

Type:	Wall fixture
IP Protection degrees:	IP68 (2m)
IK Protection degrees:	IK07
Bulb:	9 x LED Cree. Neutral white - 4200K
Power (W):	27
Total power consumption (W):	28
Luminous efficacy (Lm/W):	102
Voltage / Frequency:	12VAC
Warranty (Years):	2
Option to extend the guarantee:	Yes, 5 years
Units per box:	4
Net Weight (Kg):	0.665
EAN:	8435381404550,00



MATERIALS / FINISHES

Structure material: Polycarbonate
Structure finish: White

Diffuser material: Polycarbonate
Diffuser finish: Matt

GEAR

Necessary equipment not included. For more information check website / catalogs / sales organization.

71-9197-05-05



IP68 (1m)

Report No.: 20130307004

Test Time: 2013-3-7 15:12

Luminaire Property

Luminaire Manufacturer: LEDS-C4
 Luminaire Category:
 Lamp Catalog:
 Number of Lamps: 9
 Luminous Length (mm): 125
 Luminous Height (mm): 10
 Current: 2.830 A
 Power Factor: 0.946

Luminaire Description: 55-9699
 Lamp Description: LED
 Lumens per Lamp: 170
 Luminous Width (mm): 125
 Voltage: 12.2 V
 Power: 32.90 W

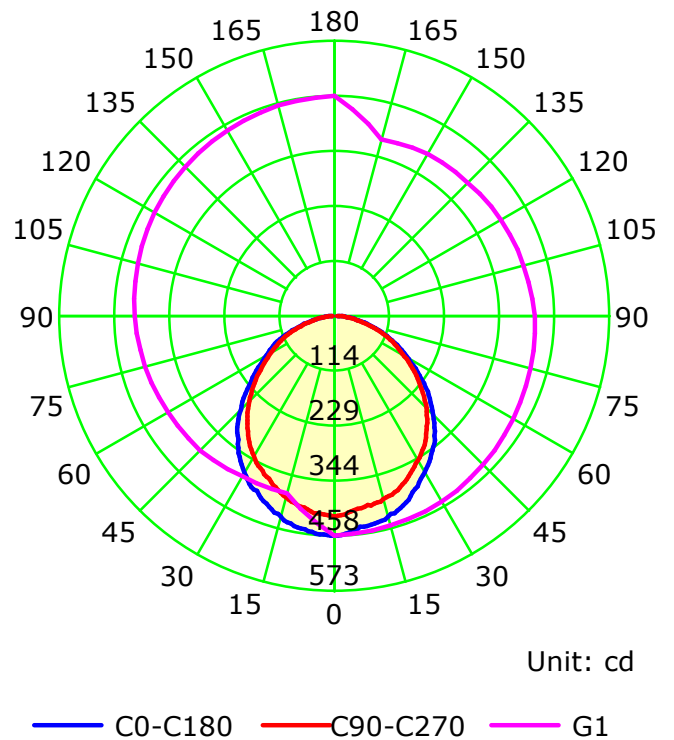
Photometric Results

CIE Class: Direct
 Measurement Flux: 1115.2 lm
 Downward Ratio: 72.89%
 Horizontal Diffuse Angle(10%,50%): H158.9,H104.7
 Vertical Diffuse Angle(10%,50%): V159.2,V105.7
 Luminaire Efficacy Rating (LER): 34
 Max. Intensity: 458.8 cd

Total Rated Lamp Lumens: 1530.0 lm
 Efficiency: 72.89%
 Upward Ratio: 0.00%
 Central Intensity: 458.77 cd
 Pos of Max. Intensity: H180 V1

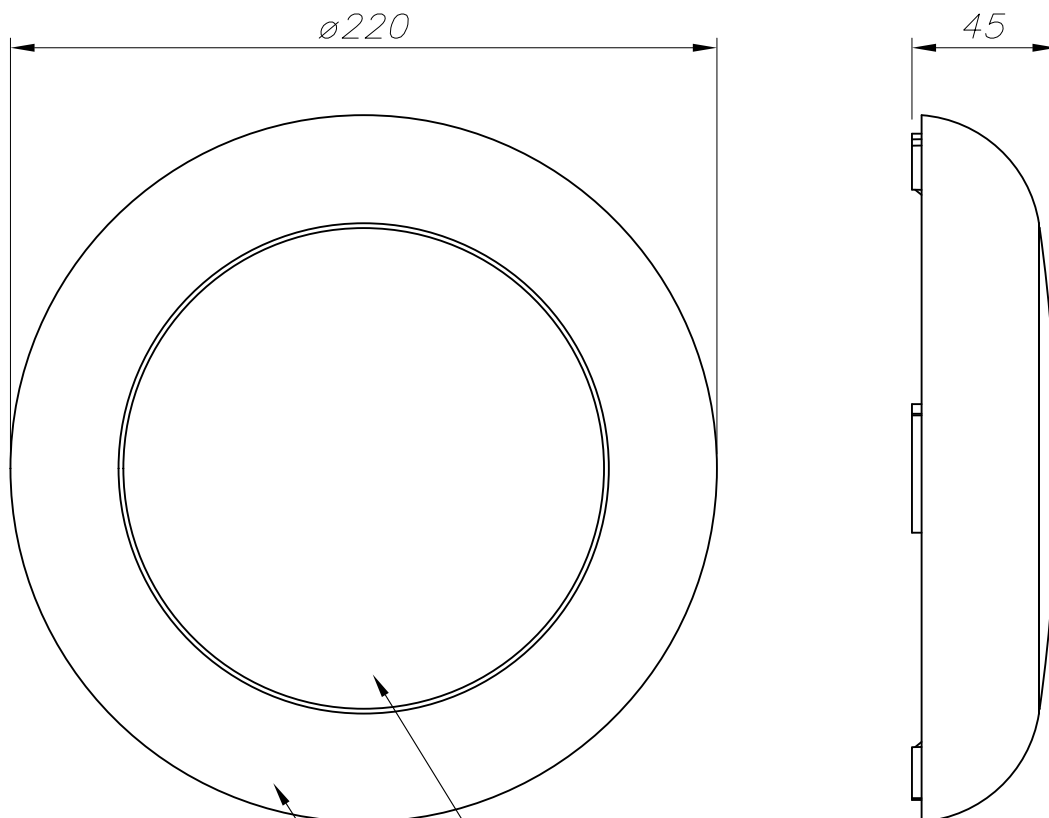
Picture Of Luminaire

Luminous Intensity Distribution Curve



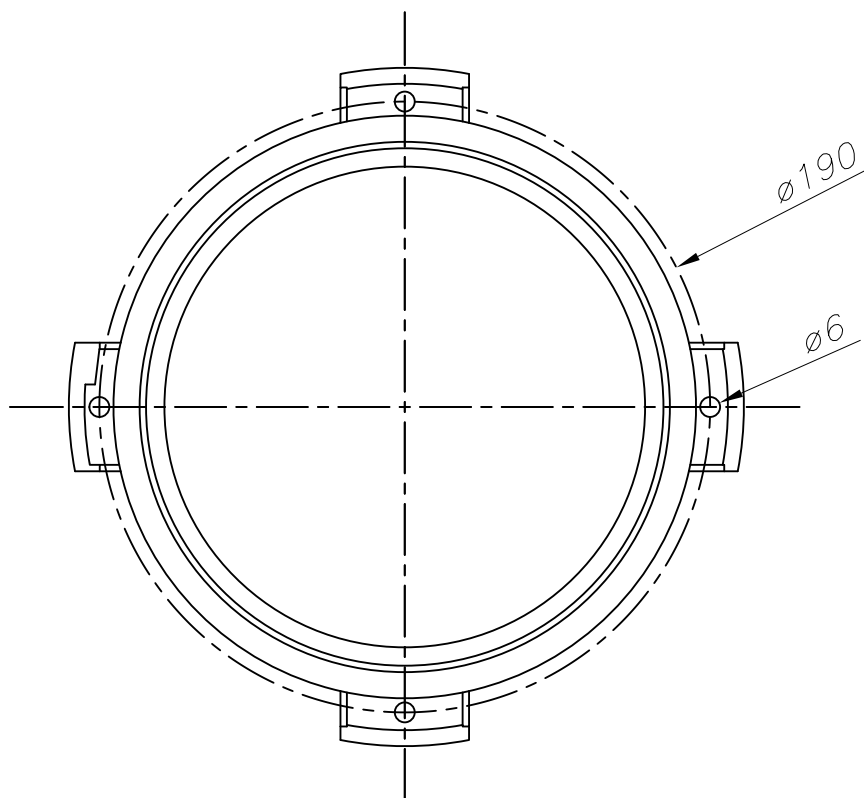
C Plane (°):0.0-360.0: 15.0
 Test Lab:
 Test Type: TYPE C
 Temperature:
 Operator:

Gamma Plane (°):0.0-90.0:1.0
 Test Device: GPM-1800B
 Distance: 3.150 m
 Humidity:
 Inspector:

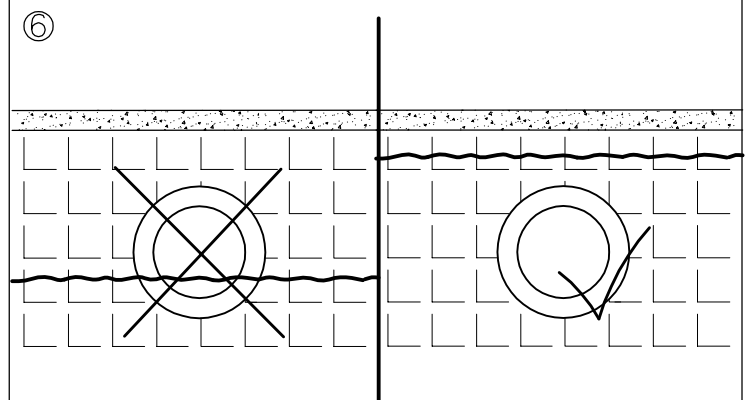
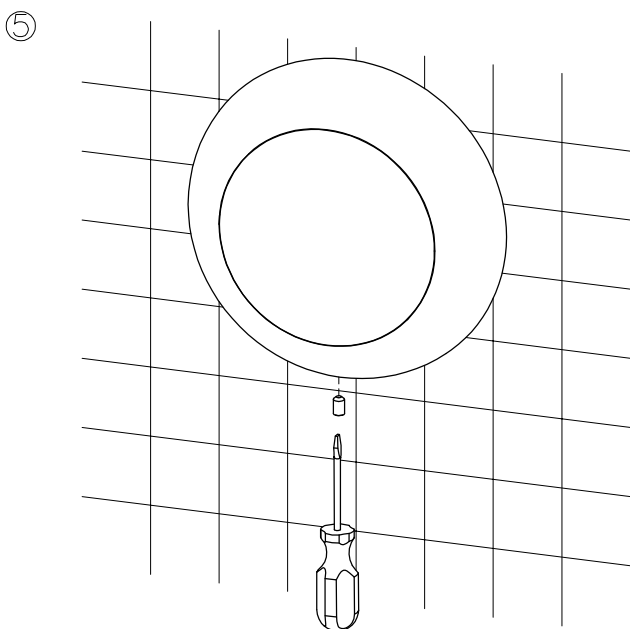
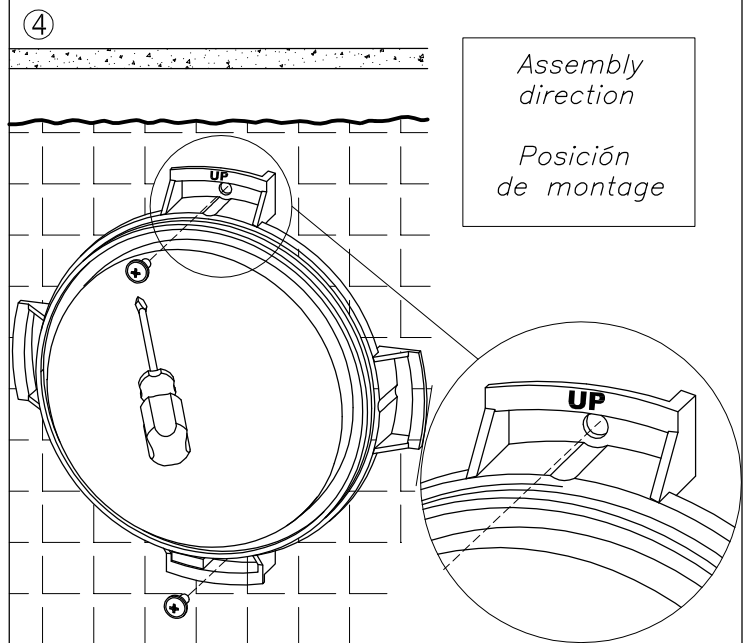
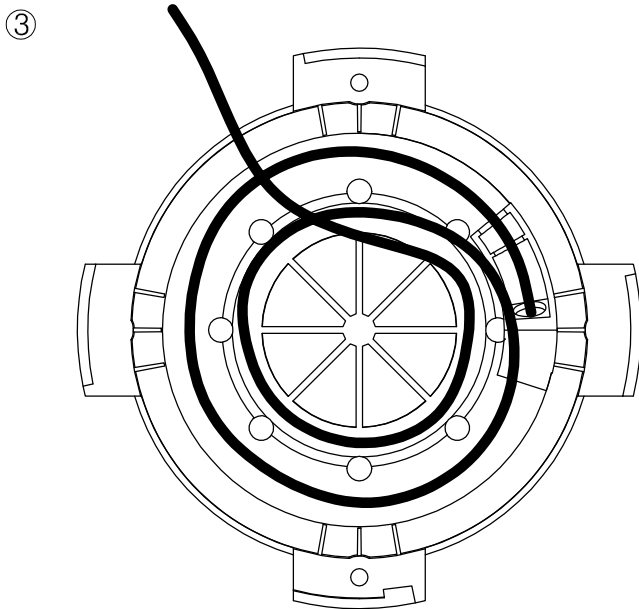
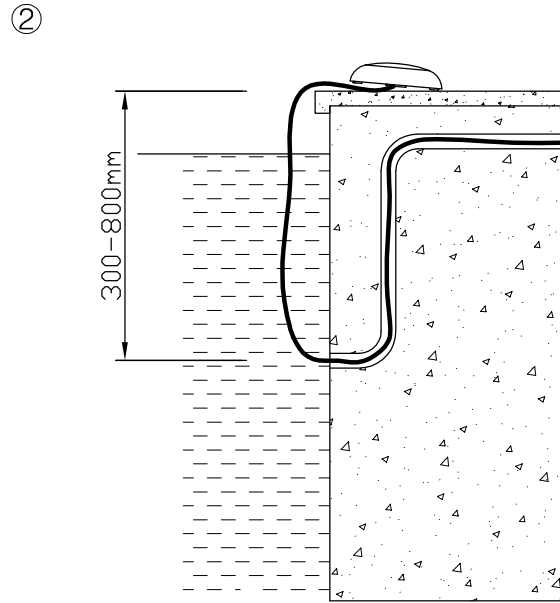
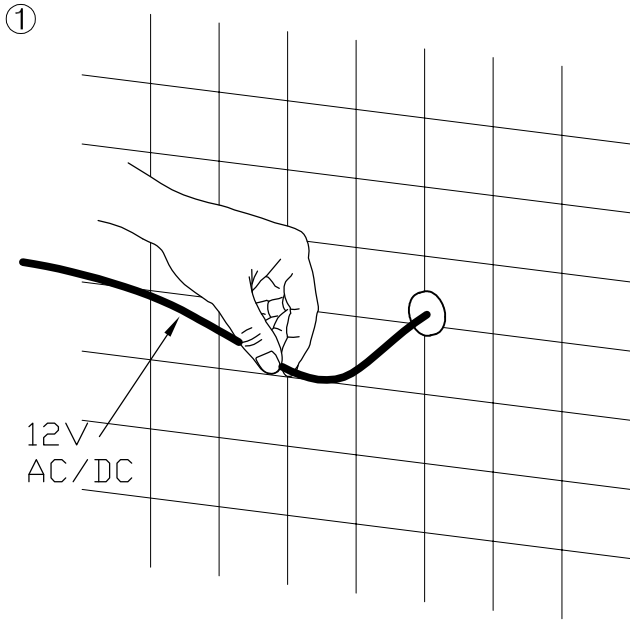


POLICARBONATO TRANSPARENTE MATE
TRANSPARENT MATT POLYCARBONATE

POLICARBONATO BLANCO
WHITE POLYCARBONATE



PLANTILLA DE INSTALACIÓN
INSTALLATION TEMPLATE



- Para usar únicamente sumergida en agua
- Only use under water
- Utiliser uniquement plongée dans l'eau
- Nur unter Wasser eingetaucht benutzen
- Uso esclusivo sotto l'acqua
- Usar apenas submerso em água
- Только для использования в воде