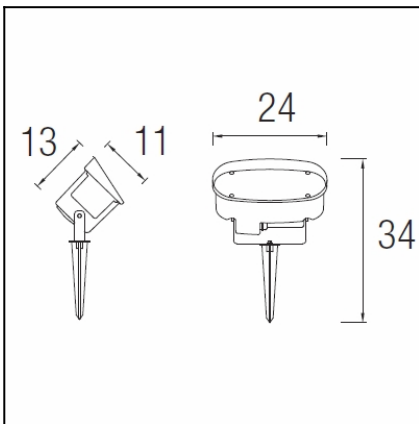




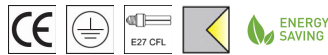
The photograph may not match the reference exactly. Please read the product description to identify the finish.



Download photometric file .ldt /.ies

TECHNICAL CHARACTERISTICS

Type:	Focus
IP Protection degrees:	IP65
IK Protection degrees:	IK09
Lampholder:	1 x E27
Power (W):	E27 max.23
Voltage / Frequency:	220-240V/50-60Hz
Warranty (Years):	2
Units per box:	4
Net Weight (Kg):	0.855
EAN:	8435381400194,00



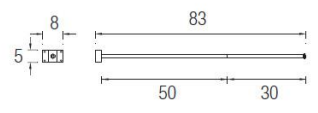
MATERIALS / FINISHES

Structure material:	High purity aluminium	Diffuser material:	Polycarbonate
Structure finish:	Urban grey	Diffuser finish:	Matt

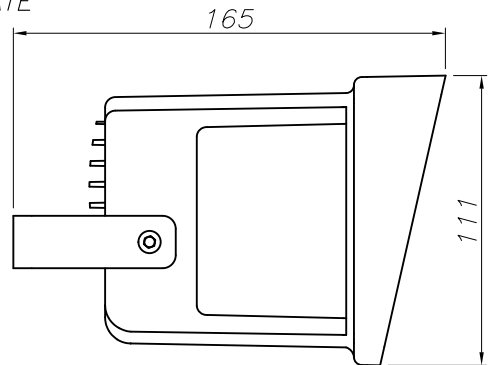
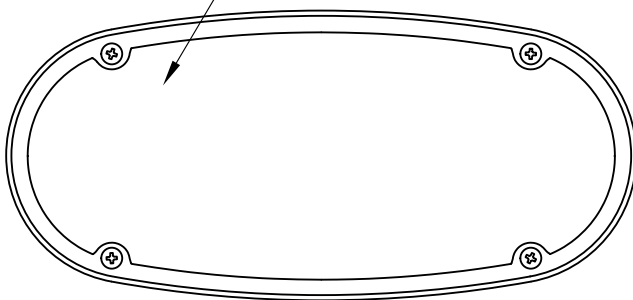
71-9487-Z5-Z5



Structure material: Galvanized steel
Structure finish: Urban grey

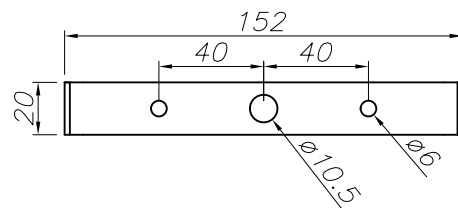
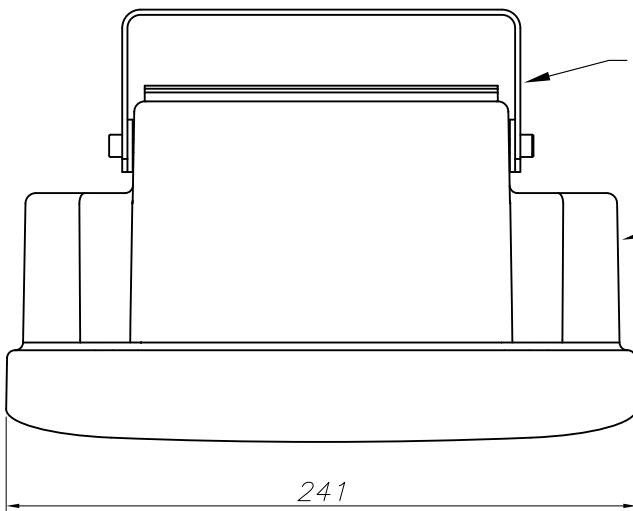


POLICARBONATO TRANSPARENTE MATE
TRANSPARENT MATT POLYCARBONATE



ACERO INOXIDABLE
STAINLESS STEEL

ALUMINIO DE ALTA PUREZA
HIGH QUALITY ALUMINUM



PLANTILLA DE INSTALACIÓN
INSTALLATION TEMPLATE

