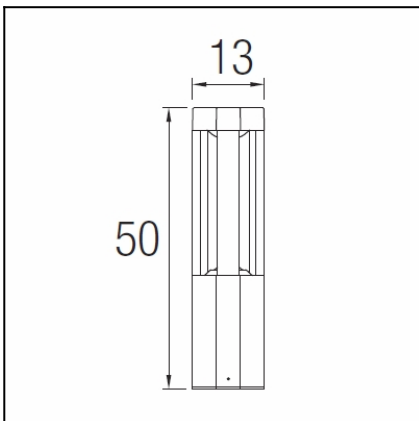


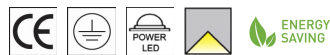


The photograph may not match the reference exactly. Please read the product description to identify the finish.



TECHNICAL CHARACTERISTICS

Type:	Beacon
IP Protection degrees:	IP54
Bulb:	1 x LED Edison. Warm White - 3000K
Power (W):	6
Voltage / Frequency:	100-240V/50-60Hz
Warranty (Years):	2
Option to extend the guarantee:	Yes, 5 years
Units per box:	4
Net Weight (Kg):	1.535
EAN:	8435381404420,00



MATERIALS / FINISHES

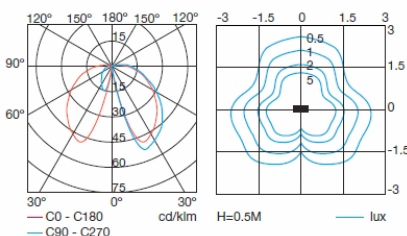
Structure material: Aluminium
Structure finish: Urban grey

Diffuser material: Polycarbonate
Diffuser finish: Opal

GEAR

Multi-voltage electronic gear included (110-240 V / 50-60 Hz)

LED 6W

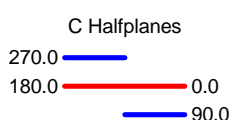
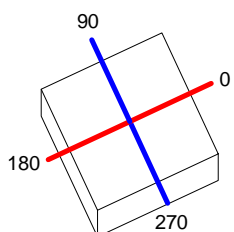


Download photometric file .ldt / .ies

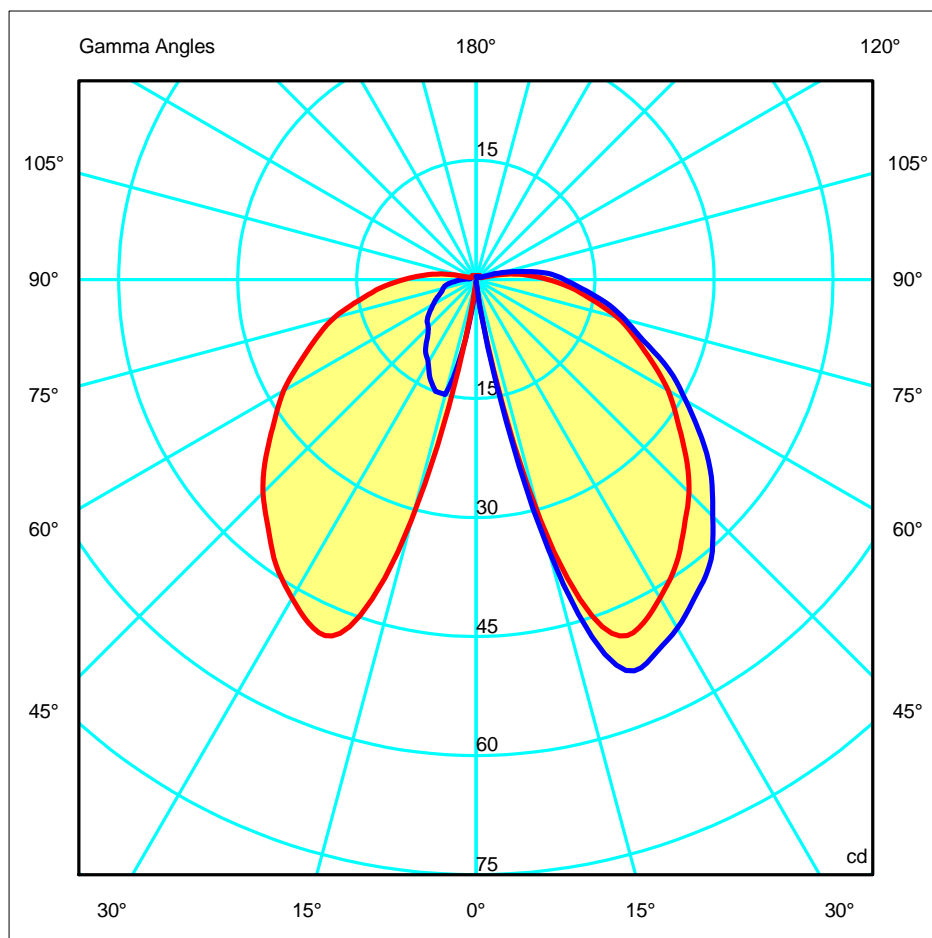
Luminaire		Measur.		Lamp		
Code	55-9720	Code	55-9603	Code	55-9603	
Name	Baliza leds difusor opal	Name	Baliza leds difusor opal	Number	1	
Line	Eulumdat	Date	10-11-2011	Position		
Efficiency	100.00%	Coordinate system	CG	Total Flux	153.69 lm	
Maximum value	59.00 cd	Position	C=315.00 G=20.00	Sym. on planes	270-90	
Rectangular Luminaire Rectangular Luminous Area	Length Length	123 mm 90 mm	Width Width	123 mm 90 mm	Height Height	805 mm 15 mm
Horizontal Luminous Area Emitting area on Plane 0° Emitting area on Plane 90°	0.008100 m2 0.001350 m2 0.001350 m2	Emitting area on Plane 180° Emitting area on Plane 270° Glare area at 76°	0.001350 m2 0.001350 m2 0.003269 m2			
Symmetry Type Measurement Distance	Sym. on planes 270-90 0.00	Maximum Gamma Angle Measurement Flux	180 153.69 lm			
Operator Temperature Humidity Notes	Asselum T2 25.00 °C 60.00 %	Source voltage Source current Photocell				

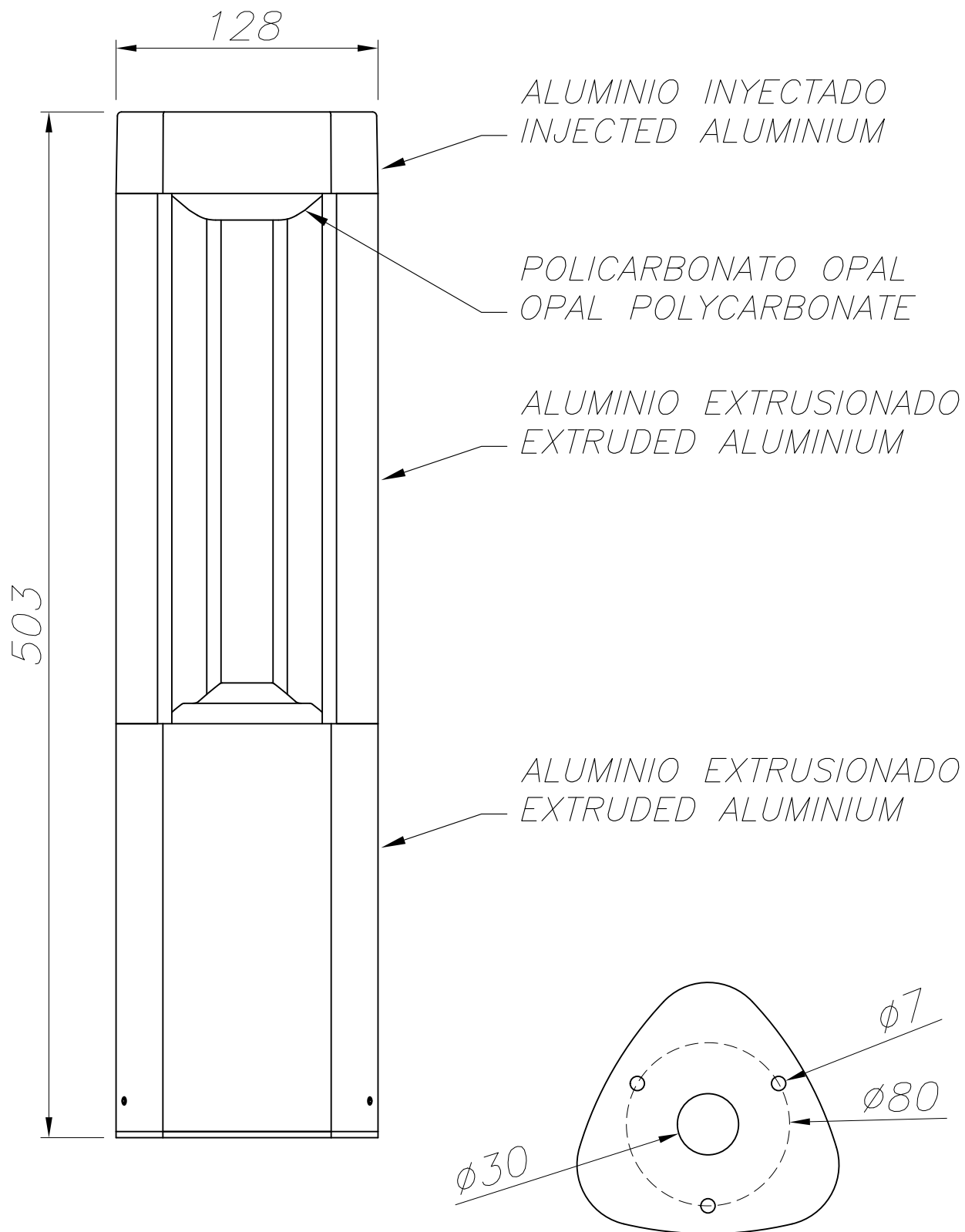
Luminaire Lamps					
Line	Code	Name	Flux [lm]	Pow. [W]	Q.ty
Eulumdat	55-9603	55-9603 - 6.00 W	153.69	6.00	1
C.I.E.	38 68 88 94 100	D DIN 5040		A21	
F UTE	0.94 G + 0.06 T	B NBN		BZ 6	

123mm x 123mm



ULOR 6.32 %
DLOR 93.68 %
RN 6.32 %





PLANTILLA DE INSTALACION
INSTALLATION TEMPLATE

