

The photograph may not match the reference exactly. Please read the product description to identify the finish.

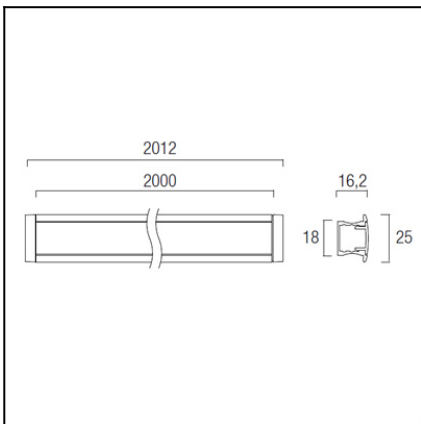
TECHNICAL CHARACTERISTICS

Type:	Accessory
IP Protection degrees:	IP20
Warranty (Years):	2
Units per box:	20
Net Weight (Kg):	0.39
EAN:	8435111092699,00



MATERIALS / FINISHES

Structure material: Anodized aluminium
ABS



Download photometric file .ldt /.ies

