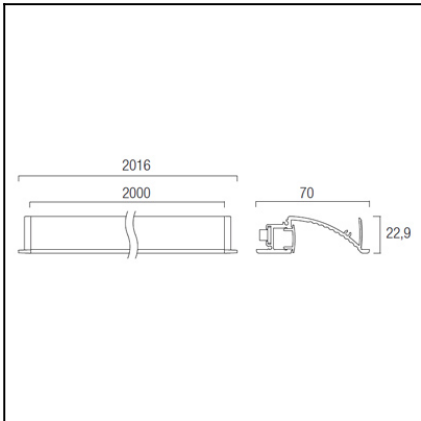


The photograph may not match the reference exactly. Please read the product description to identify the finish.



Download photometric file .ldt /.ies

### TECHNICAL CHARACTERISTICS

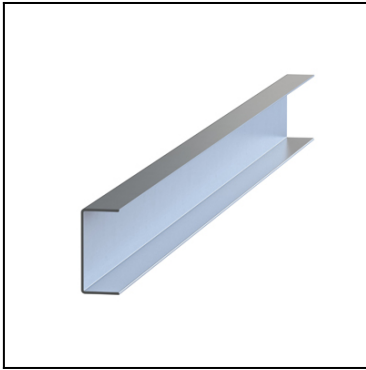
Type:	Accessory
IP Protection degrees:	IP20
Warranty (Years):	2
Units per box:	10
Net Weight (Kg):	1.33
EAN:	8435111092712,00



### MATERIALS / FINISHES

**Structure material:** Anodized aluminium  
ABS

71-1554-54-00



Recessing kit for brick wall

---

**Structure material:** Anodized aluminium

