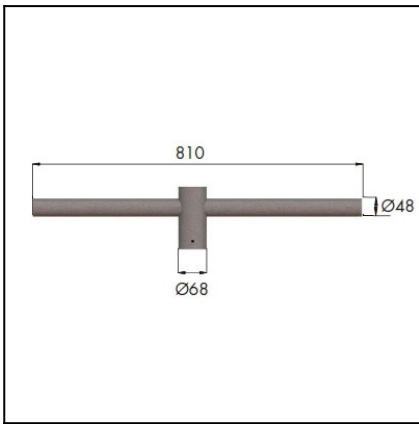


The photograph may not match the reference exactly. Please read the product description to identify the finish.



DESCRIPTION

Designer luminaire for urban and street lighting. Comes with a high grade aluminium reflector and flat toughened glass closure. IP 66 for the optical group. Light casing designed for power ratings from 35W to 150W, using lamp-holders E27, E40 and G12 according to the type of lamp. Magnetic equipment incorporated: Vossloh, ELT.

TECHNICAL CHARACTERISTICS

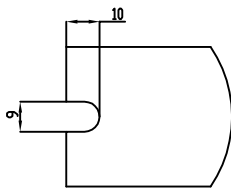
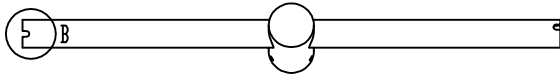
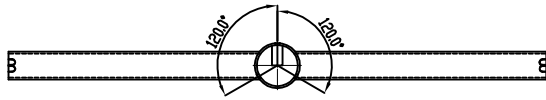
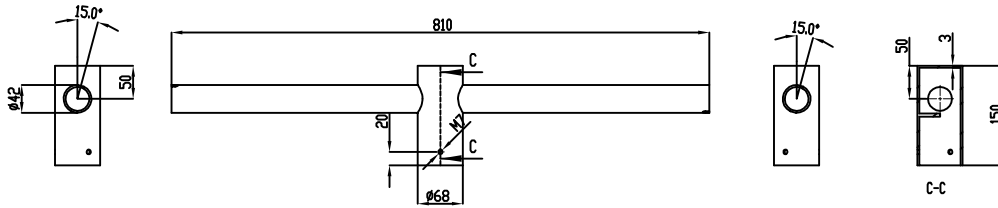
Type:	Accessory
Warranty (Years):	2
Units per box:	1
Net Weight (Kg):	2.81
EAN:	8435111070413,00



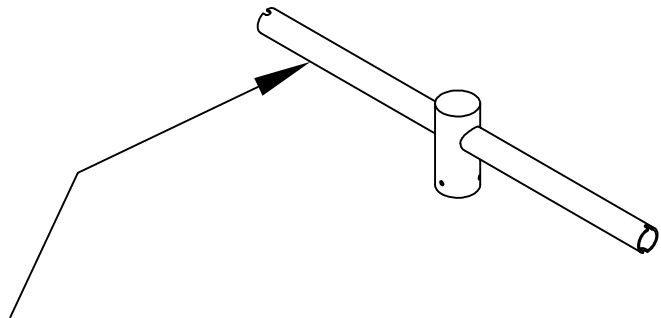
MATERIALS / FINISHES

Structure material: S-235-JR hot-dipped galvanized steel

[Download photometric file .ldt /.ies](#)

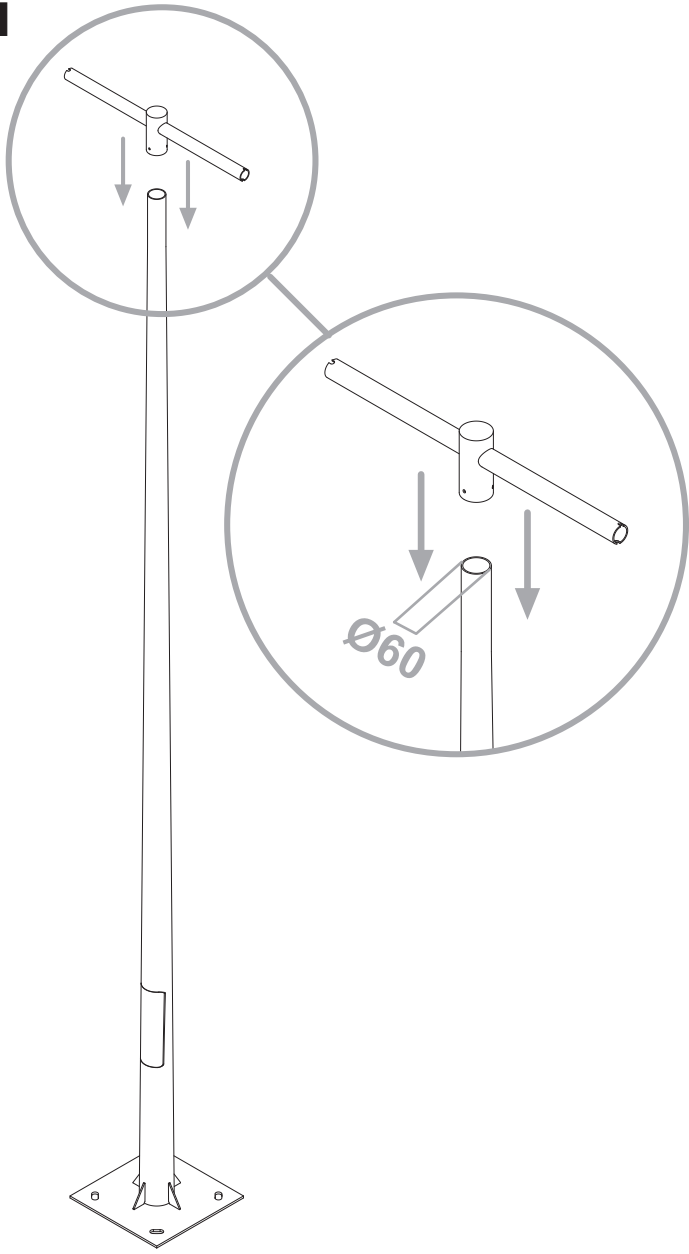


1 (1:1)

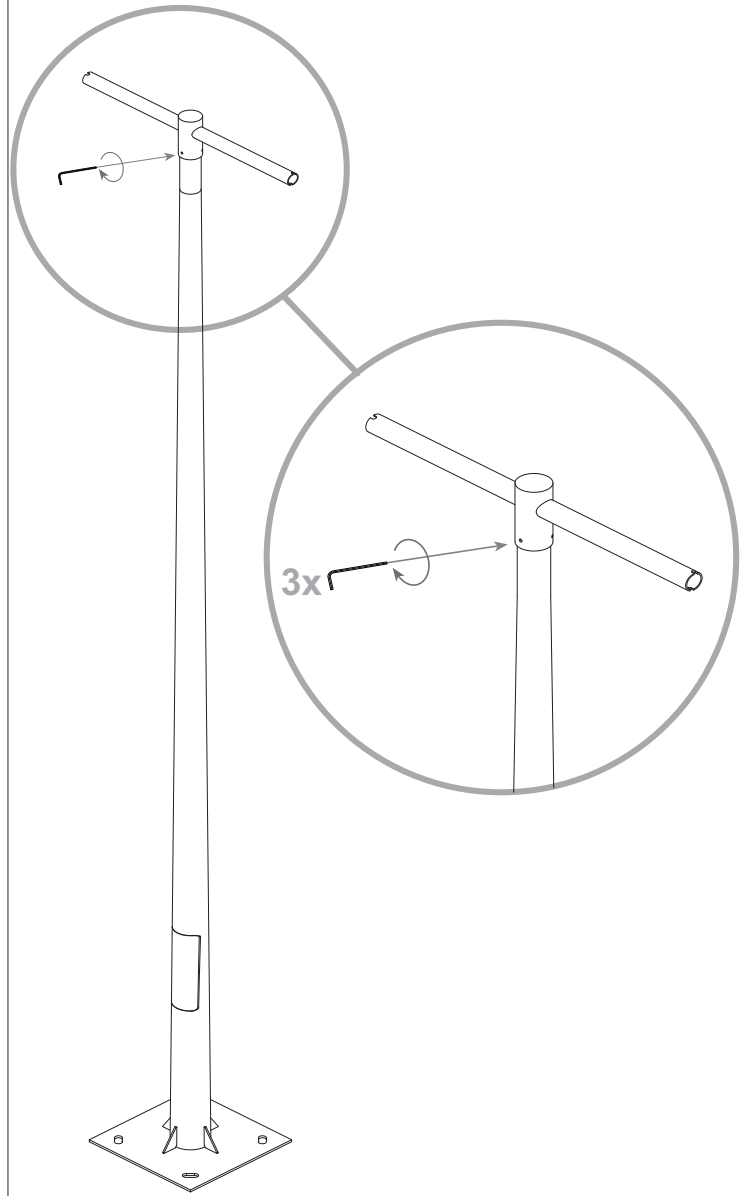


GALVANIZED IRON / HIERRO GALVANIZADO

1



2



3

