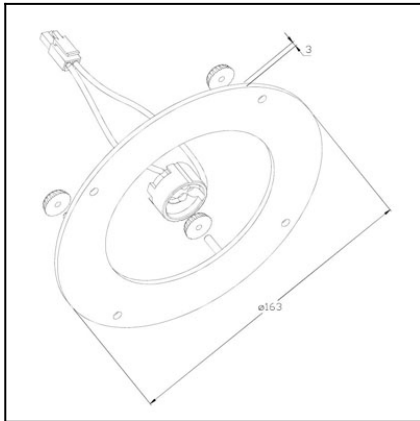


KIT QR-111LED(30-4393) 71-4393-N3-N3

Design by Estudi Ribaudí



The photograph may not match the reference exactly. Please read the product description to identify the finish.



Download photometric file .ldt /.ies

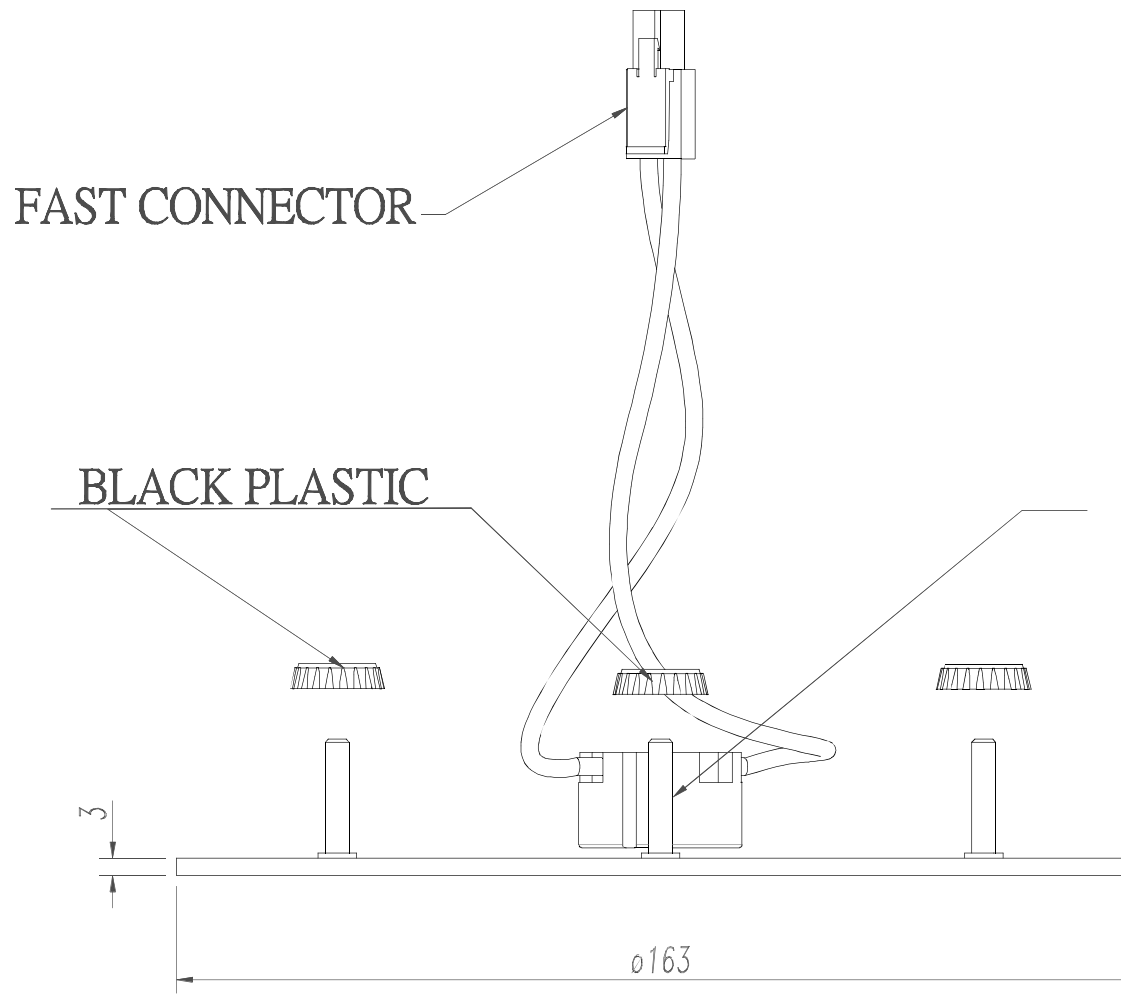
TECHNICAL CHARACTERISTICS

Type:	Accessory
Lampholder:	1 x GU10
Power (W):	GU10 15
Voltage / Frequency:	100-240V/50-60Hz
Warranty (Years):	2
Units per box:	1
EAN:	8435381401665,00

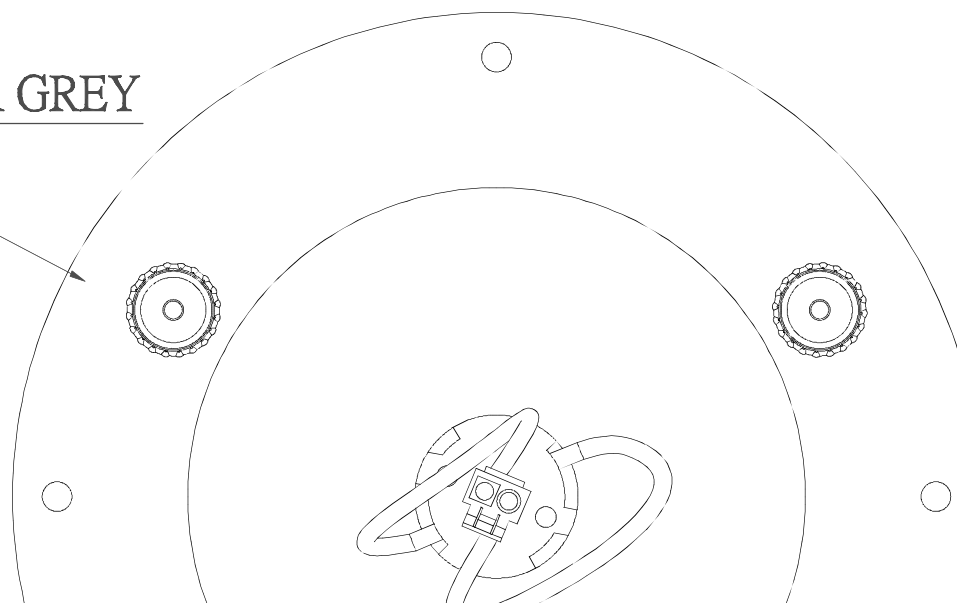


MATERIALS / FINISHES

Structure material: Steel
Structure finish: Grey

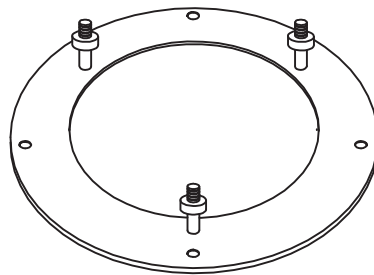
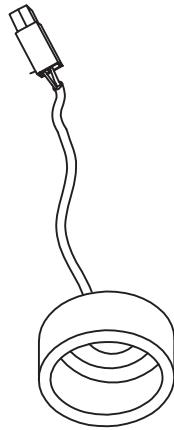


IRON/SATIN NICKEL OR GREY

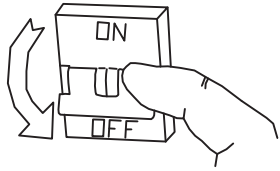


71-4393-CF-CF

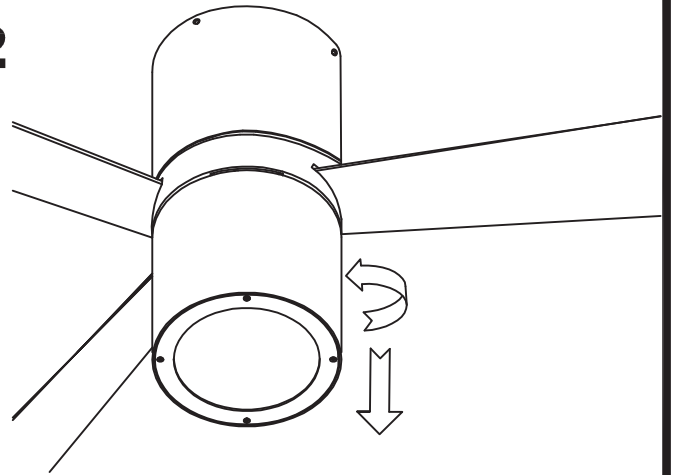
71-4393-N3-N3



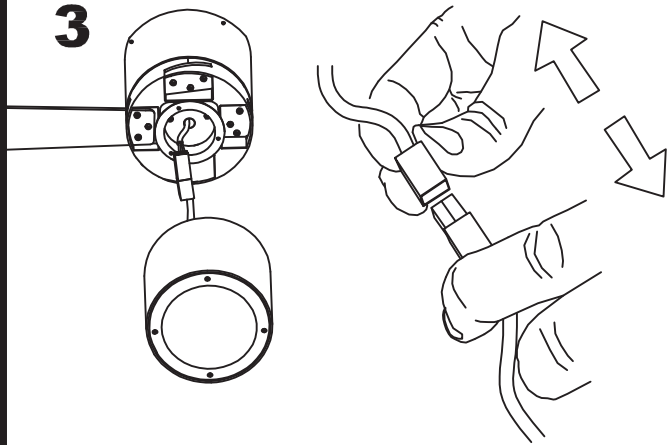
1



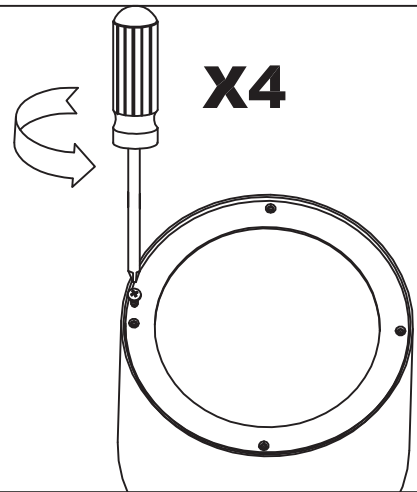
2



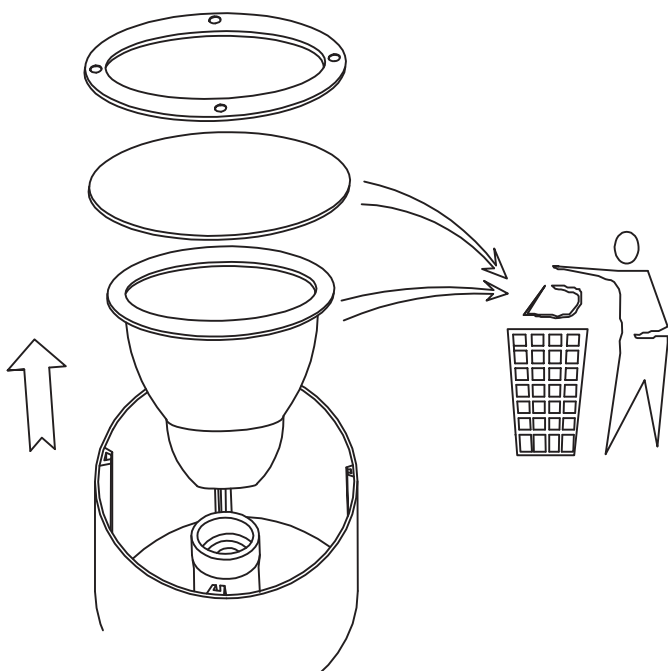
3



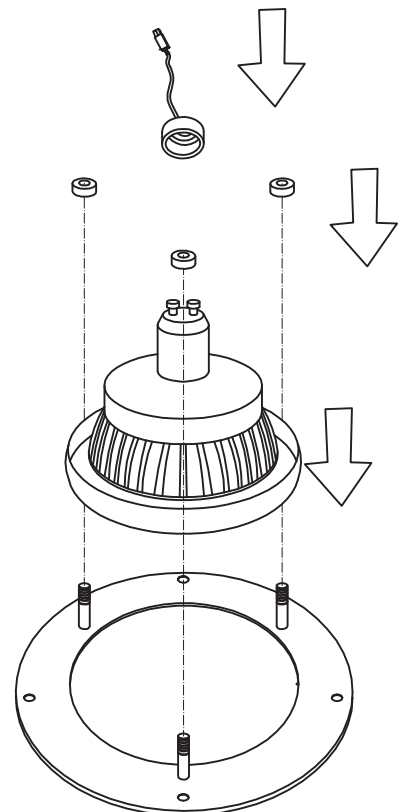
4



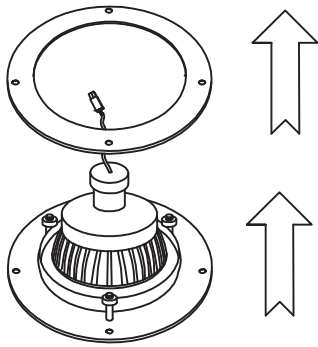
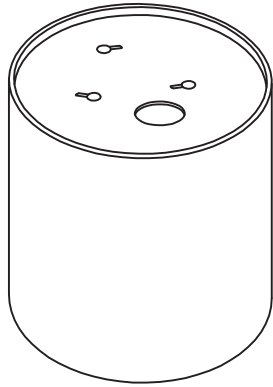
5



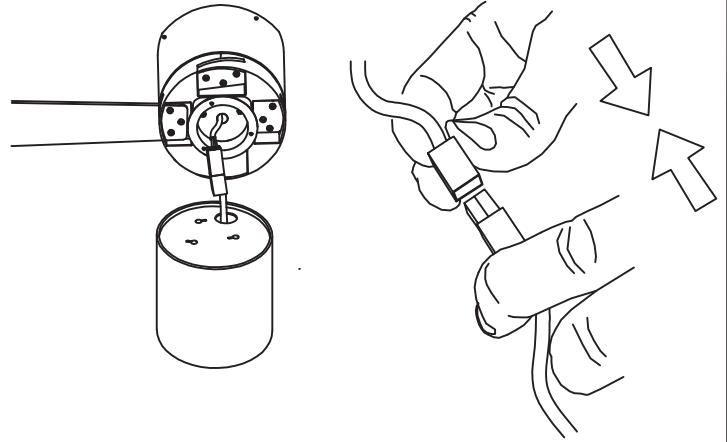
6



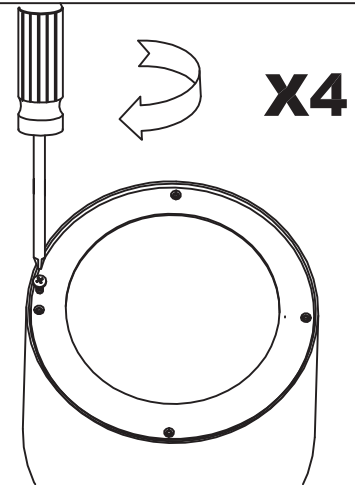
7



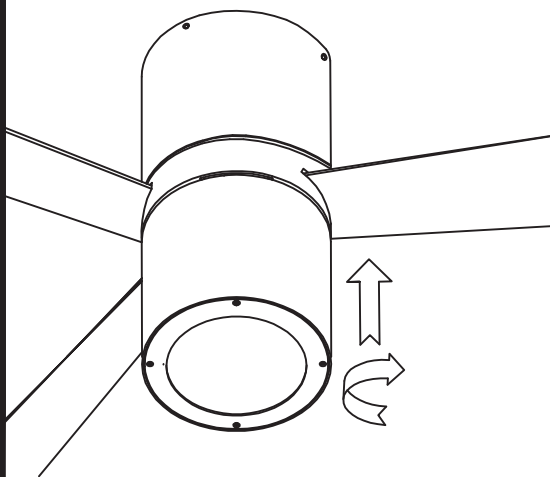
8



9



10



11

