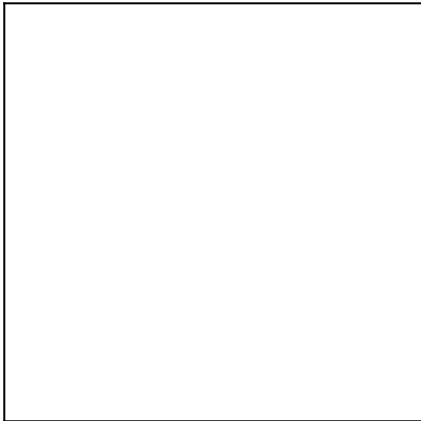


KIT DE LLUM PER REF: 30-4398-J7-J7 71-4398-J7-F9



The photograph may not match the reference exactly. Please read the product description to identify the finish.



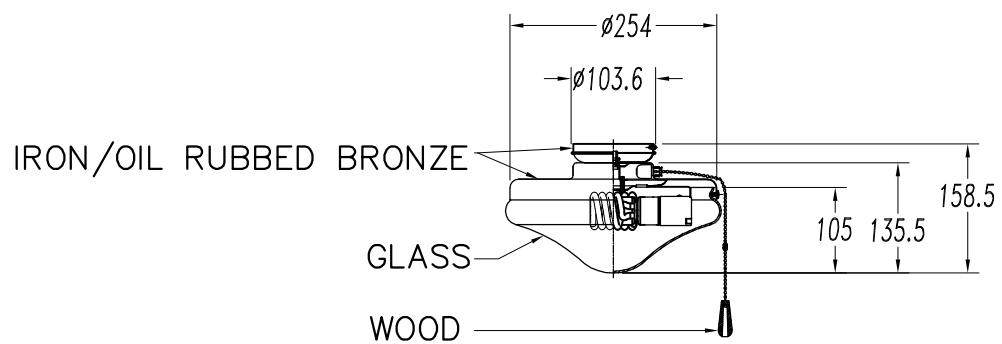
Download photometric file .ldt /.ies

TECHNICAL CHARACTERISTICS

Type:	Accessory
IP Protection degrees:	IP20
Lampholder:	2 x E27 2 x E27
Power (W):	E27 18 W E27 60 W
Voltage / Frequency:	230-240V / 50-60Hz
Units per box:	4
Net Weight (Kg):	1.08
EAN:	8435111082621



MATERIALS / FINISHES





LEDS-C4

IMC 71-4398-J7-F9

