

**OUT** **3/4 A DIAM. 60  
71-4470-BP-BP**

The photograph may not match the reference exactly. Please read the product description to identify the finish.

[Download photometric file .ldt / .ies](#)

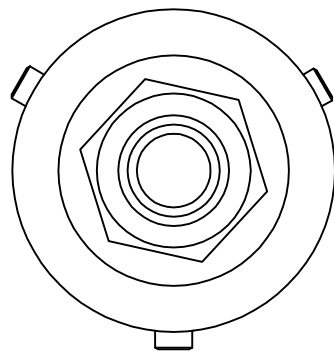
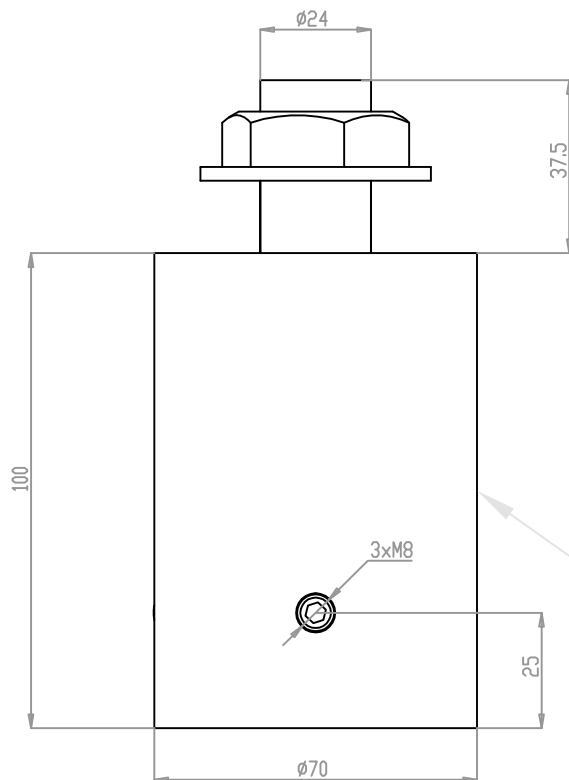
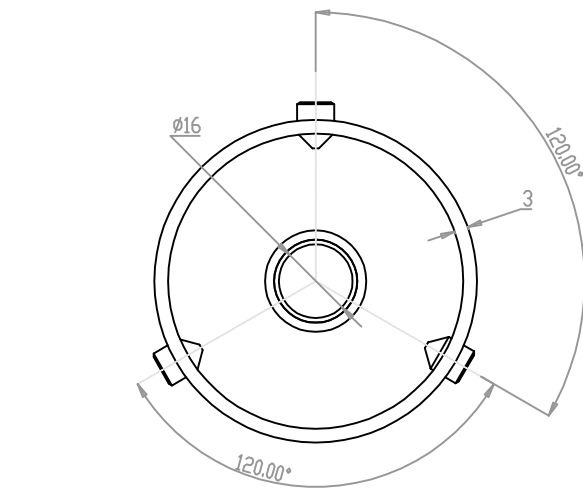
**TECHNICAL CHARACTERISTICS**

Type:	Accessory
Warranty (Years):	2
Units per box:	20
Net Weight (Kg):	0.78
EAN:	8435111077146,00

**MATERIALS / FINISHES**

**Structure material:** S-235-JR hot-dipped galvanized steel

**Structure finish:** Matt black



GALVANIZED IRON  
AND PAINTED  
IN BP FINISH /  
HIERRO  
GALVANIZADO  
Y PINTADO EN  
ACABADO BP