

OUT 

# TRANSFORMADOR ESTANCO 230V/12V AC

## 100W

### 71-9197-05-05



The photograph may not match the reference exactly. Please read the product description to identify the finish.

#### TECHNICAL CHARACTERISTICS

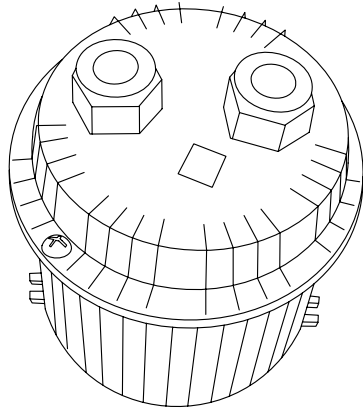
Type:	Accessory
IP Protection degrees:	IP68 (1m)
Voltage / Frequency:	230V/50Hz
Units per box:	6
Net Weight (Kg):	2.035
EAN:	8435111044889



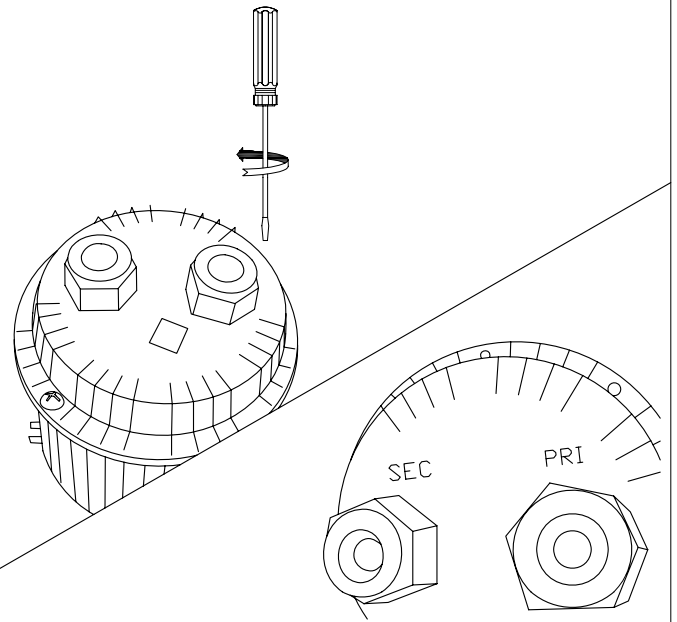
#### MATERIALS / FINISHES

[Download photometric file .ldt / .ies](#)

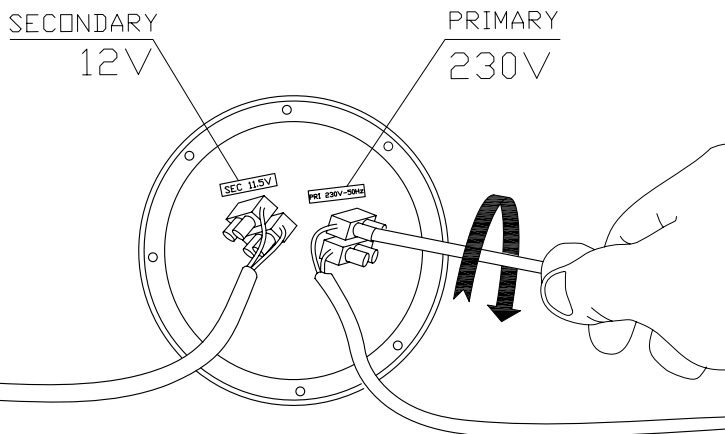
①



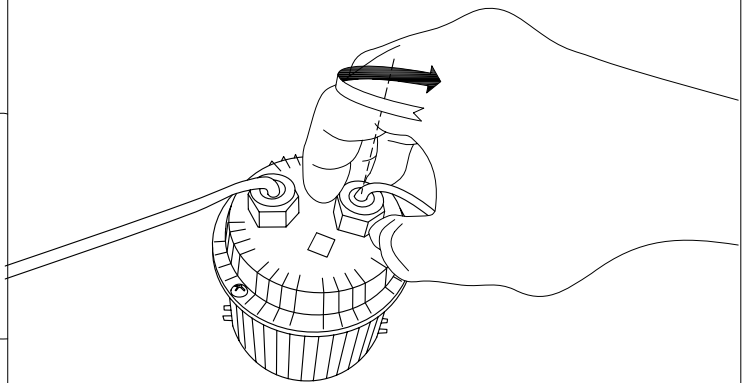
②



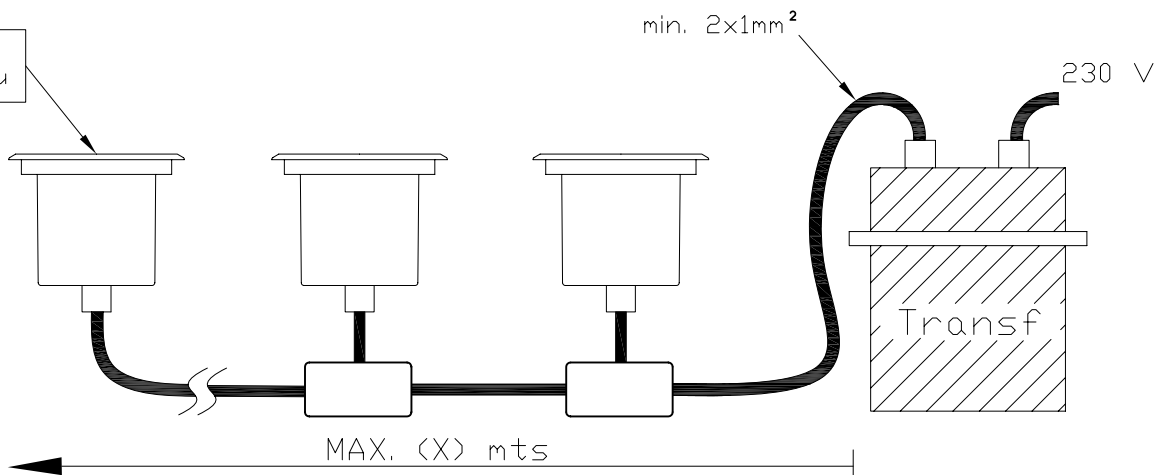
③



④



55-9354 -> max. 8u  
55-9377 -> max. 31u



(X)	10W	25W	50W	100W
1mm <sup>2</sup>	25m	10m	5m	2,5m
1,5mm <sup>2</sup>	40m	16m	8m	4m