

OUT 

FUENTE ALIMENT. ESTANCA 230V/12V DC 20W

71-9198-05-05



TECHNICAL CHARACTERISTICS

Type:	Accessory
IP Protection degrees:	IP68 (1m)
Voltage / Frequency:	230V/50Hz
Units per box:	6
Net Weight (Kg):	1.37
EAN:	8435111044896



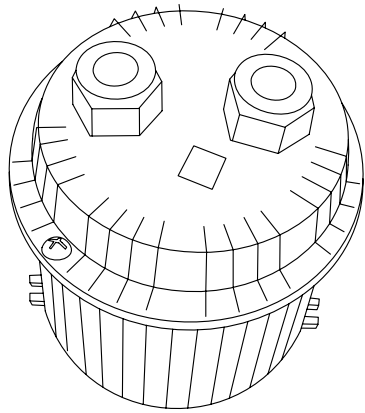
Download photometric file .ldt /.ies

MATERIALS / FINISHES

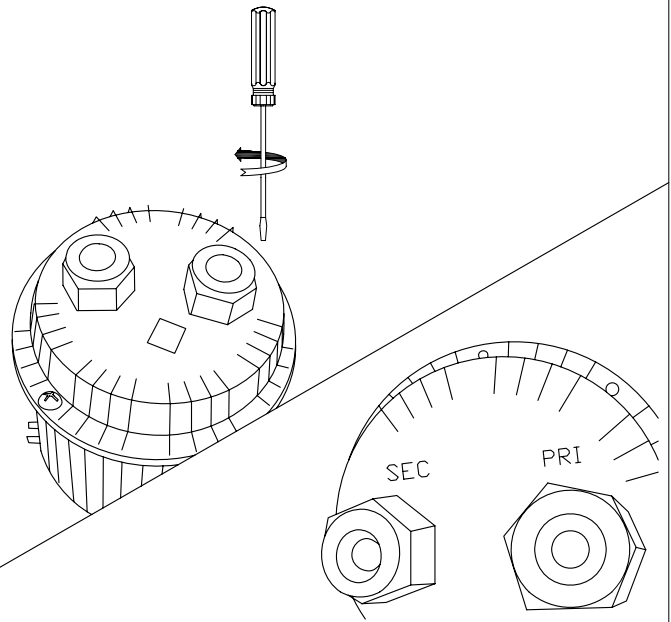
NO

APLICA

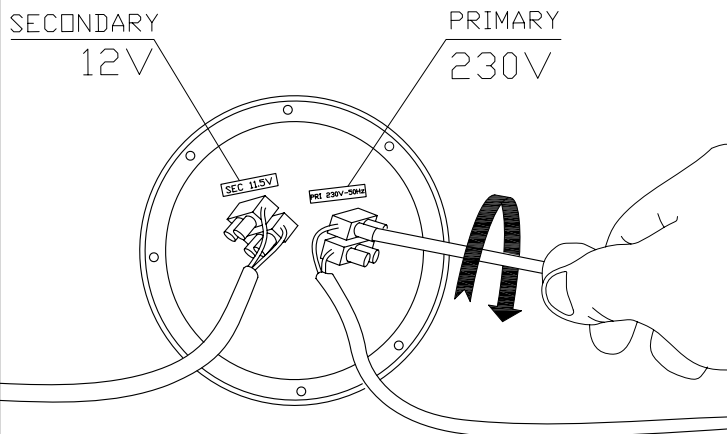
①



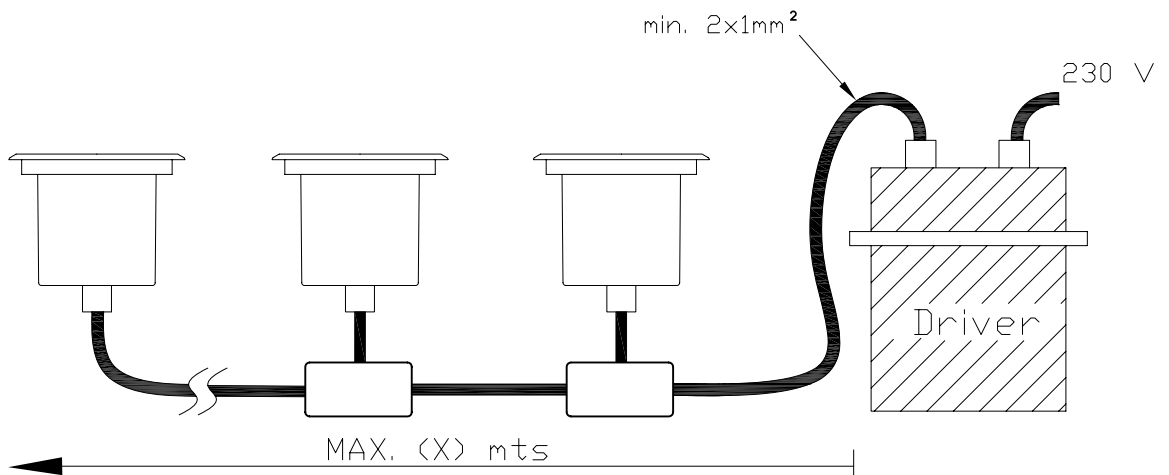
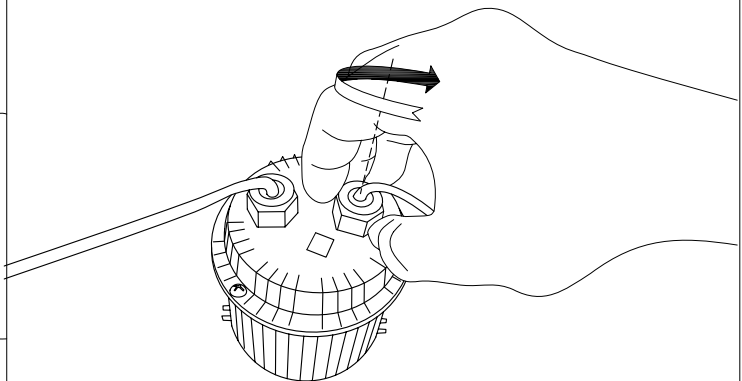
②



③



④



(X)	10W	20W
1mm ²	25m	12,5m
1,5mm ²	40m	20m