

OUT 

CAJA DE CONEXIONES ESTANCA

71-9262-05-05



The photograph may not match the reference exactly. Please read the product description to identify the finish.

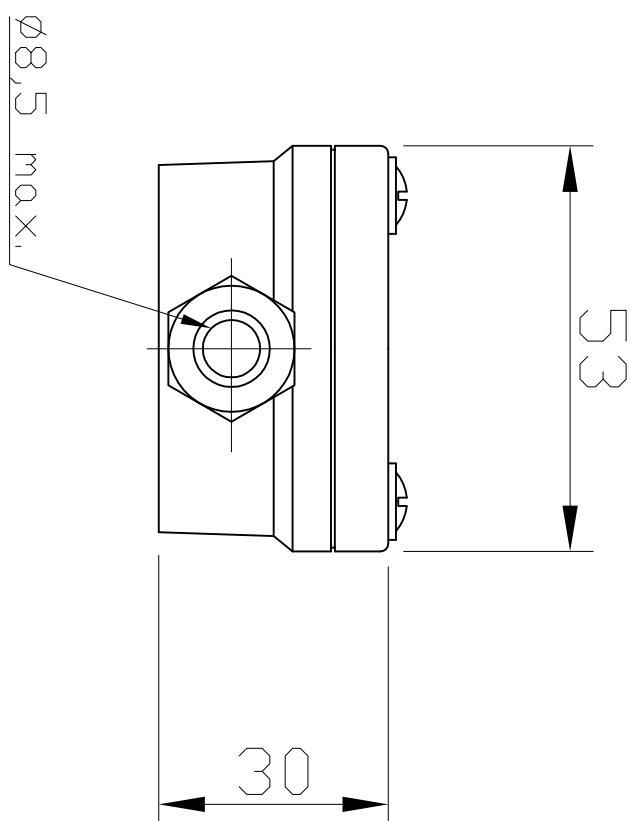
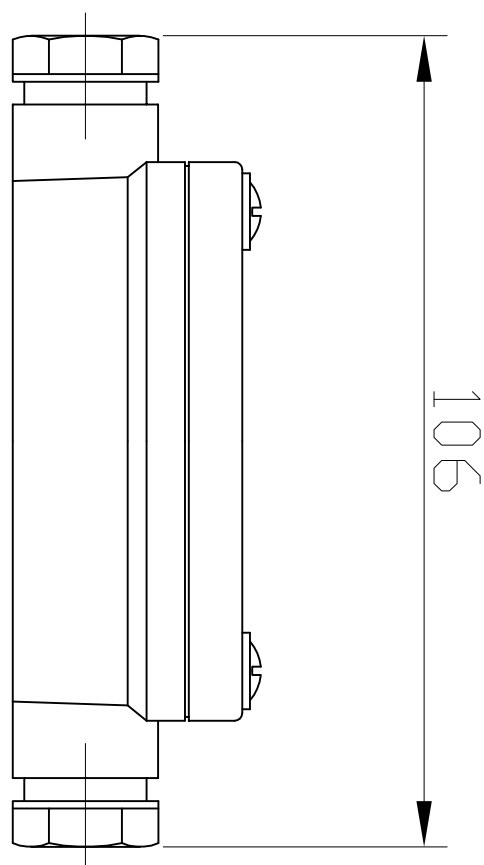
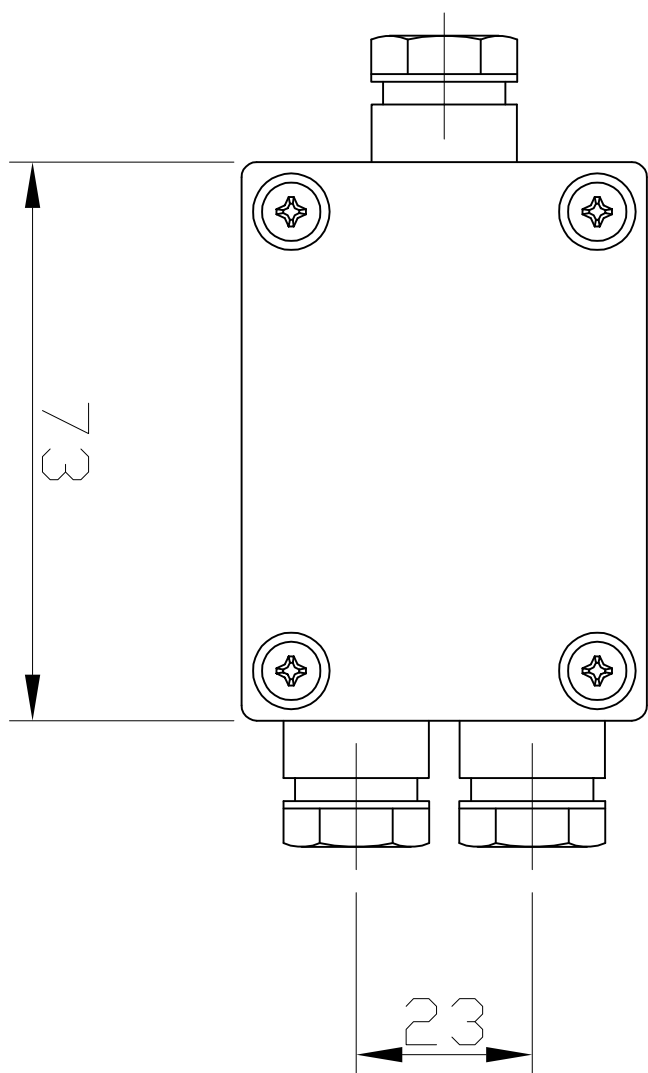
TECHNICAL CHARACTERISTICS

Type:	Accessory
IP Protection degrees:	IP67
Units per box:	48
Net Weight (Kg):	0.09
EAN:	8435111049525



MATERIALS / FINISHES

[Download photometric file .ldt /.ies](#)



1

