

**OUT** **FUENTE ALIMENT. ESTANCA 230V/3V DC  
10W****71-9278-05-05**

The photograph may not match the reference exactly. Please read the product description to identify the finish.

**TECHNICAL CHARACTERISTICS**

Type:	Accessory
IP Protection degrees:	IP68 (1m)
Voltage / Frequency:	230V/50Hz
Units per box:	6
Net Weight (Kg):	1.345
EAN:	8435111052358

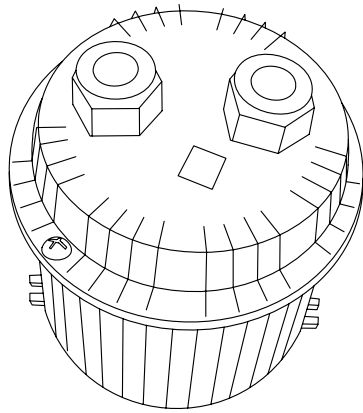
**MATERIALS / FINISHES**

Download photometric file .ldt /.ies

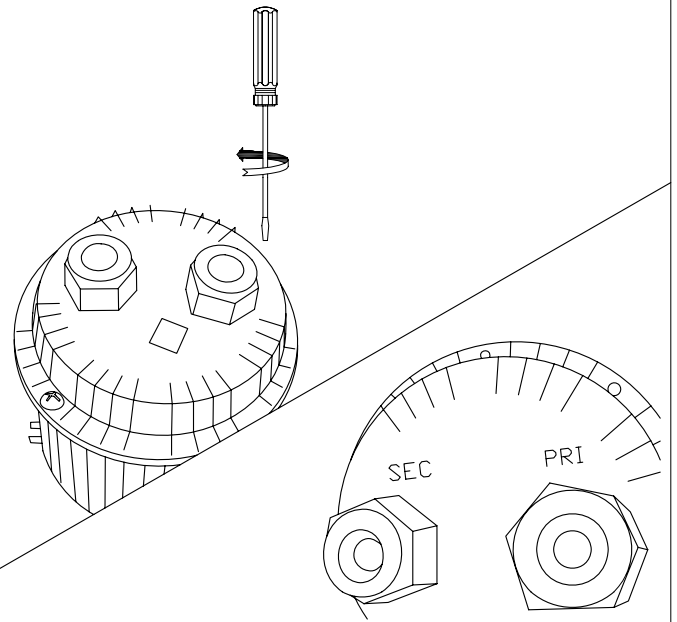
***NO***

***APLICA***

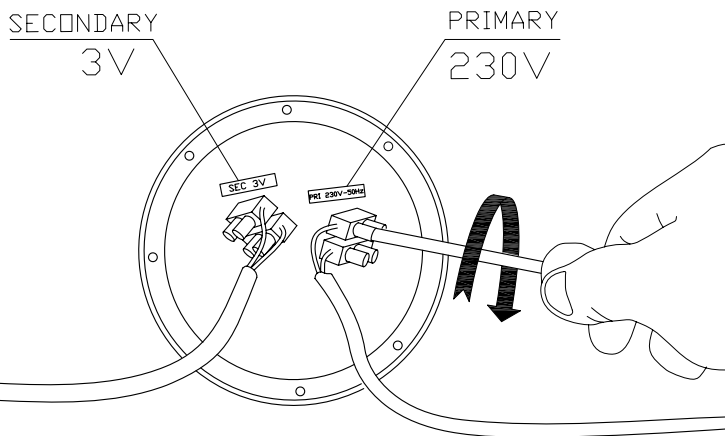
①



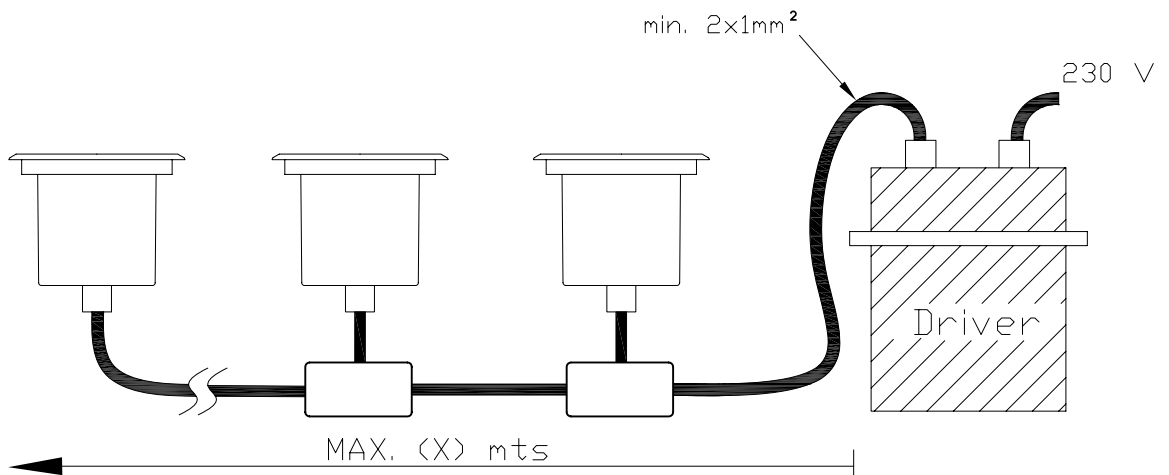
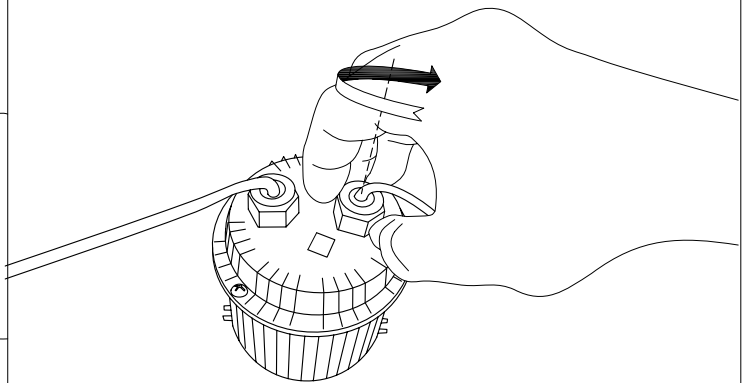
②



③



④



(X)	5W	10W
1mm <sup>2</sup>	4m	2m
1,5mm <sup>2</sup>	6m	3m