

**OUT** 

# CONECTOR 3 POLOS IP68 3 VÃAS

## 71-9396-05-05



The photograph may not match the reference exactly. Please read the product description to identify the finish.

### TECHNICAL CHARACTERISTICS

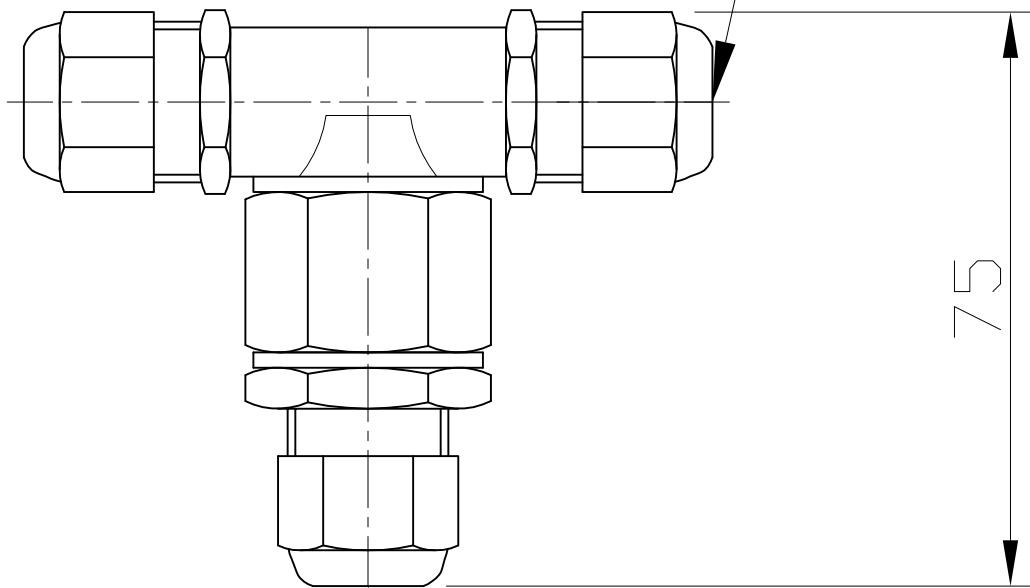
Type:	Accessory
IP Protection degrees:	IP68 (1m)
Units per box:	1
Net Weight (Kg):	0.055
EAN:	8435111098721



### MATERIALS / FINISHES

[Download photometric file .ldt /.ies](#)

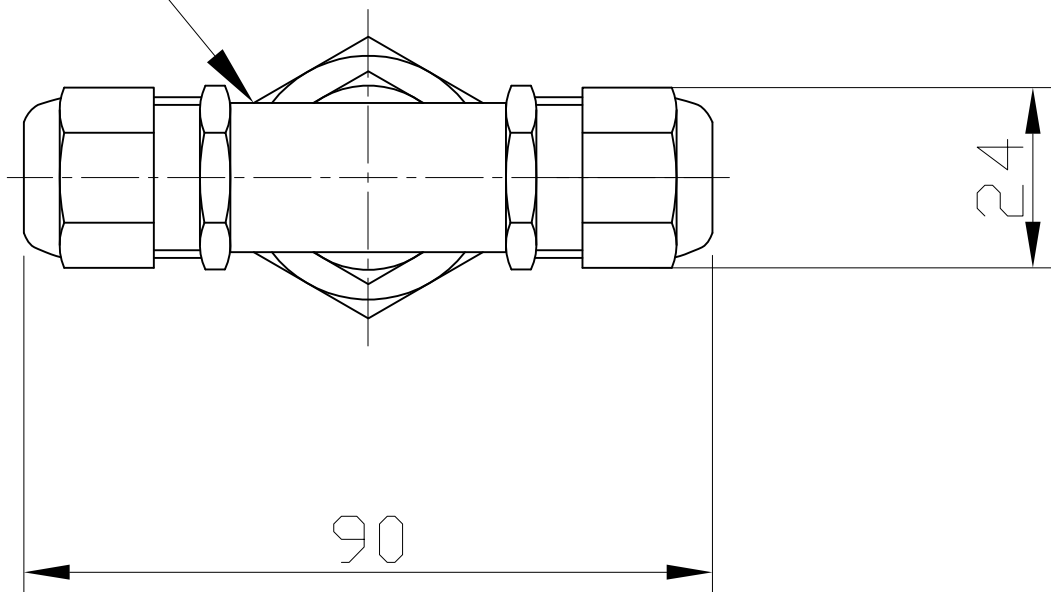
Pasacables  $\phi 5$  a  $\phi 13$   
For wires from  $\phi 5$  to  $\phi 13$



75

Conector  
3 vias 3 polos  
connection  
3 ways 3 wires

Pasacables  $\phi 5$  a  $\phi 13$   
For wires from  $\phi 5$  to  $\phi 13$



24

90

***NO***

***APLICA***