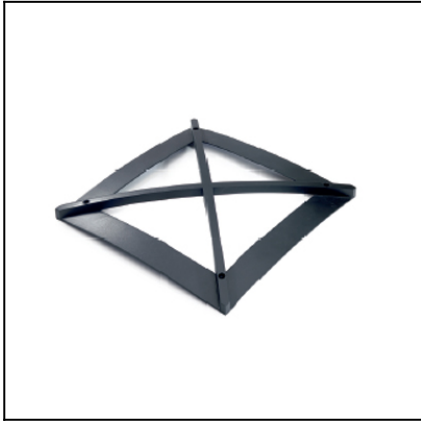
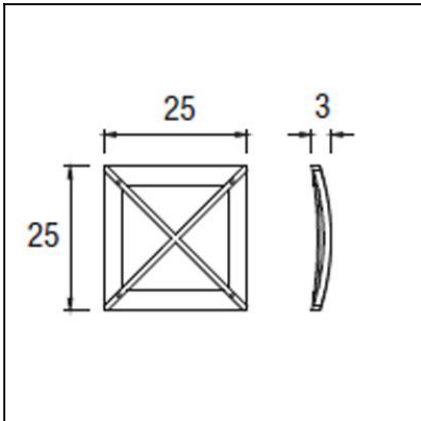


ACCESORIO PARA 05-9444 71-9445-Z5-Z5

OUT 



The photograph may not match the reference exactly. Please read the product description to identify the finish.



Download photometric file .ldt /.ies

TECHNICAL CHARACTERISTICS

Type:	Accessory
Units per box:	6
Net Weight (Kg):	0.125
EAN:	8435111076200



MATERIALS / FINISHES

Structure material:	Polycarbonate
Structure finish:	Urban grey

NO

APLICA

NO

APLICA