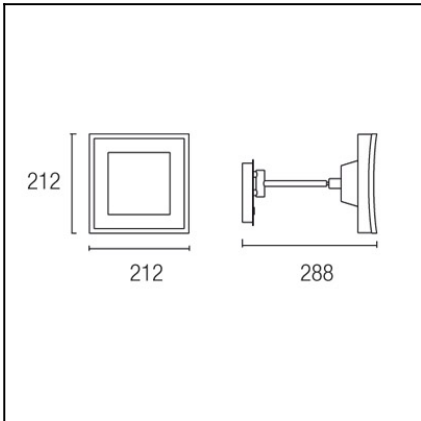




The photograph may not match the reference exactly. Please read the product description to identify the finish.



### TECHNICAL CHARACTERISTICS

Type:	Mirror
Adjustable $\pm 45^\circ$ on the vertical axis	
IP Protection degrees:	IP44
Lampholder:	1 x GX53
Power (W):	GX53 9W
Total power consumption (W):	9
Voltage / Frequency:	220-240V/50-60Hz
Units per box:	1
Net Weight (Kg):	1.88
EAN:	8435111080641



### MATERIALS / FINISHES

**Structure material:** Mirror  
**Structure finish:** Chrome

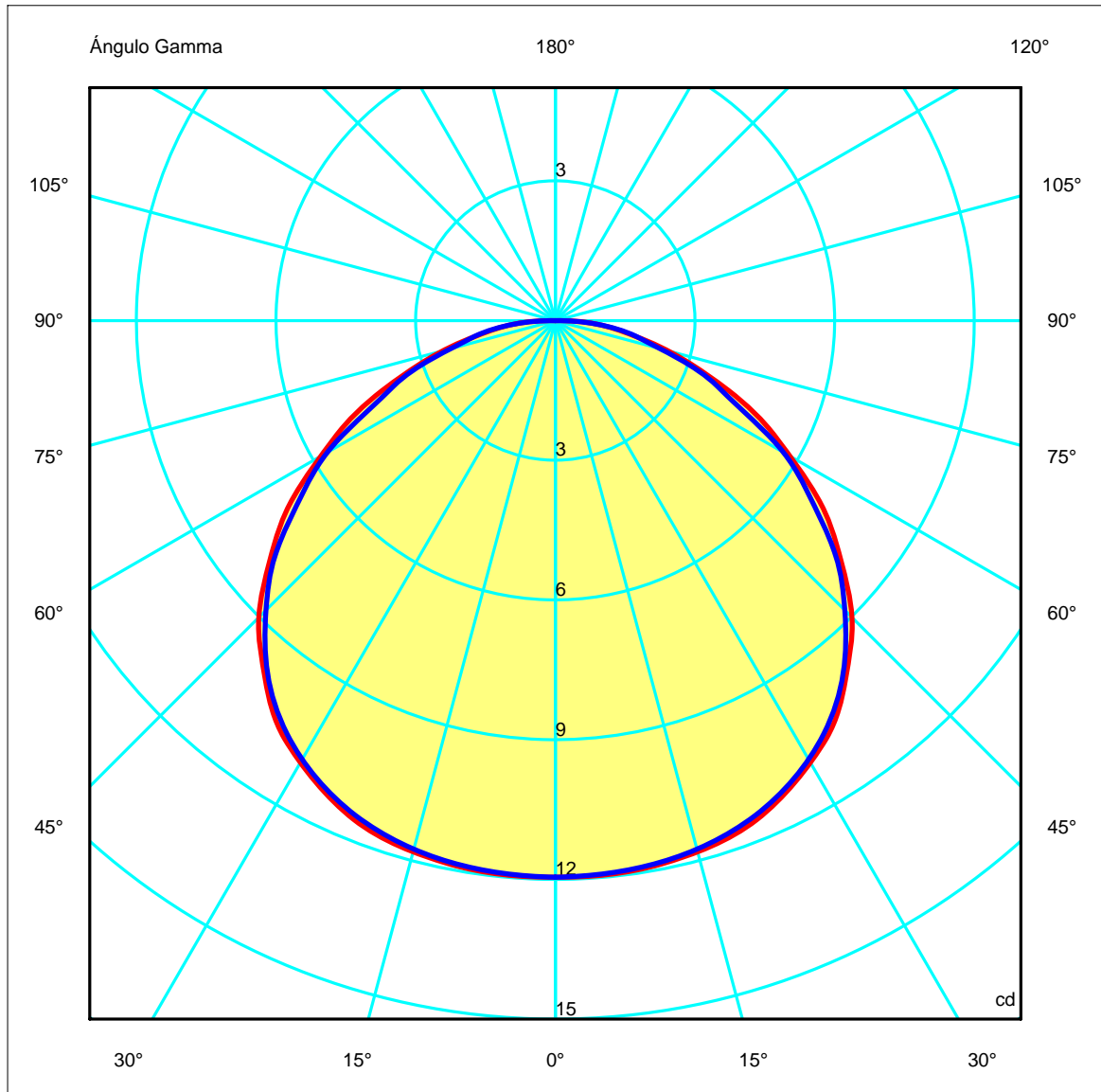
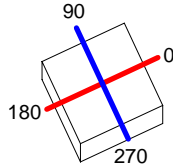
Download photometric file .ldt /.ies

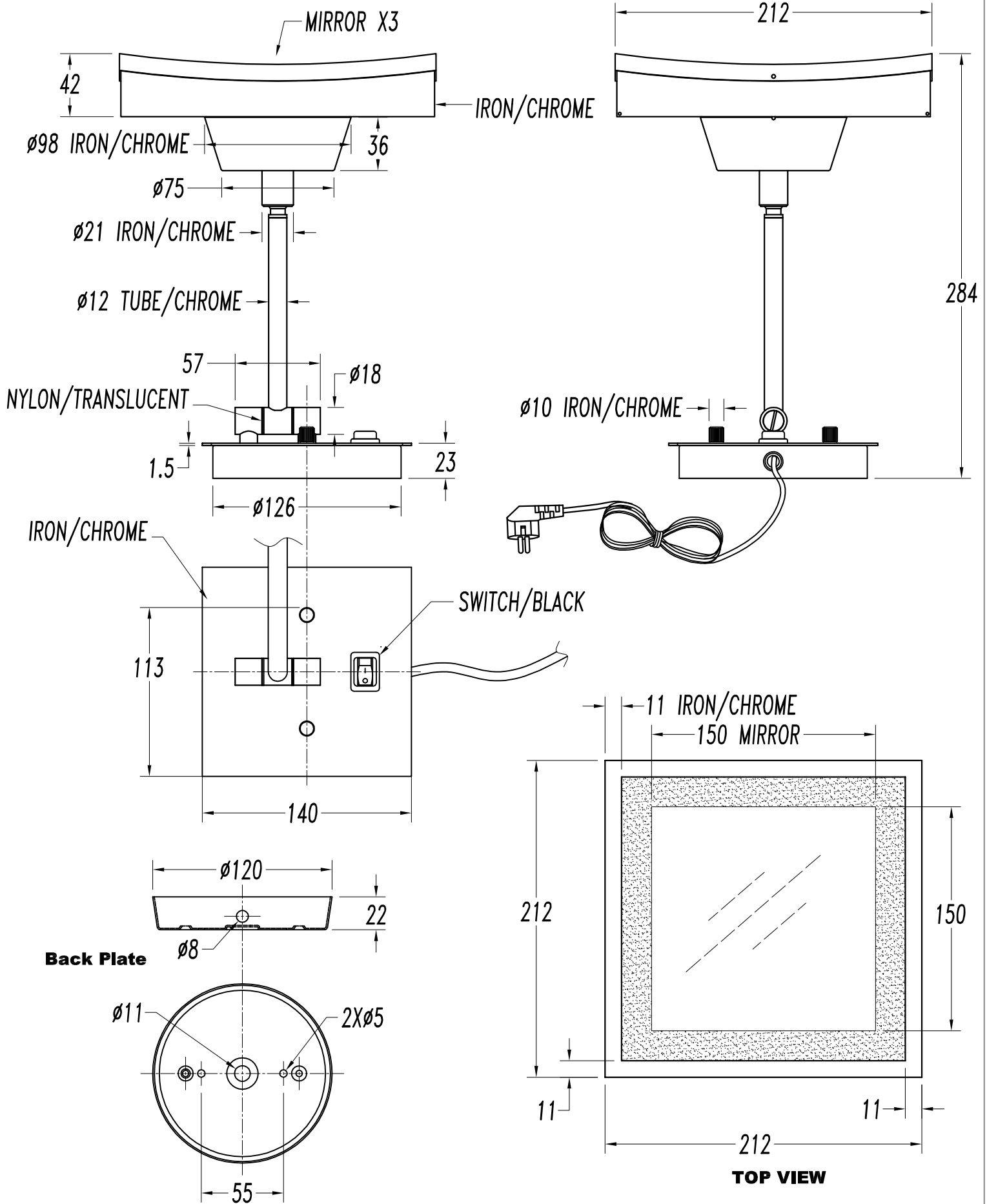
<b>Luminaria</b>		<b>Ensayo</b>		<b>Lámpara</b>	
Código	75-4366-21-KS	Código	75-4366-21-KS	Código	GX0109i
Nombre	Aplicque 1x9W GX53 opal +espejo	Nombre	Aplicque 1x9W GX53 opal +espejo	Número	1
Familia	- LEDS-C4	Fecha	13-09-2010	Posición	Universal
Eficiencia	13.23%	Sist. de Coorden.	C-G	Flujo Total	280.00 lm
Valor Máximo	11.95 cd	Posición	C=0.00 G=5.00	Bisimétrico	

210mm x 210mm

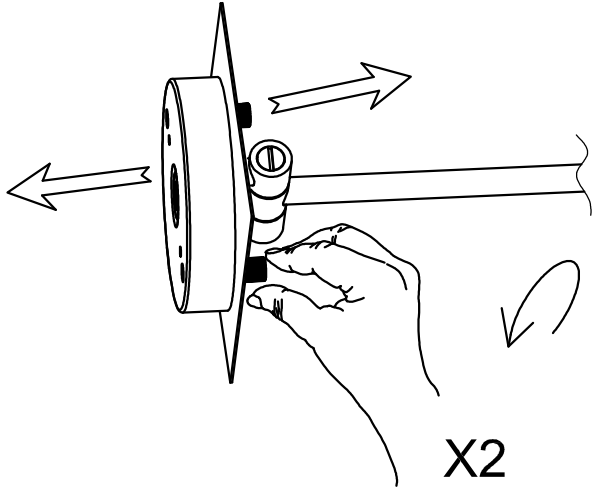
Semiplanos C

180.0 ——— 0.0  
270.0 ——— 90.0

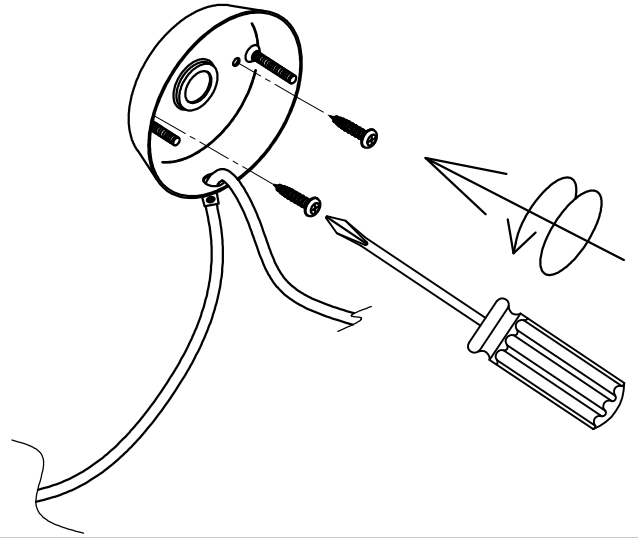




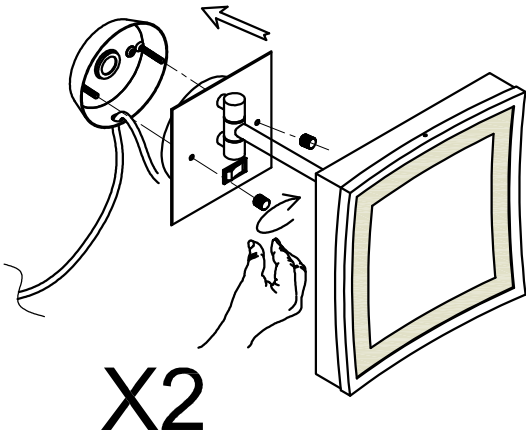
**1**



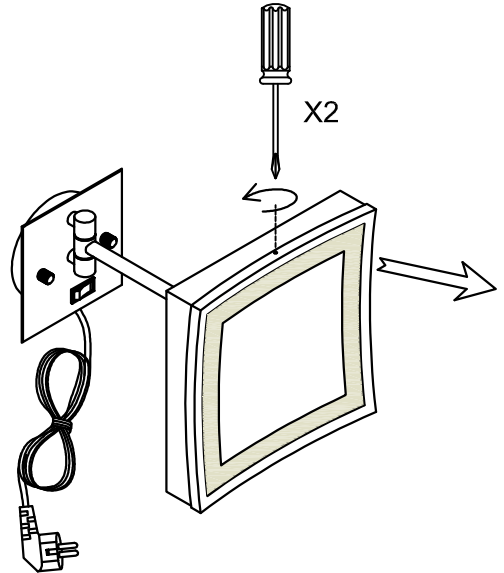
**2**



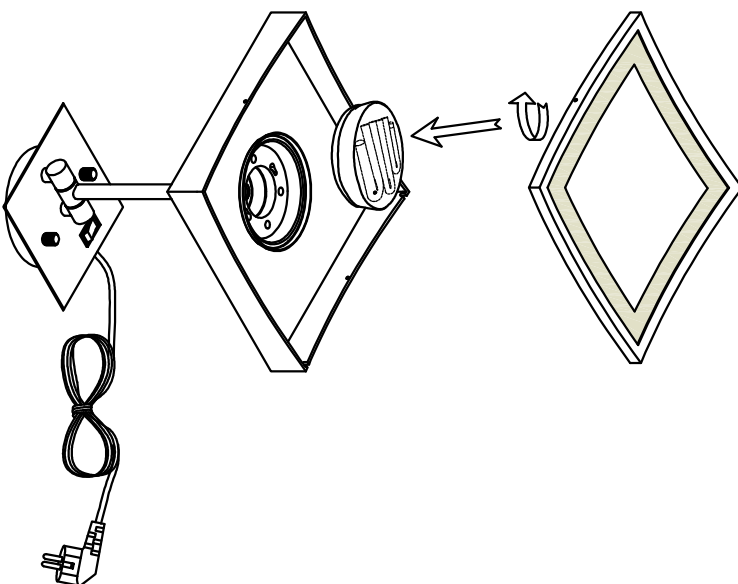
**3**



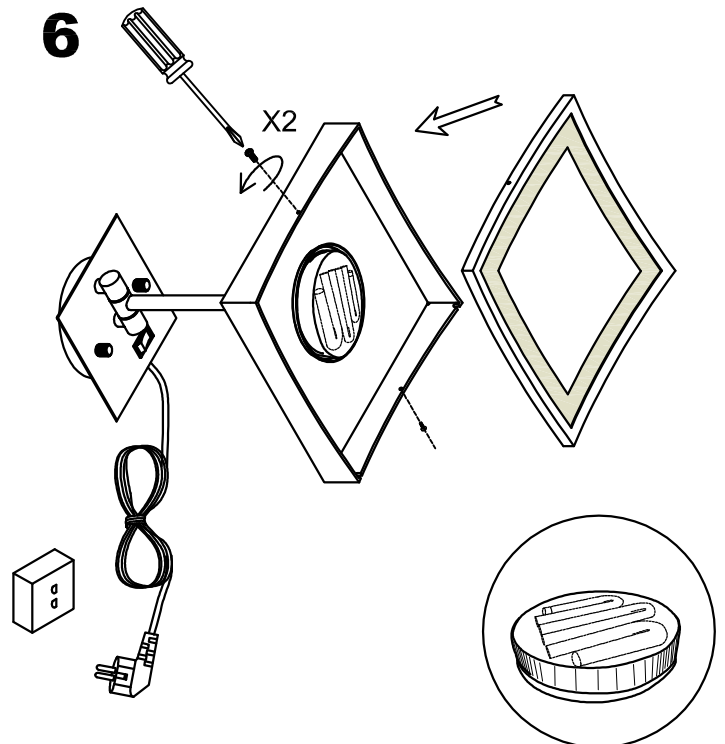
**4**



**5**



**6**





ERROR: syntaxerror  
OFFENDING COMMAND: --nostringval--

STACK:

/Title  
( )  
/Subject  
(D:20100728171148+02'00')  
/ModDate  
( )  
/Keywords  
(PDFCreator Version 0.9.5)  
/Creator  
(D:20100728171148+02'00')  
/CreationDate  
(mribera)  
/Author  
-mark-