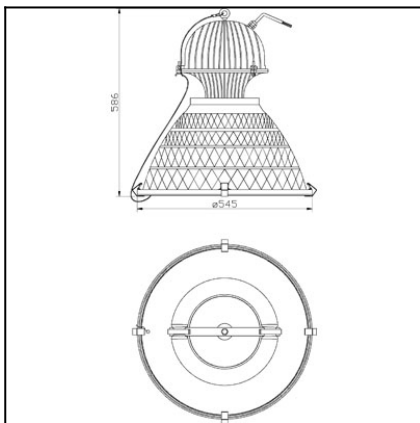




The photograph may not match the reference exactly. Please read the product description to identify the finish.

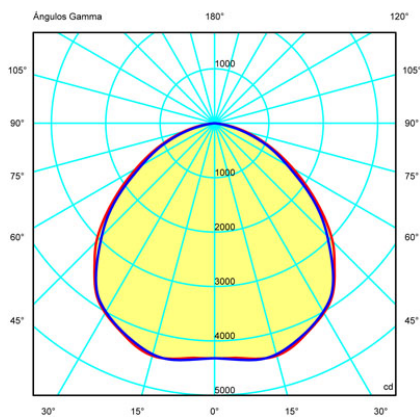
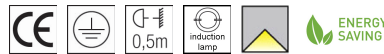


### DESCRIPTION

Magnetic induction lamp hood. For power ratings of 150W, 250W and 300W (with the possibility of using other non-catalogued power ratings). High grade spun aluminium reflector and flat toughened glass closure. Fitting of the luminaire via steel cable or chain (not supplied).

### TECHNICAL CHARACTERISTICS

Type:	HIGH BAY
IP Protection degrees:	IP43
IK Protection degrees:	IK08
Lampholder:	1 x . Neutral white - 5000K
Power (W):	300 W
Total power consumption (W):	316
Luminous efficacy (Lm/W):	80
CRI:	70
Voltage / Frequency:	110-240V/50-60Hz
Warranty (Years):	2
Units per box:	1
Net Weight (Kg):	8.075
EAN:	8435381401887,00



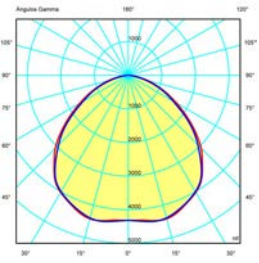
Download photometric file .ldt / .ies

### MATERIALS / FINISHES

<b>Structure material:</b>	Injected aluminium Spin forming aluminium	<b>Diffuser material:</b>	Tempered glass
<b>Structure finish:</b>	Textured grey Anodized		

### GEAR

Multi-voltage electronic gear included (110-240 V / 50-60 Hz)



**LEDS-C4**

