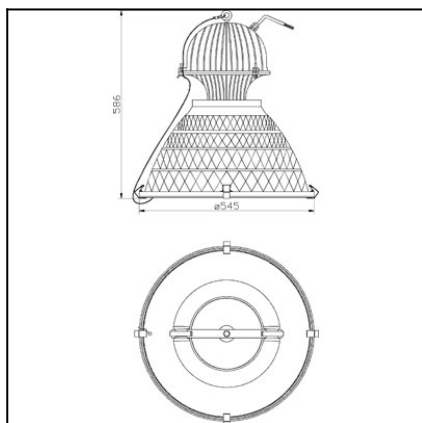




The photograph may not match the reference exactly. Please read the product description to identify the finish.

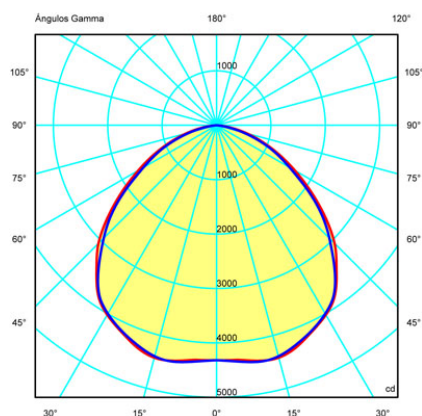
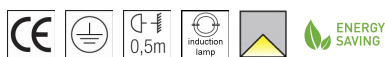


DESCRIPTION

Magnetic induction lamp hood. For power ratings of 150W, 250W and 300W (with the possibility of using other non-catalogued power ratings). High grade spun aluminium reflector and flat toughened glass closure. Fitting of the luminaire via steel cable or chain (not supplied).

TECHNICAL CHARACTERISTICS

| | |
|------------------------------|-----------------------------|
| Type: | HIGH BAY |
| IP Protection degrees: | IP54 |
| IK Protection degrees: | IK08 |
| Lampholder: | 1 x . Neutral white - 5000K |
| Power (W): | 150 W |
| Total power consumption (W): | 154.5 |
| Luminous efficacy (Lm/W): | 80 |
| CRI: | 70 |
| Voltage / Frequency: | 110-240V/50-60Hz |
| Warranty (Years): | 2 |
| Units per box: | 1 |
| Net Weight (Kg): | 8.075 |
| EAN: | 8435381401870,00 |



Download photometric file .ldt / .ies

MATERIALS / FINISHES

| | | | |
|----------------------------|--|---------------------------|----------------|
| Structure material: | Injected aluminium Spin forming aluminium | Diffuser material: | Tempered glass |
| Structure finish: | Textured grey Anodized | | |

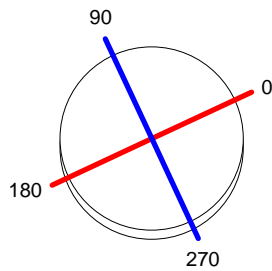
GEAR

Multi-voltage electronic gear included (110-240 V / 50-60 Hz)

| | | | | | |
|----------------------------|--------------------------------|-------------------------|--------------------------------|----------------|--------------------|
| Luminaria | | Ensayo | | Lámpara | |
| Código | 80-1505 | Código | CAMPANA INDUCC 300W | Código | 150W INDUCCION CAM |
| Nombre | Campana industr. 150W inducció | Nombre | Campana industr. 300W induccio | Número | 1 |
| Familia | - LEDS-C4 | Fecha | 28-05-2012 | Posición | Universal |
| Rendimiento | 49.23% | Sist. de Coorden. | C-G | Flujo Total | 12926.00 lm |
| Valor Máximo | 2382.22 cd | Posición | C=30.00 G=15.00 | Bisimétrico | |
| Luminaria Redonda | Diam. | 540 mm | Altura | 430 mm | |
| Área Luminosa Redonda | Diam. | 510 mm | Altura | 0 mm | |
| Área Luminosa Horizontal | 0.204282 m2 | | Área Emisión sobre Pl. 180° | 0.000000 m2 | |
| Área Emisión sobre Pl. 0° | 0.000000 m2 | | Área Emisión sobre Pl. 270° | 0.000000 m2 | |
| Área Emisión sobre Pl. 90° | 0.000000 m2 | | Área de deslumbramiento a 76° | 0.049420 m2 | |
| Tipo de Simetría | Bisimétrico | Máximo Ángulo Gamma | Flujo de Ensayo | 90 | 24000.00 lm |
| Distancia de Ensayo | 6.44 | | | | |
| Operador | Asselum T2 | Tensión de alimentación | Corriente de alimentación | 230.00 V | |
| Temperatura | 22.00 °C | | | | |
| Humedad | 55.00 % | Fotocélula | | PRC | |
| Notas | | | | | |

| Lámparas de la Luminaria | | | | | |
|--------------------------|--------------------|------------------------|----------|--------|-------|
| Familia | Código | Nombre | Flujo/lm | Pot.W | Cant. |
| - LEDS C4 | 150W INDUCCION CAM | Lámpara 150W inducción | 12926.00 | 150.00 | 1 |
| C.I.E. | 53 85 98 100 49 | D DIN 5040 | A40 | | |
| F UTE | 0.49 D | B NBN | BZ 4 | | |

Diam=540mm



Semiplanos C

180.0 — 0.0
270.0 — 90.0

ULOR 0.00 %
DLOR 49.23 %
RN 0.00 %

