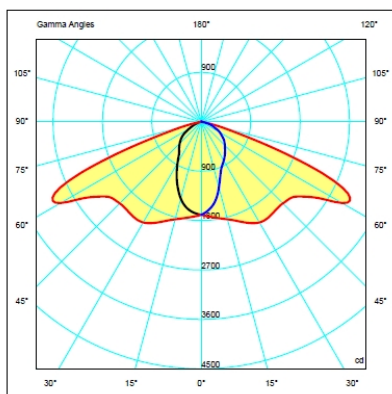
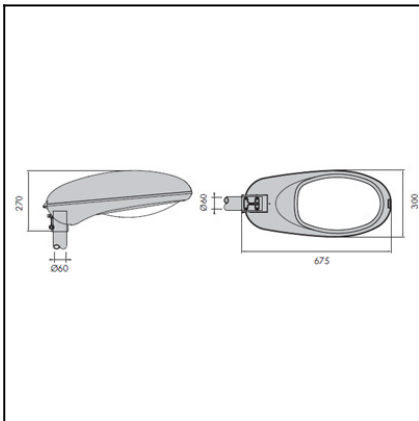




The photograph may not match the reference exactly. Please read the product description to identify the finish.



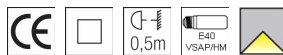
[Download photometric file .ldt / .ies](#)

DESCRIPTION

Luminaire for street lighting. Comes with a high grade aluminium reflector and a flat toughened glass closure. IP 66 for optical group. Light casing designed for power ratings from 45W to 400W, using lamp-holders E27, E40, G12 or PGZ12, according to the type of lamp. Magnetic equipment incorporated: Vossloh, ELT. Electronic equipment incorporated: Philips.

TECHNICAL CHARACTERISTICS

| | |
|---|-----------------------|
| Type: | Streetlight head |
| Adjustable $\pm 15^\circ$ on the horizontal axis. | |
| IP Protection degrees: | IP64 |
| IK Protection degrees: | IK08 |
| IP Grup Òptic: | IP66 |
| Lampholder: | 1 x E40 |
| Power (W): | E40 HS 150W (VSAP) 2N |
| Total power consumption (W): | 169.5 |
| Voltage / Frequency: | 230V/50Hz |
| Warranty (Years): | 2 |
| Units per box: | 1 |
| Net Weight (Kg): | 8.9 |
| EAN: | 8435111074374,00 |
| ULOR (%): | 0.61 |



MATERIALS / FINISHES

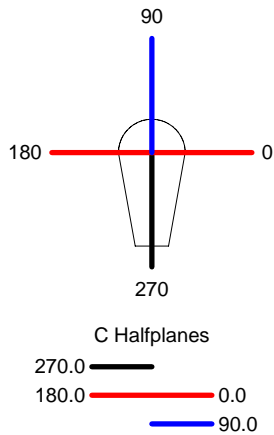
| | | | |
|----------------------------|--------------------|---------------------------|------------------------|
| Structure material: | Injected aluminium | Diffuser material: | Tempered glass |
| Structure finish: | Pearl grey | Diffuser finish: | Bended and transparent |

GEAR

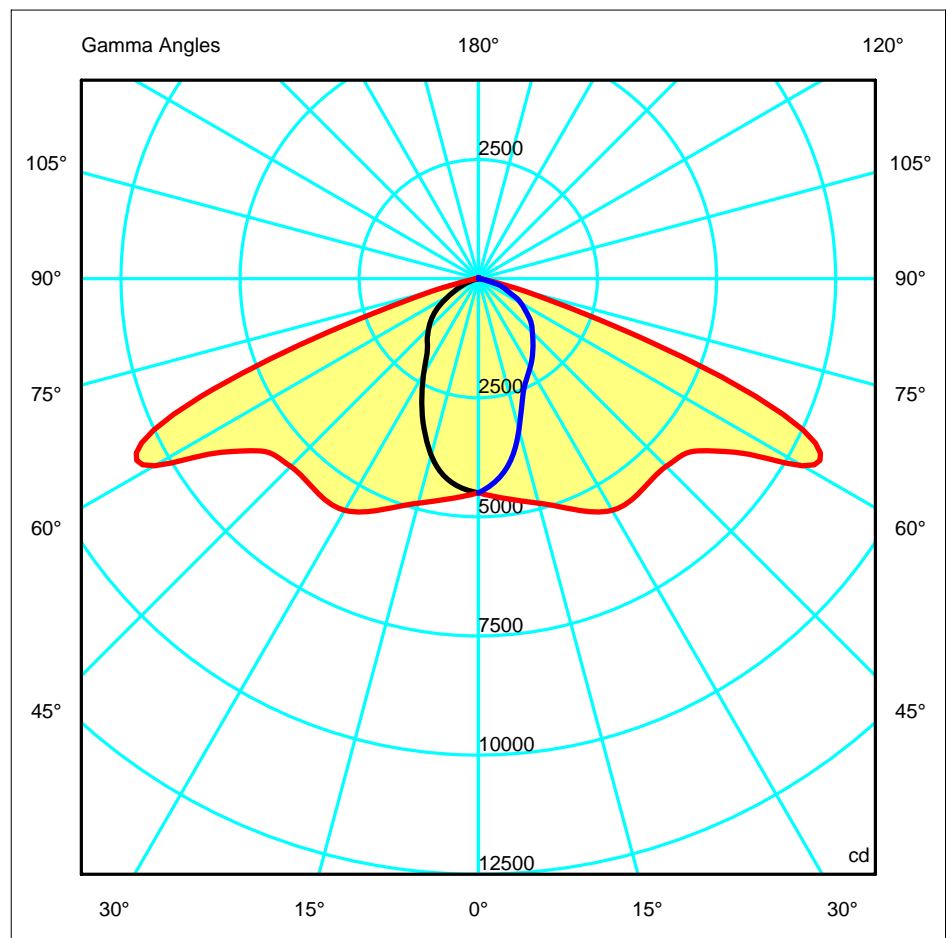
Gear included: Yes, Magnetic
Dimming protocol: bipower with command line

| Luminaire | | Measur. | | Lamp | | |
|----------------------------|---------------------------|-----------------------------|---------------------------|-----------------------|--------------------|--------|
| Code | 80-3073 POSICIO 1 | Code | 80-3073 POSICIO 1 | Code | SON-Tpia plus 150W | |
| Name | ROADWAY 150W NA posició 1 | Name | ROADWAY 150W NA posició 1 | Number | 1 | |
| Line | - LEDS C4 | Date | 29-07-2013 | Position | Universal | |
| Efficiency | 74.34% | Coordinate system | CG Roads | Total Flux | 17500.00 lm | |
| Maximum value | 8105.80 cd | Position | C=0.00 G=62.50 | Sym. on planes 270-90 | | |
| Rectangular Luminaire | Length | 700 mm | Width | 320 mm | Height | 210 mm |
| Rectangular Luminous Area | Length | 320 mm | Width | 230 mm | Height | 25 mm |
| Horizontal Luminous Area | 0.073600 m2 | Emitting area on Plane 180° | | 0.008000 m2 | | |
| Emitting area on Plane 0° | 0.008000 m2 | Emitting area on Plane 270° | | 0.005750 m2 | | |
| Emitting area on Plane 90° | 0.005750 m2 | Glare area at 76° | | 0.025568 m2 | | |
| Symmetry Type | Sym. on planes 270-90 | Maximum Gamma Angle | | 180 | | |
| Measurement Distance | 6.44 | Measurement Flux | | 17245.00 lm | | |
| Operator | Asselum T2 | Source voltage | | 230.00 V | | |
| Temperature | 25.00 °C | Source current | | PRC | | |
| Humidity | 49.00 % | Photocell | | | | |
| Notes | | | | | | |

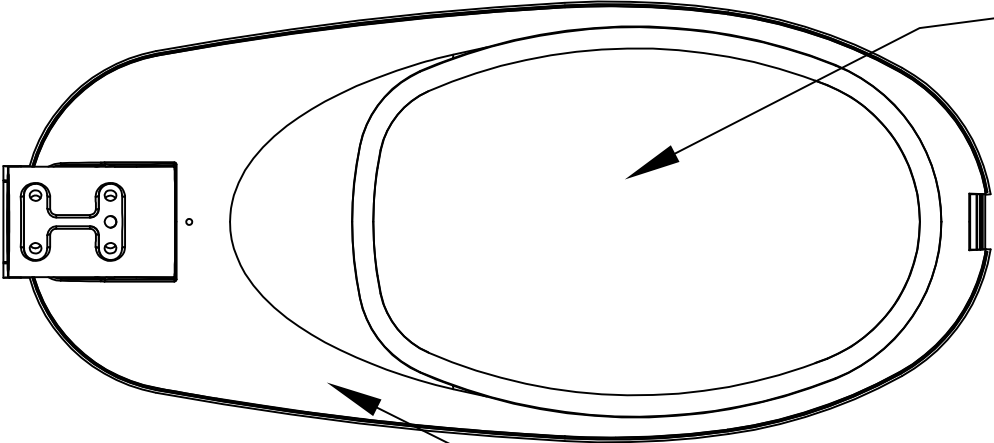
| Luminaire Lamps | | | | | |
|--------------------------------|--------------------|--------------------------------|-----------|----------|------|
| Line | Code | Name | Flux [lm] | Pow. [W] | Q.ty |
| PHILIPS 2005 ILCOS ST,SD,SE,LS | SON-Tpia plus 150W | MASTER SON-T pia plus 150W E40 | 17500.00 | 150.00 | 1 |
| C.I.E. | 45 80 98 99 74 | D DIN 5040 | A31 | | |



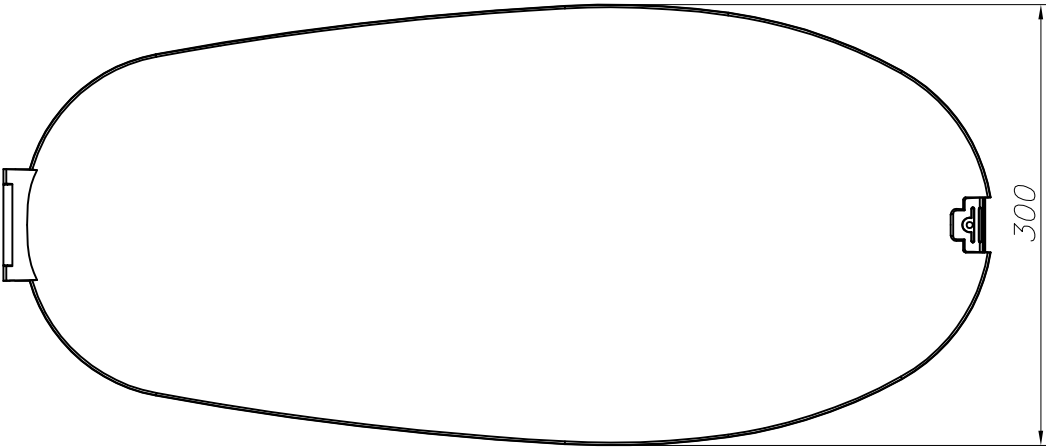
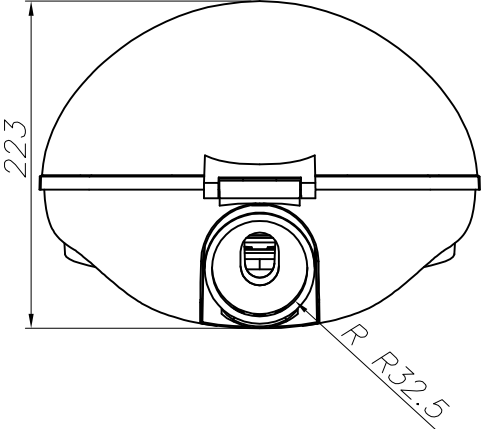
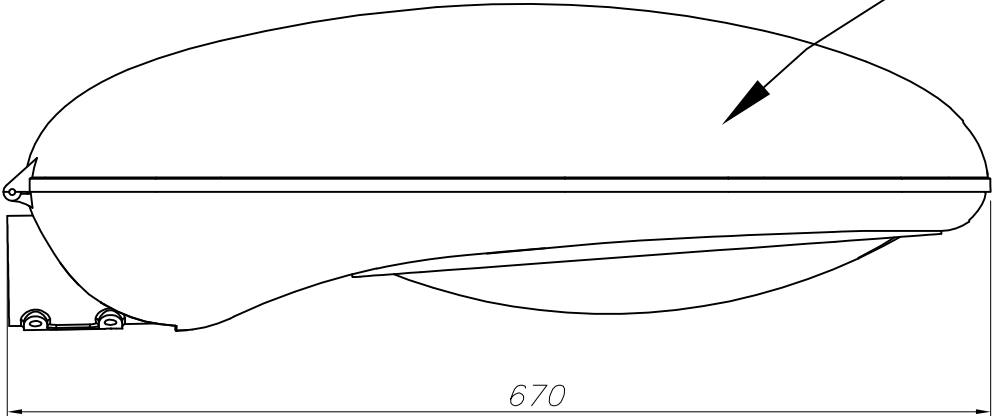
ULOR 0.61 %
DLOR 73.73 %
RN 0.81 %



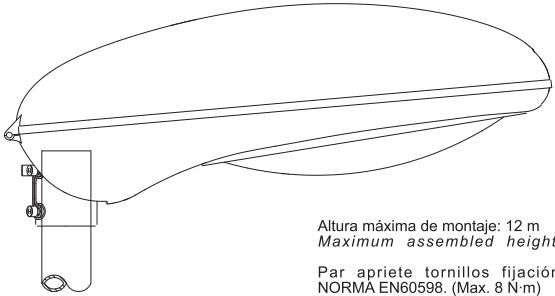
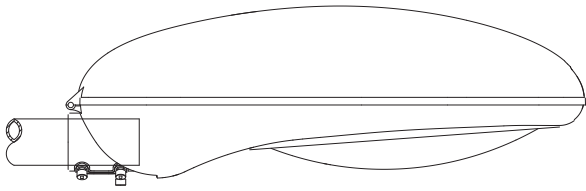
TEMPERED GLASS
/
VIDRE TEMPLAT



INJECTED ALUMINIUM
/
ALUMINI INJECTAT

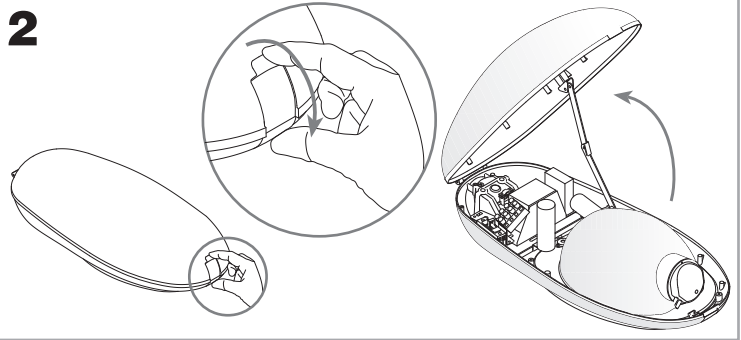


1

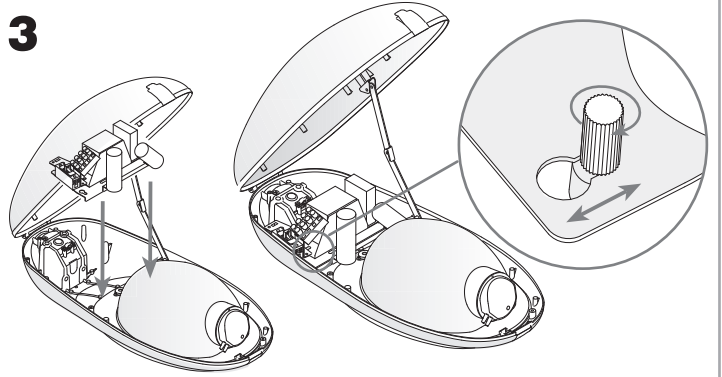


Altura máxima de montaje: 12 m
Maximum assembled height: 12 m
Par apriete tornillos fijación según
NORMA EN60598. (Max. 8 N·m)
Fastening screw tightness torque
according to NORM EN60598. (Max. 8 N·m)

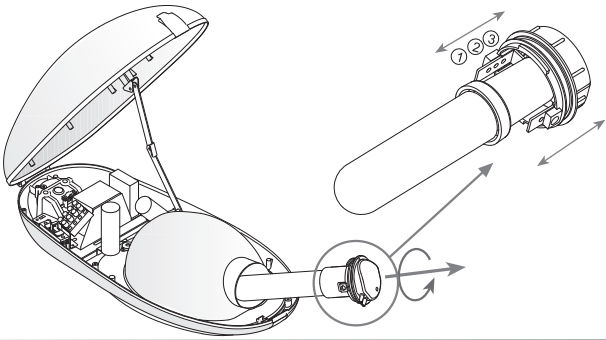
2



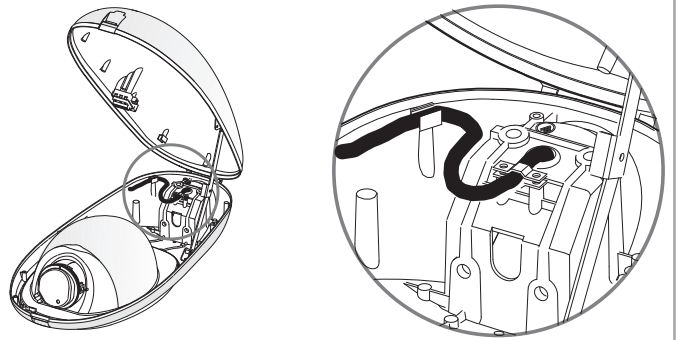
3



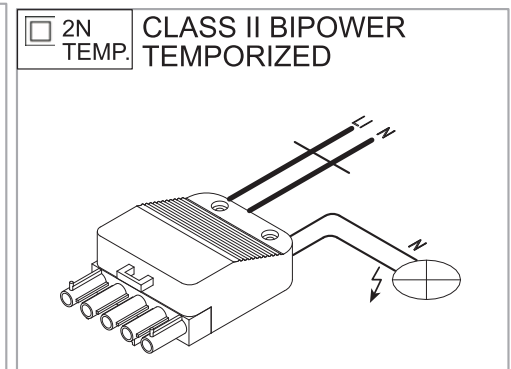
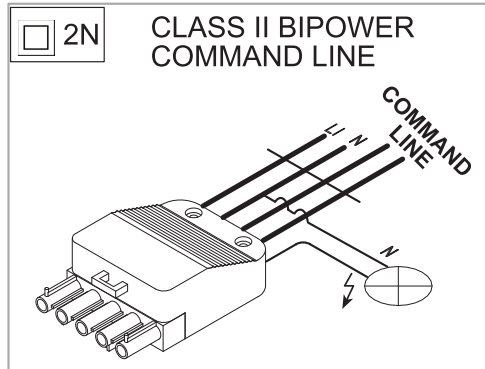
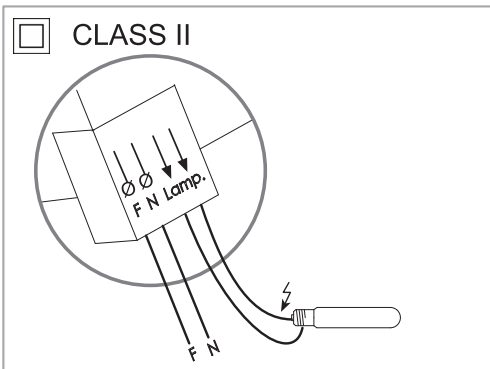
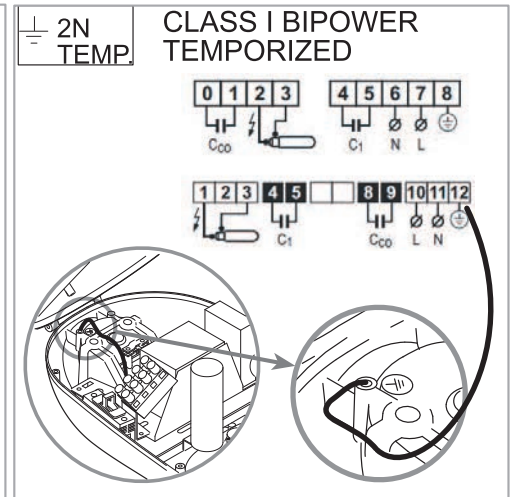
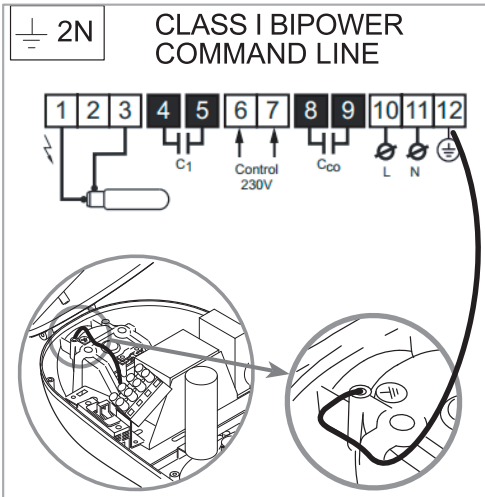
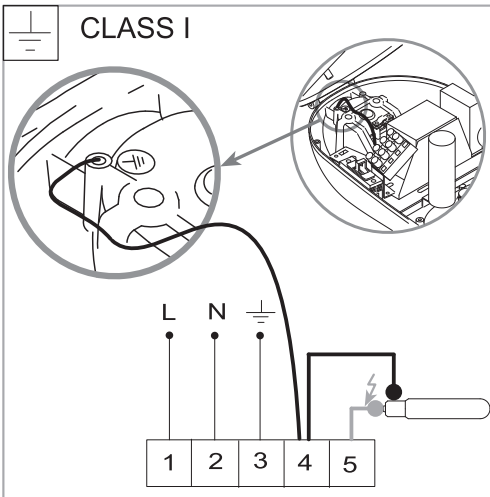
4



5



CONEXIONES ELECTRICAS / ELECTRICALS CONNECTIONS



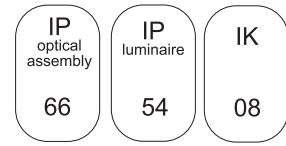
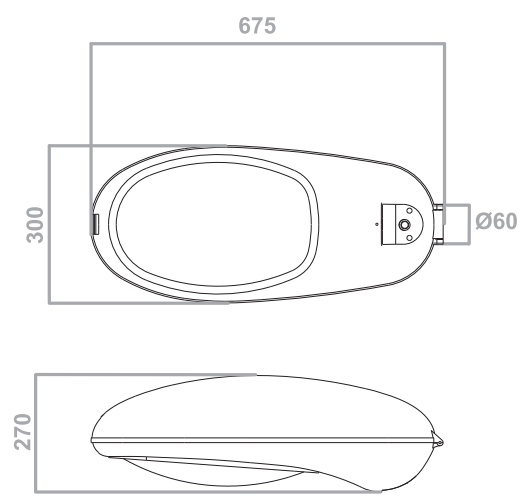


| E-27 | | |
|------|----------|---------------|
| 70W | HPS - MH | 80-3071-AT-37 |
| 70W | HPS | 80-3074-AT-37 |
| 70W | HPS | 80-3083-AT-37 |
| 70W | HPS - MH | 80-3087-AT-37 |
| 70W | HPS | 80-3091-AT-37 |
| 70W | HPS | 80-3095-AT-37 |

| G-12 | | |
|------|----|---------------|
| 70W | MH | 80-4838-AT-37 |
| 70W | MH | 80-4839-AT-37 |
| 100W | MH | 80-4840-AT-37 |
| 100W | MH | 80-4841-AT-37 |
| 150W | MH | 80-4842-AT-37 |
| 150W | MH | 80-4843-AT-37 |

| E-40 | | |
|--------------|----------|---------------|
| WITHOUT GEAR | | |
| 100W | HPS - MH | 80-4771-AT-37 |
| 100W | HPS | 80-3072-AT-37 |
| 100W | HPS | 80-3075-AT-37 |
| 100W | HPS | 80-3084-AT-37 |
| 100W | HPS - MH | 80-3088-AT-37 |
| 100W | HPS | 80-3092-AT-37 |
| 100W | HPS | 80-3096-AT-37 |
| 150W | HPS - MH | 80-3073-AT-37 |
| 150W | HPS | 80-3076-AT-37 |
| 150W | HPS | 80-3085-AT-37 |
| 150W | HPS - MH | 80-3089-AT-37 |
| 150W | HPS | 80-3093-AT-37 |
| 150W | HPS | 80-3097-AT-37 |
| 250W | HPS - MH | 80-3081-AT-37 |
| 250W | HPS | 80-3082-AT-37 |
| 250W | HPS | 80-3086-AT-37 |
| 250W | HPS - MH | 80-3090-AT-37 |
| 250W | HPS | 80-3094-AT-37 |
| 250W | HPS | 80-3098-AT-37 |
| 400W | HPS - MH | 80-2674-AT-37 |
| 400W | HPS | 80-3252-AT-37 |
| 400W | HPS | 80-3253-AT-37 |

| PGZ-12 | | |
|--------|------------|---------------|
| 45W | COSMOWHITE | 80-4598-AT-37 |
| 60W | COSMOWHITE | 80-4599-AT-37 |
| 90W | COSMOWHITE | 80-4600-AT-37 |
| 140W | COSMOWHITE | 80-4601-AT-37 |



CE

- Todos los productos están fabricados siguiendo las normas de seguridad y electromagnetismo de Europa: EN 60598-1:2004, EN 60598-2-3:2003, EN 55015:2006, EN 61000-3-2:2006, EN61000-3-3:1995, EN 61547 y marcado CE.

- All products are manufactured according to the European safety norms and electromagnetic standards: EN 60598-1:2004, EN 60598-2-3:2003, EN 55015:2006, EN 61000-3-2:2006, EN61000-3-3:1995, EN 61547 and CE mark.

Luminaria en que la protección contra los choques eléctricos no recae exclusivamente sobre el aislamiento principal, sino que comporta una medida de seguridad suplementaria bajo la forma de medios de conexión de las partes conductoras accesibles, a un conductor de protección puesto a tierra, formando parte del cableado fijo de la instalación, de tal manera que las partes conductoras accesibles no puedan llegar a ser peligrosas en caso de defecto del aislamiento principal. / Luminaire in which protection against electric shock does not rely on basic insulation only, but which includes an additional safety precaution in such a way that means are provided for the connection of accessible conductive parts to the protective (earthing) conductor in the fixed wiring of the installation in such a way that accessible conductive parts can not become live in the event of a failure of the basic insulation.

Luminaria en que la protección contra los choques eléctricos no recae exclusivamente sobre el aislamiento principal, sino que comprende medidas de seguridad suplementarias, tales como el doble aislamiento o el aislamiento reforzado. Estas medidas no comprenden medios de puesta a tierra de protección y no dependen de las condiciones de instalación. / Luminaire in which protection against electric shock does not rely on basic insulation only, but in which additional safety precautions such as double insulation or reinforced insulation are provided, there being no provision for protective earthing or reliance upon installation conditions.

Distancia mínima de los objetos iluminados (metros). / Minimum distance from lighted objects (meters).

Sustituir cualquier pantalla de protección con fisuras. / Replace any cracked protective shield.

Luminarias previstas para el montaje directo sobre superficies normalmente inflamables. / Luminaires suitable for direct mounting on normally flammable surfaces.

Luminarias para lámparas de vapor de sodio a alta presión que exigen un arrancador exterior (a la lámpara). / Luminaires for use with high pressure sodium lamps that require an external ignitor (to the lamp).

IP Sistema de codificación para indicar los grados de protección proporcionados por la envolvente contra el acceso a las partes peligrosas, contra la penetración de agua y contra la penetración de cuerpos sólidos extraños. / Coding system to indicate the degree of protection provided by the enclosure against access to hazardous parts, against the penetration of water and the penetration of solid foreign bodies.

INSTALACION Y MANTENIMIENTO / INSTALLATION AND MAINTENANCE

- Luminaria solo apta para uso exterior. / Luminaire suitable for external use only.
- El cable manguera para la conexión a red en el interior de la luminaria no debe tocar ni la reactancia ni el reflector. / The electrical wire for the connection inside the luminaire should not touch or the ballast or reflector.
- Para mantener el rendimiento optimo de la luminaria, se requiere la limpieza periódica del vidrio, su frecuencia dependerá de las condiciones ambientales de la instalación. / To maintain optimum performance of the luminaire will require periodic cleaning of the glass, its frequency will depend on the environmental conditions of the installation.
- Se debe desconectar la luminaria del suministro eléctrico antes de proceder al cambio de la lámpara, manipular o realizar cualquier tipo de mantenimiento. Existen altas tensiones dentro de la misma y todas las precauciones tomadas usualmente en la manipulación de equipos de alta tensión deben ser adoptadas igualmente en las operaciones de cambio de lámpara o cualquier otra manipulación. / The luminaire must be disconnected from the power supply before proceeding to change the lamp, manipulate or perform any maintenance. There are high voltages inside the same and usually taken every precaution in handling high voltage equipment must be taken also in the exchange of light or any other manipulation.