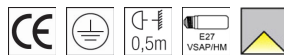
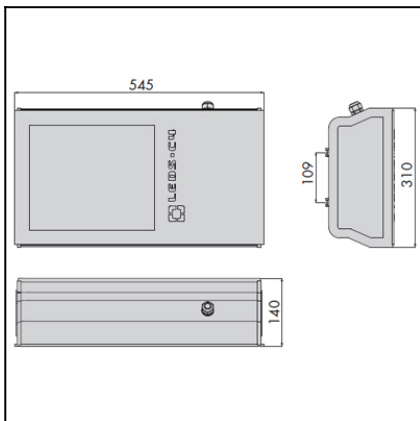




The photograph may not match the reference exactly. Please read the product description to identify the finish.

### TECHNICAL CHARACTERISTICS

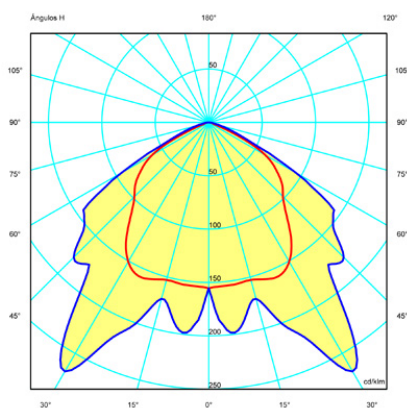
Type:	Streetlight head
IP Protection degrees:	IP65
IK Protection degrees:	IK08
Lampholder:	1 x E27
Power (W):	E27 HS 70W (VSAP)
Total power consumption (W):	92.3
Voltage / Frequency:	230V/50Hz
Warranty (Years):	2
Units per box:	1
Net Weight (Kg):	10.065
EAN:	8435111078464



### MATERIALS / FINISHES

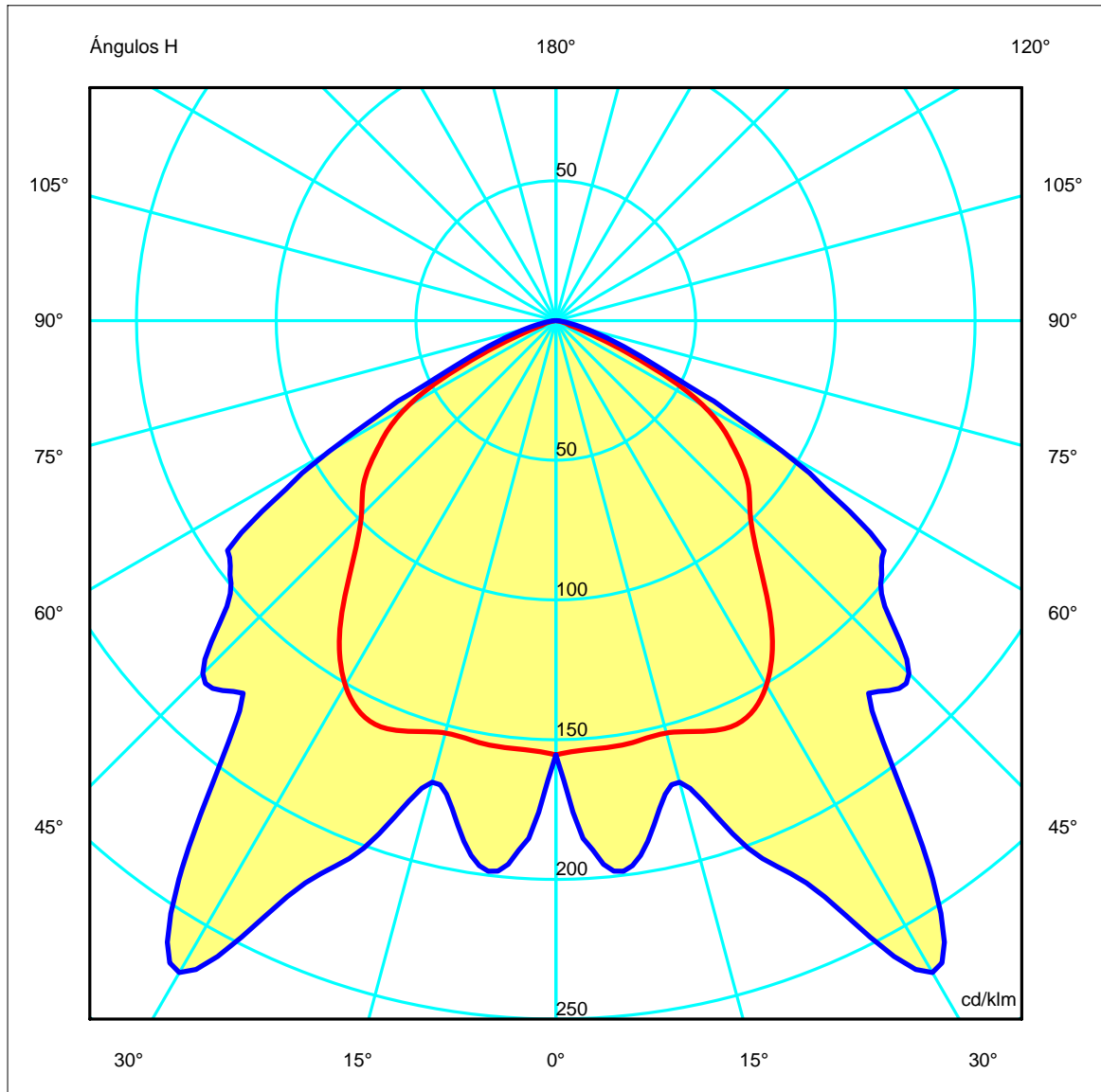
**Structure material:** Anodized aluminium  
**Structure finish:** Grey

**Diffuser material:** Tempered glass  
**Diffuser finish:** Transparent

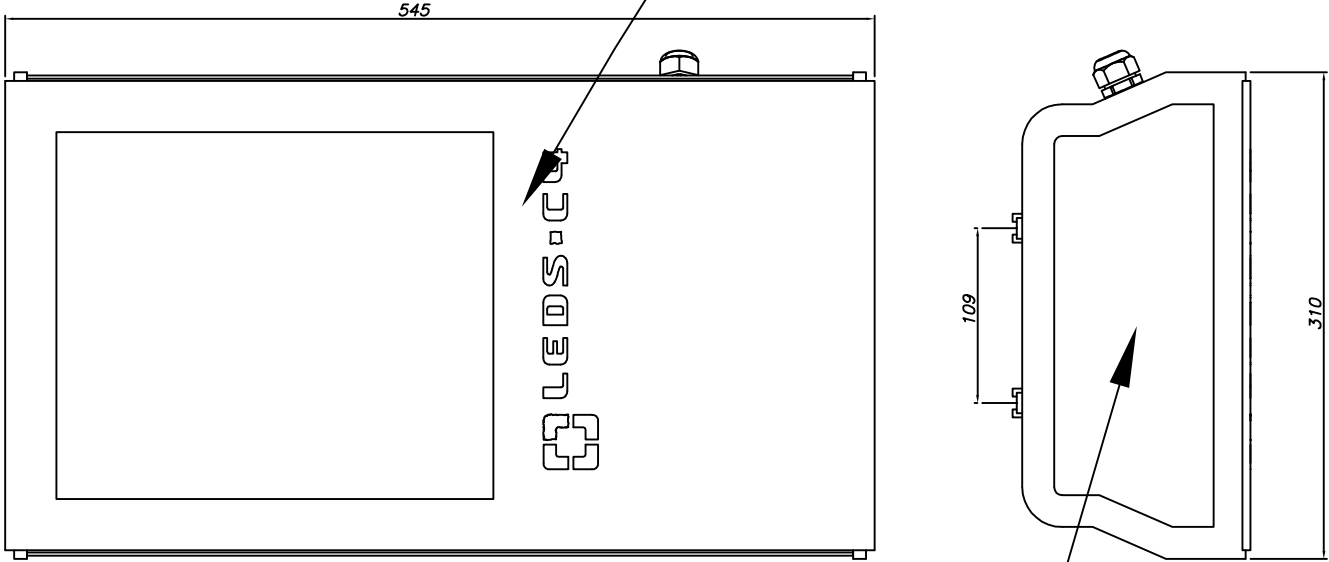


[Download photometric file .ldt / .ies](#)

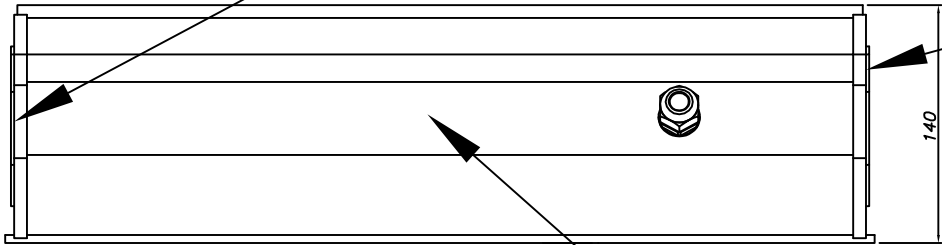
<b>Luminaria</b>		<b>Ensayo</b>		<b>Lámpara</b>	
Código	80-3156	Código	80-3150	Código	SON-Tpia plus 70W
Nombre	Proyector UMA 70W SON-T 2 N	Nombre	Proyector UMA 70W SON-T	Número	1
Familia	- LEDS C4	Fecha	10-12-2009	Posición	Universal
Eficiencia	59.12%	Sist. de Coorden.	V-H	Flujo Total	6600.00 lm
Valor Máximo	278.51 cd/klm	Posición	H=31.00 V=17.50	Bisimétrico	



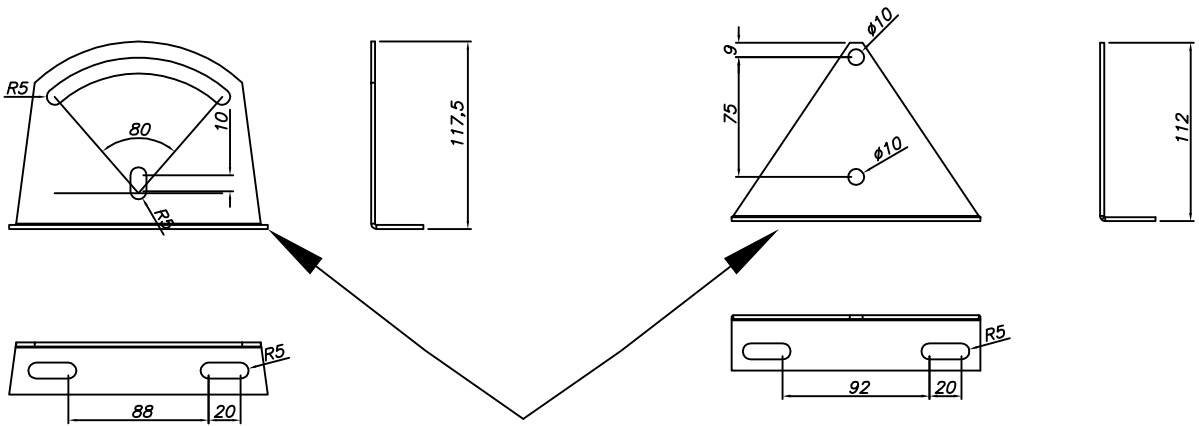
TEMPERED GLASS / VIDRE TEMPLAT



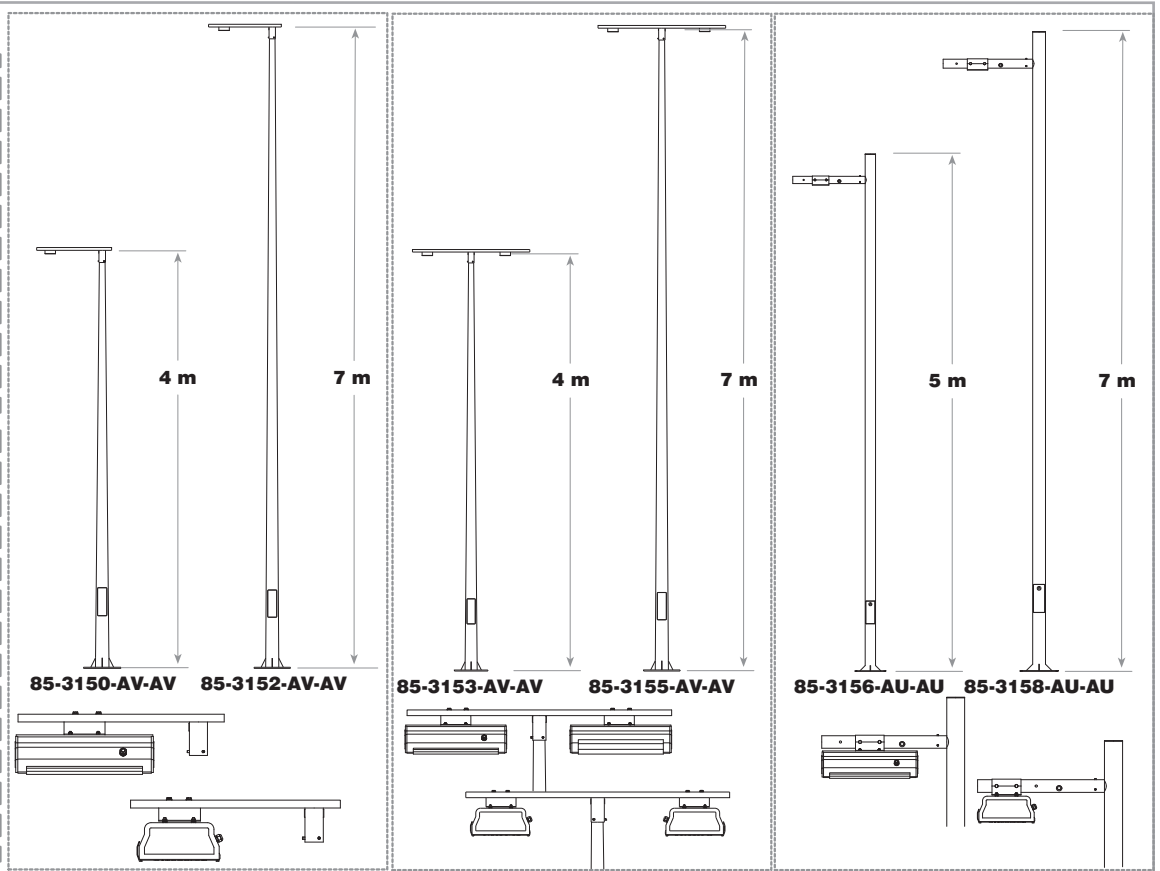
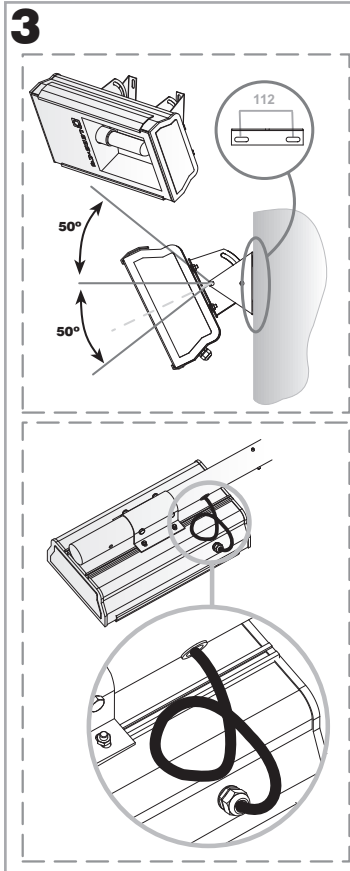
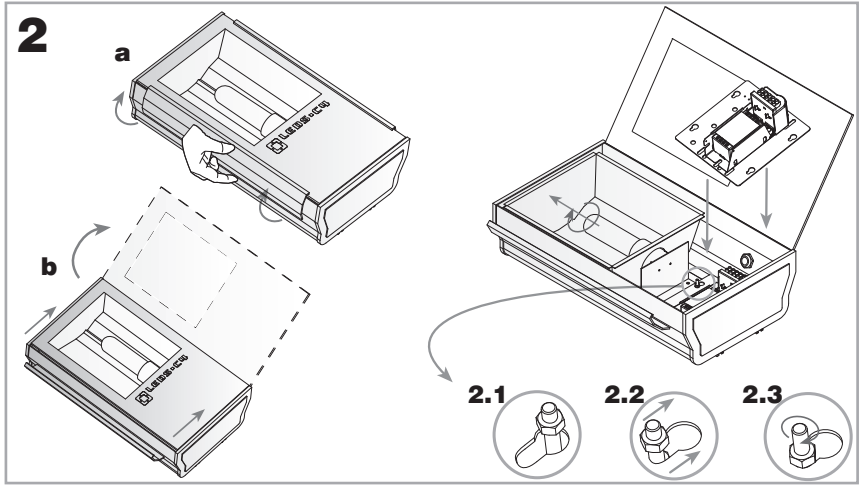
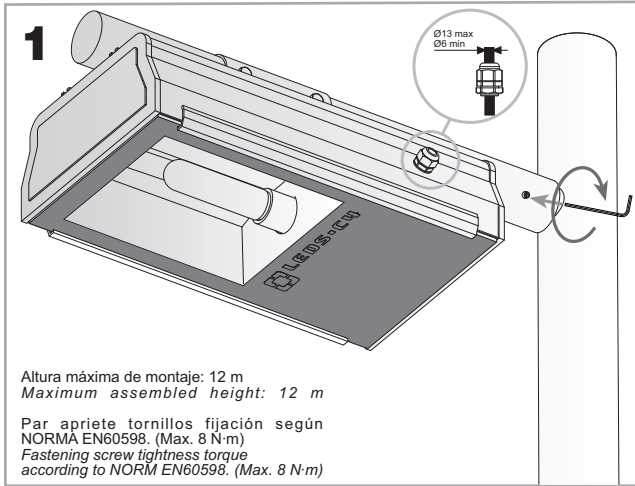
INJECTED ALUMINIUM / ALUMINI INJECTAT



EXTRUDED ANODIZED ALUMINIUM / ALUMINI ANODITZAT EXTRUIT



GALVANIZED AND PAINTED STEEL / ACER GALVANITZAT I PINTAT



## CONEXIONES ELECTRICAS / ELECTRICAL CONNECTIONS

