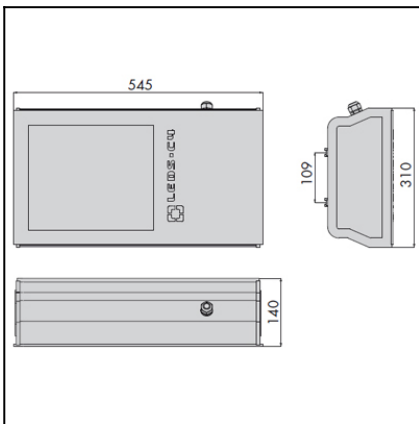


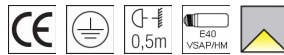


The photograph may not match the reference exactly. Please read the product description to identify the finish.



TECHNICAL CHARACTERISTICS

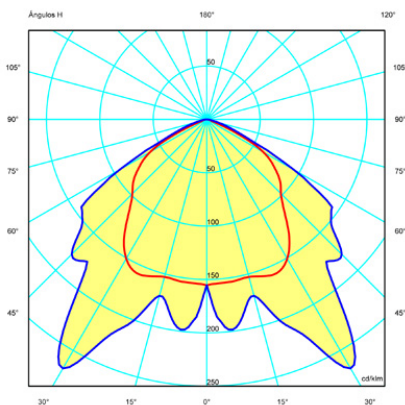
Type:	Streetlight head
IP Protection degrees:	IP65
IK Protection degrees:	IK08
Lampholder:	1 x E40
Power (W):	E40 HS 250W (VSAP)
Voltage / Frequency:	230V/50Hz
Warranty (Years):	2
Units per box:	1
Net Weight (Kg):	11.915
EAN:	8435111078495



MATERIALS / FINISHES

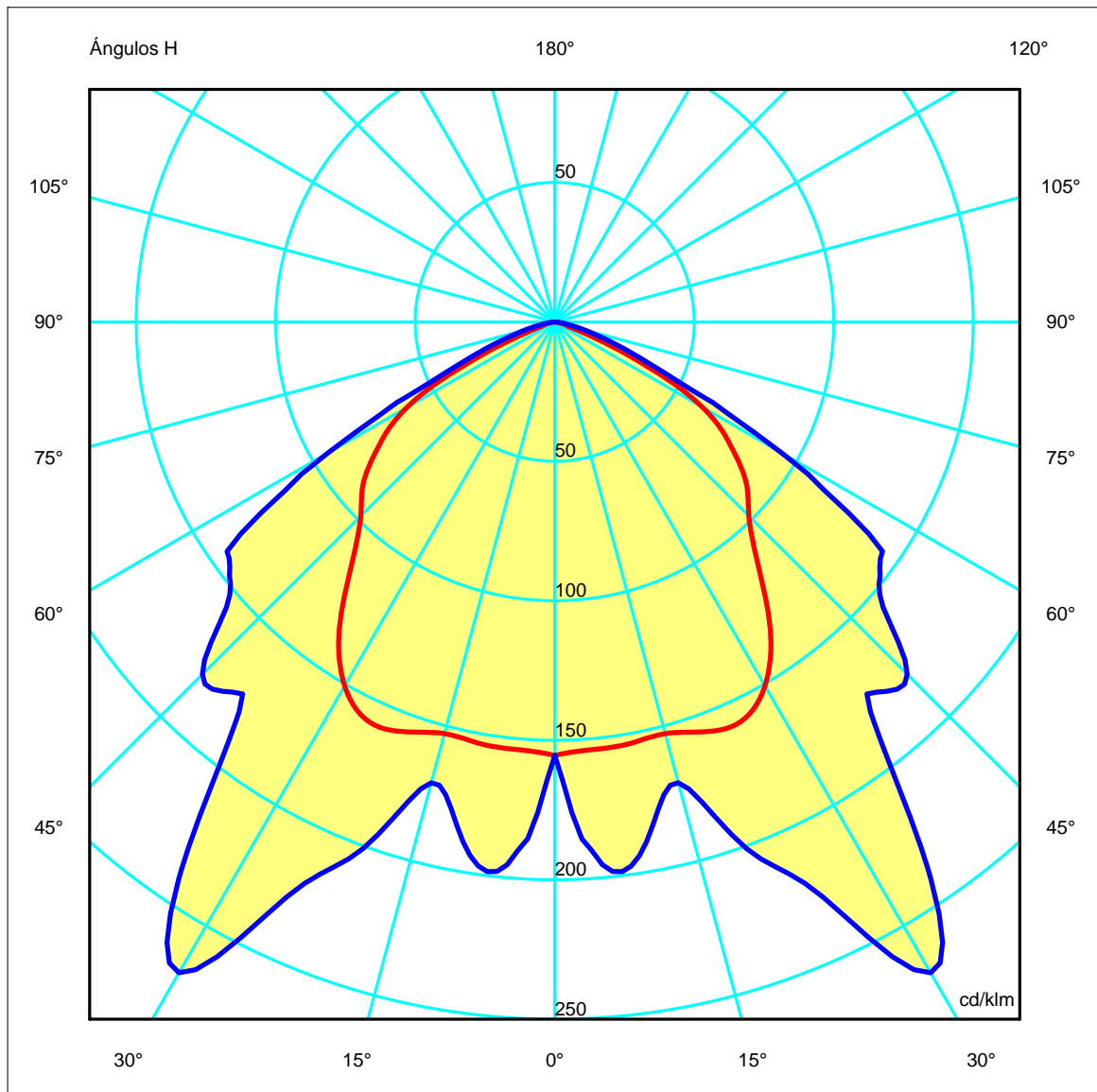
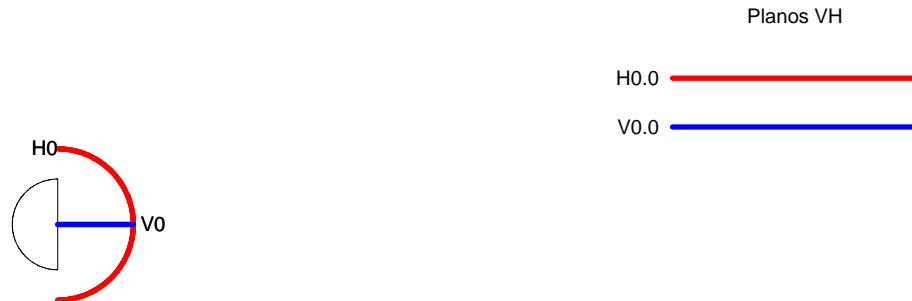
Structure material: Anodized aluminium
Structure finish: Grey

Diffuser material: Tempered glass
Diffuser finish: Transparent

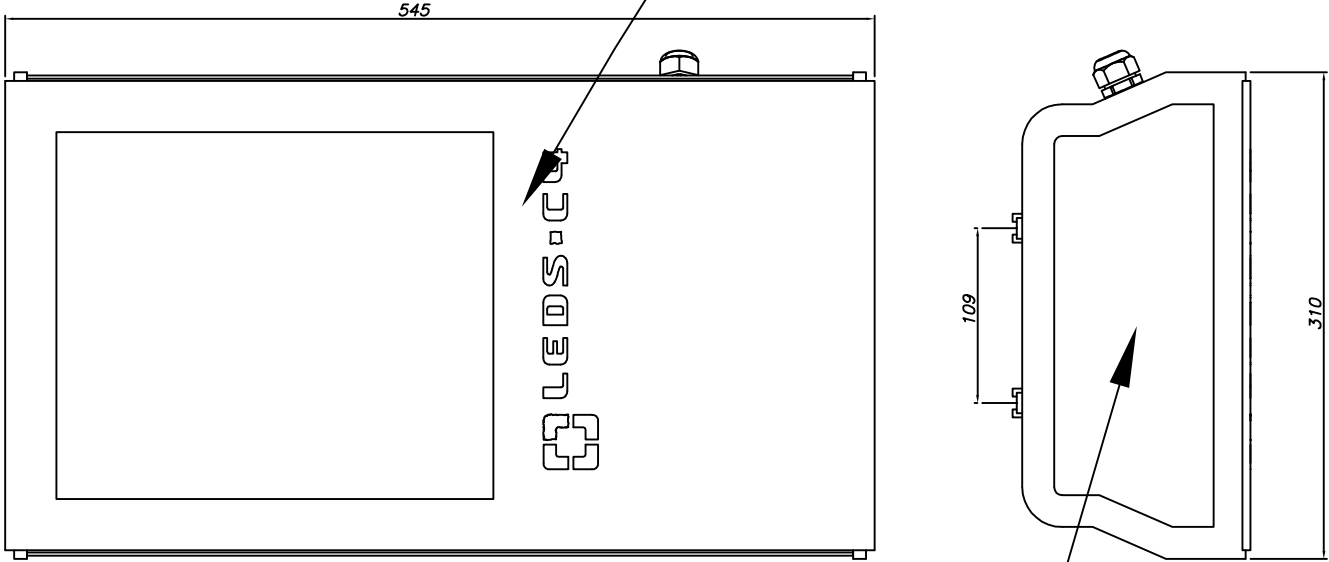


[Download photometric file .ldt / .ies](#)

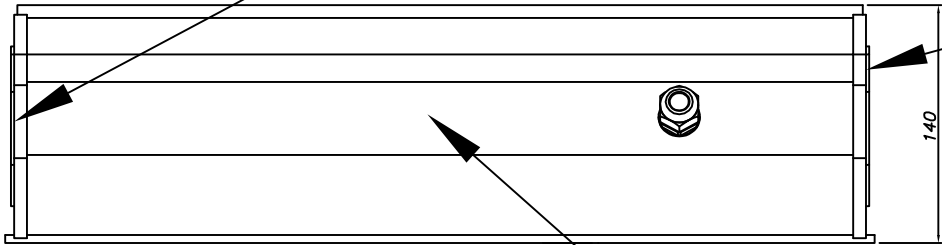
Luminaria		Ensayo		Lámpara	
Código	80-3160	Código	80-3155	Código	SON-Tpia plus 250W
Nombre	Proyector UMA 250W SON-T 2 N	Nombre	Proyector UMA 250W SON-T	Número	1
Familia	- LEDS C4	Fecha	10-12-2009	Posición	Universal
Eficiencia	59.12%	Sist. de Coorden.	V-H	Flujo Total	33200.00 lm
Valor Máximo	278.51 cd/klm	Posición	H=31.00 V=17.50	Bisimétrico	



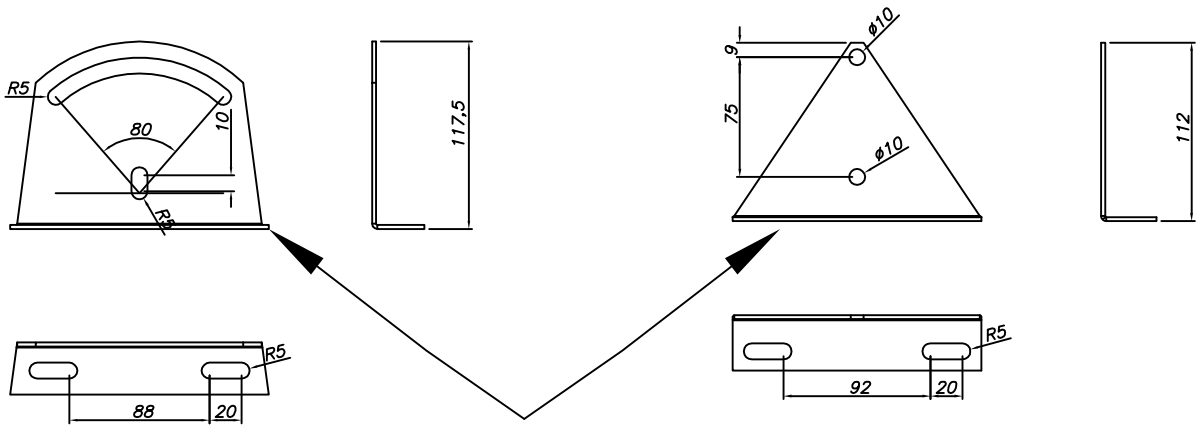
TEMPERED GLASS / VIDRE TEMPLAT



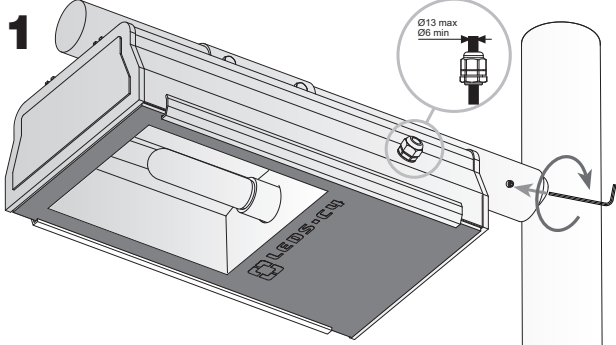
INJECTED ALUMINIUM / ALUMINI INJECTAT



EXTRUDED ANODIZED ALUMINIUM / ALUMINI ANODITZAT EXTRUIT

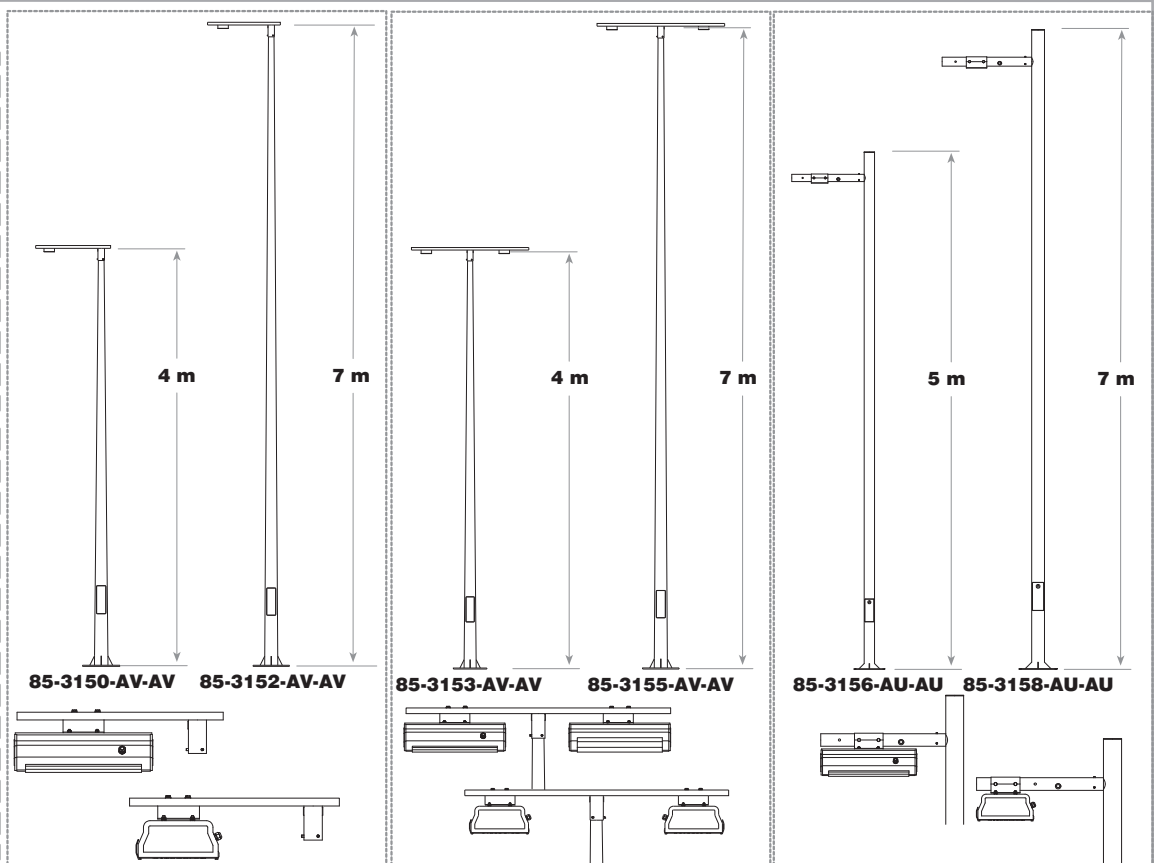
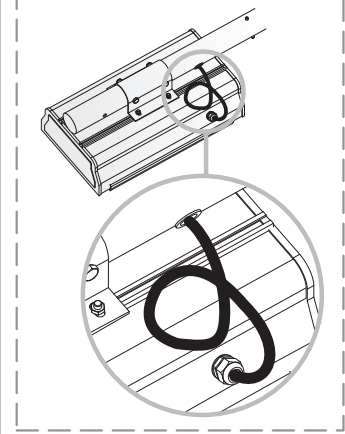
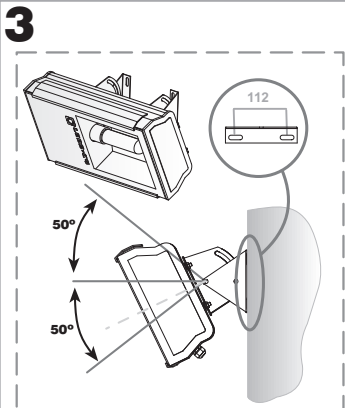
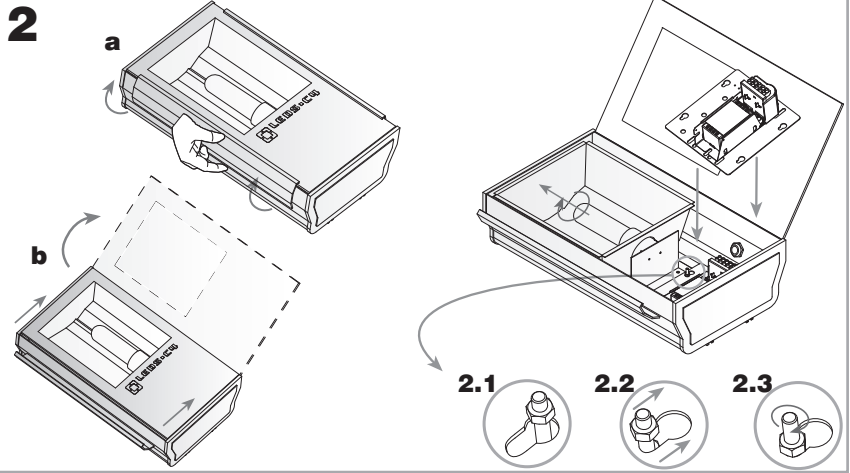


GALVANIZED AND PAINTED STEEL / ACER GALVANITZAT I PINTAT



Altura máxima de montaje: 12 m
Maximum assembled height: 12 m

Par apriete tornillos fijación según
NORMA EN60598. (Max. 8 N·m)
Fastening screw tightness torque
according to NORM EN60598. (Max. 8 N·m)



CONEXIONES ELECTRICAS / ELECTRICAL CONNECTIONS

