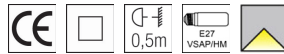
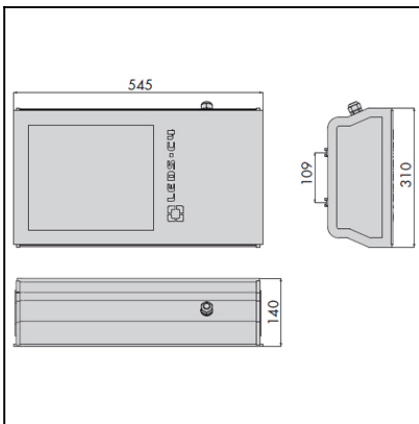




The photograph may not match the reference exactly. Please read the product description to identify the finish.

TECHNICAL CHARACTERISTICS

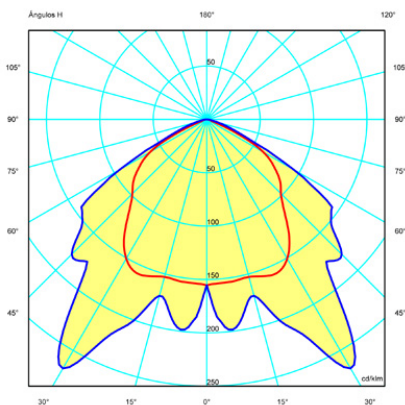
Type:	Streetlight head
IP Protection degrees:	IP65
IK Protection degrees:	IK08
Lampholder:	1 x E27
Power (W):	E27 HI/HS 70W (VSAP/HM)
Total power consumption (W):	92.3
Voltage / Frequency:	230V/50Hz
Warranty (Years):	2
Units per box:	1
Net Weight (Kg):	9.655
EAN:	8435111078549



MATERIALS / FINISHES

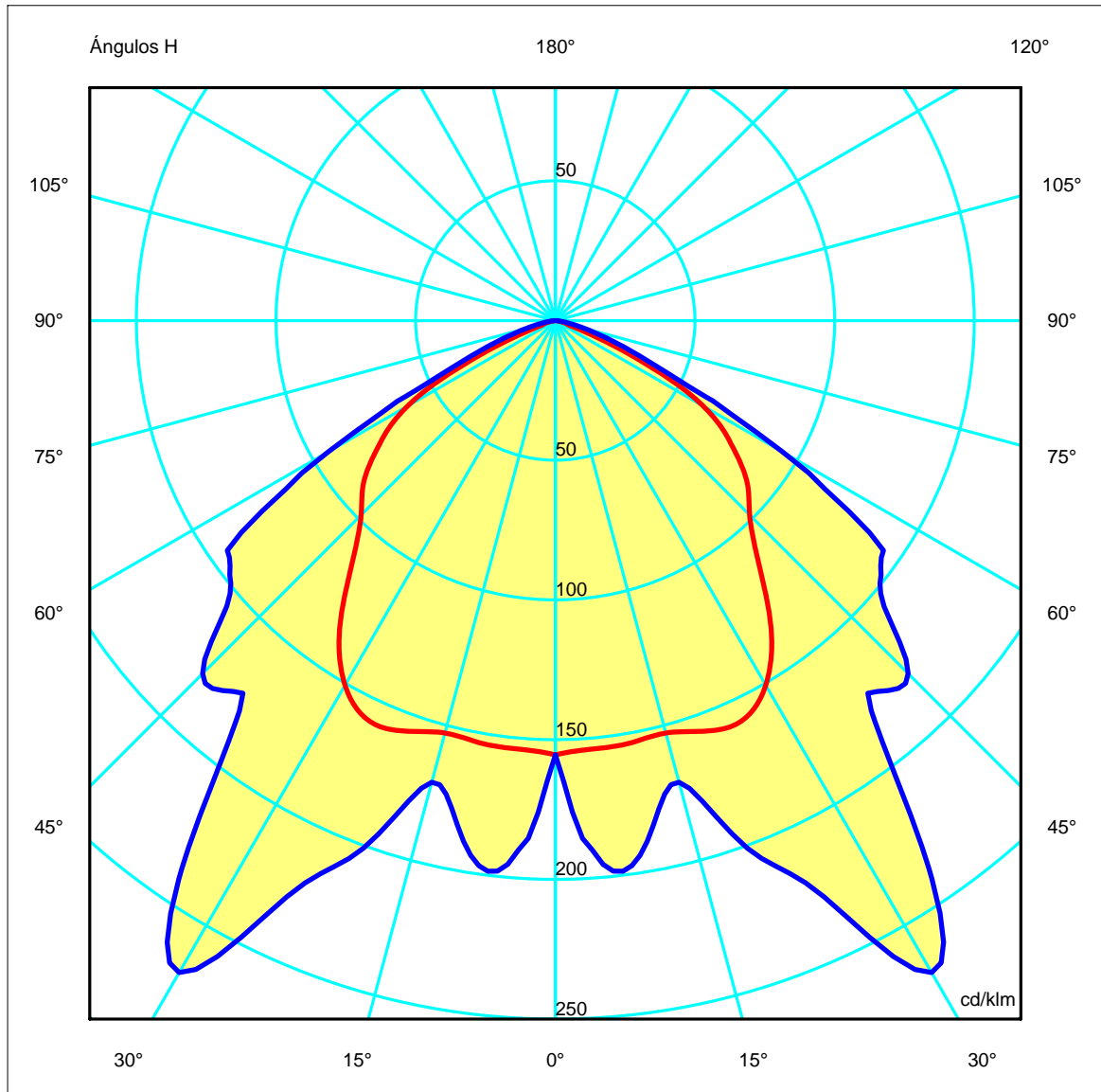
Structure material: Anodized aluminium
Structure finish: Grey

Diffuser material: Tempered glass
Diffuser finish: Transparent

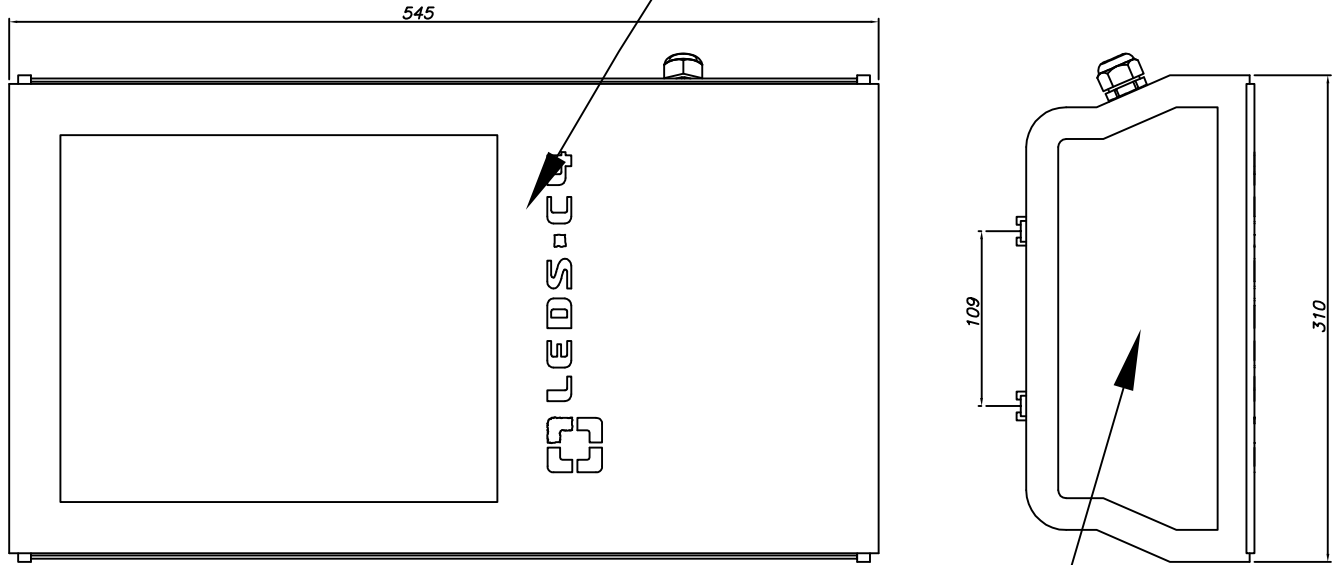


[Download photometric file .ldt / .ies](#)

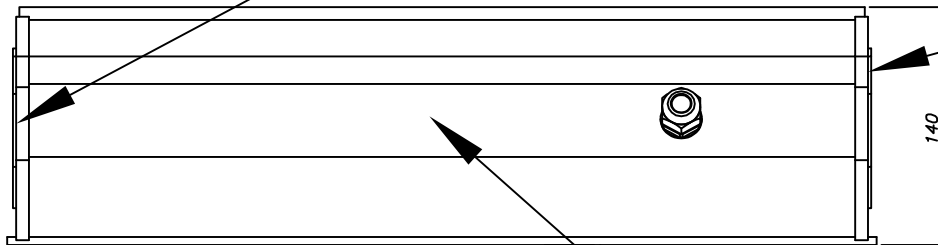
Luminaria		Ensayo		Lámpara	
Código	80-3165	Código	80-3150	Código	SON-Tpia plus 70W
Nombre	Proyector UMA 70W SON-T CII	Nombre	Proyector UMA 70W SON-T	Número	1
Familia	- LEDS C4	Fecha	10-12-2009	Posición	Universal
Eficiencia	59.12%	Sist. de Coorden.	V-H	Flujo Total	6600.00 lm
Valor Máximo	278.51 cd/klm	Posición	H=31.00 V=17.50		Bisimétrico



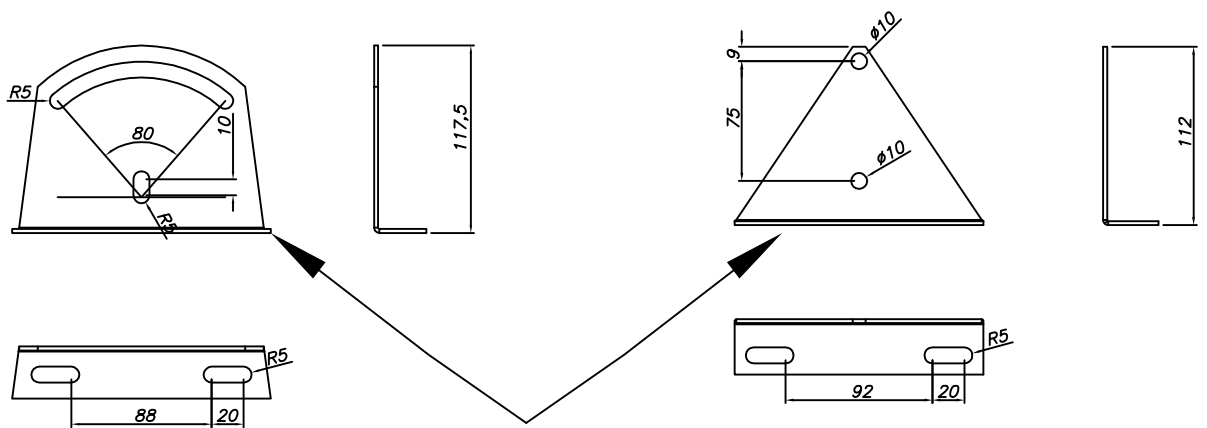
TEMPERED GLASS / VIDRE TEMPLAT



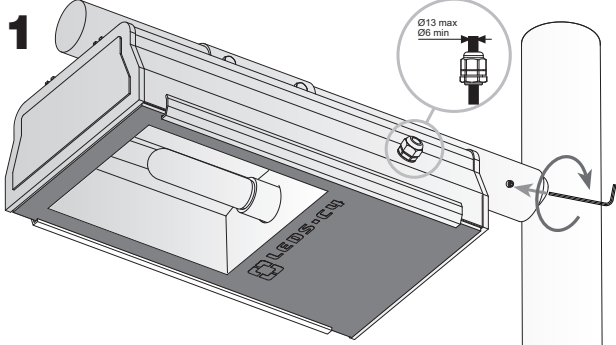
INJECTED ALUMINIUM
ALUMINI INJECTAT



EXTRUDED ANODIZED ALUMINIUM
ALUMINI ANODITZAT EXTRUIT

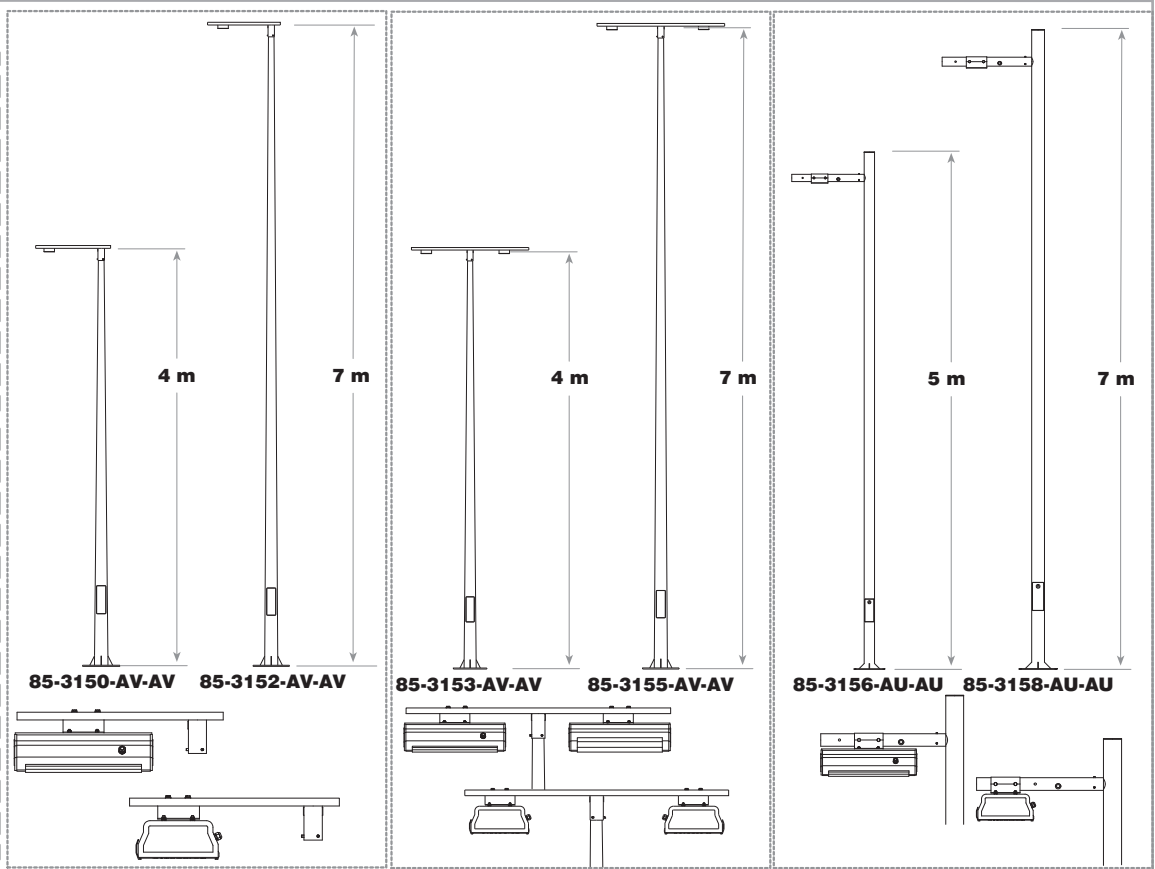
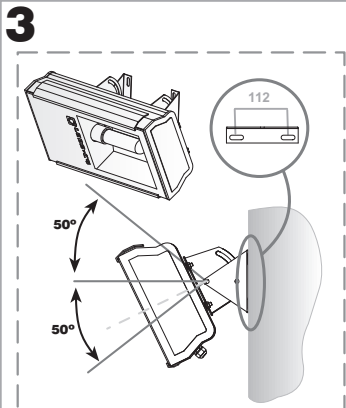
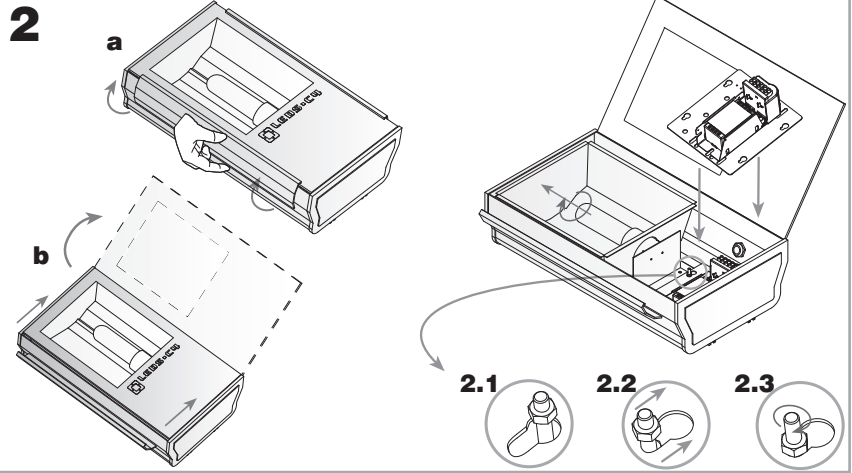


GALVANIZED AND PAINTED STEEL
ACER GALVANITZAT I PINTAT



Altura máxima de montaje: 12 m
Maximum assembled height: 12 m

Par apriete tornillos fijación según
NORMA EN60598. (Max. 8 N·m)
Fastening screw tightness torque
according to NORM EN60598. (Max. 8 N·m)



CONEXIONES ELECTRICAS / ELECTRICAL CONNECTIONS

