

COLUMN BOHEMIA

81-3123-BP-BP



The photograph may not match the reference exactly. Please read the product description to identify the finish.

[Download photometric file .ldt /.ies](#)

DESCRIPTION

Designer luminaire for urban lighting. Comes with a high grade aluminium reflector and flat toughened glass closure. Luminaire installation in TOP position. Fitting for Ø60mm. IP 66 for the optical group. Light casing designed for power ratings from 35W to 150W, using lamp-holders E27, E40, G12 and PGZ12, according to the type of lamp. Magnetic equipment incorporated: Vossloh, ELT. Electronic equipment incorporated: Philips.

TECHNICAL CHARACTERISTICS

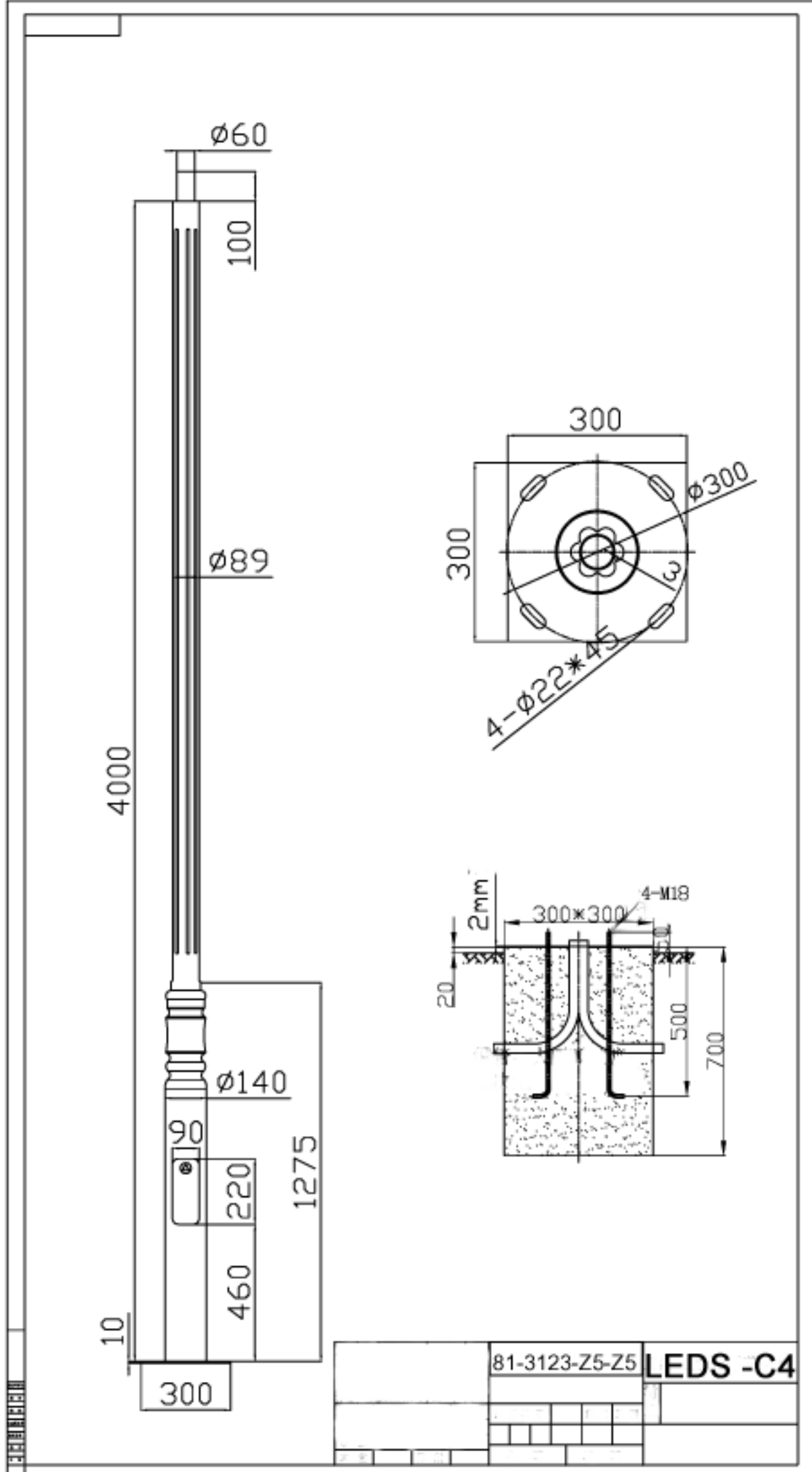
Type:	Column
IK Protection degrees:	IK10
Warranty (Years):	2
Units per box:	1
Net Weight (Kg):	32
EAN:	8435111079003,00



MATERIALS / FINISHES

Structure material: S-235-JR steel

Structure finish: Baked-on black forge



81-3123-Z5-Z5

LEDS -C4

CODE	H (mm)	Ø (mm)	HARD K=15		NORMAL K=10		SOFT K=5		BOLTS SIZES	BASES SIZES
			a (cm)	h (cm)	a (cm)	h (cm)	a (cm)	h (cm)		
81-3123	4000	60	45	60	50	65	55	77	M18x500 mm	1
81-3128	5000	100	45	65	50	65	55	77	M18x500 mm	1
81-3132	7000	120	45	75	55	75	60	85	M22x600 mm	2
81-3133	7000	120	45	75	45	75	60	85	M22x600 mm	2
81-3137	3000	100	45	60	50	60	55	77	M18x500 mm	1
81-3140	5000	100	45	65	50	65	55	77	M18x500 mm	1
81-3145	4000	60	45	60	50	65	55	77	M18x500 mm	1
81-3148	3000	220	45	60	50	60	55	77	M18x500 mm	3
81-3149	7000	60	45	70	55	70	60	85	M22x600 mm	2
81-3151	4000	60	45	60	50	65	55	77	M18x500 mm	1

