

COLUMN PROMENADE 5M

81-3140-AU-AU

OUT 



The photograph may not match the reference exactly. Please read the product description to identify the finish.

Download photometric file .ldt /.ies

TECHNICAL CHARACTERISTICS

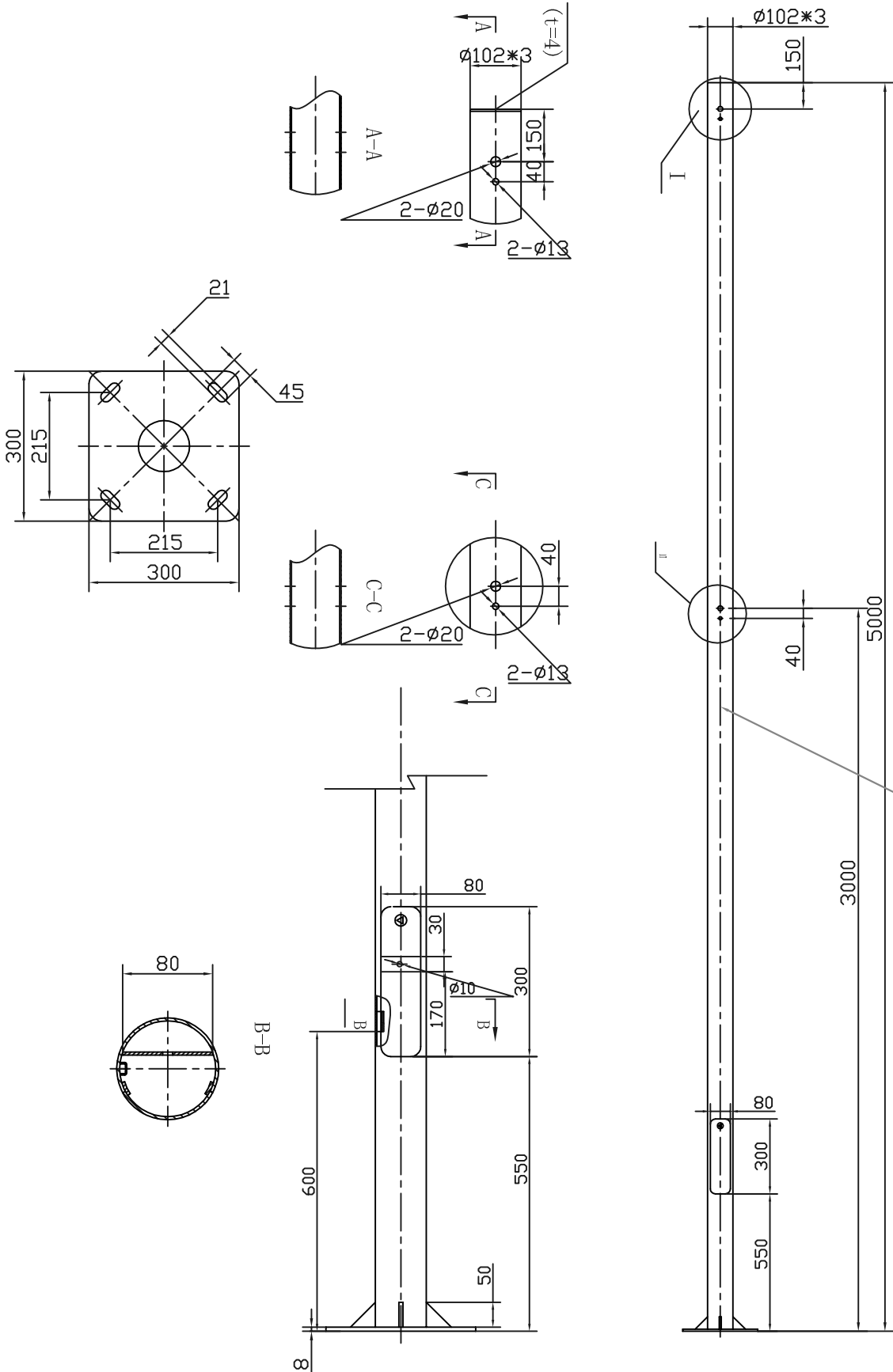
Type:	Column
IK Protection degrees:	IK10
Warranty (Years):	2
Units per box:	1
Net Weight (Kg):	51.02
EAN:	8435111066621,00



MATERIALS / FINISHES

Structure material: S-235-JR hot-dipped galvanized steel

Structure finish: Baked-on grey paint



ACER AL CARBONI
S-235-JR,
GALVANIZAT PER
IMMERSIÓ EN
CALENT I PINTAT
EN COLOR GRIS
ALUMINI ACABAT AL
FORN.

HOT-DIPPED
GALVANISED
CARBON STEEL
S-235-JR IN
ALUMINIUM GREY,
BAKED FINISH.

CODE	H (mm)	Ø (mm)	HARD K=15		NORMAL K=10		SOFT K=5		BOLTS SIZES	BASES SIZES
			a (cm)	h (cm)	a (cm)	h (cm)	a (cm)	h (cm)		
81-3123	4000	60	45	60	50	65	55	77	M18x500 mm	1
81-3128	5000	100	45	65	50	65	55	77	M18x500 mm	1
81-3132	7000	120	45	75	55	75	60	85	M22x600 mm	2
81-3133	7000	120	45	75	45	75	60	85	M22x600 mm	2
81-3137	3000	100	45	60	50	60	55	77	M18x500 mm	1
81-3140	5000	100	45	65	50	65	55	77	M18x500 mm	1
81-3145	4000	60	45	60	50	65	55	77	M18x500 mm	1
81-3148	3000	220	45	60	50	60	55	77	M18x500 mm	3
81-3149	7000	60	45	70	55	70	60	85	M22x600 mm	2
81-3151	4000	60	45	60	50	65	55	77	M18x500 mm	1

