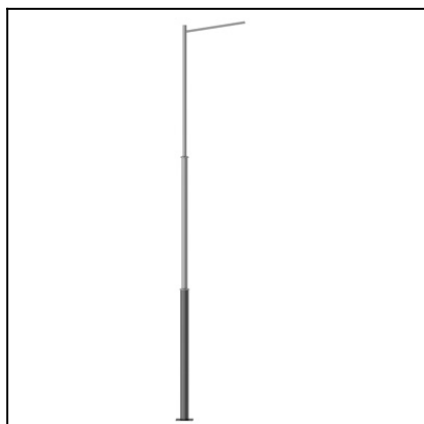


COLUMNA SQUADRA 9M

81-4533-BP-AV



The photograph may not match the reference exactly. Please read the product description to identify the finish.

[Download photometric file .ldt /.ies](#)

TECHNICAL CHARACTERISTICS

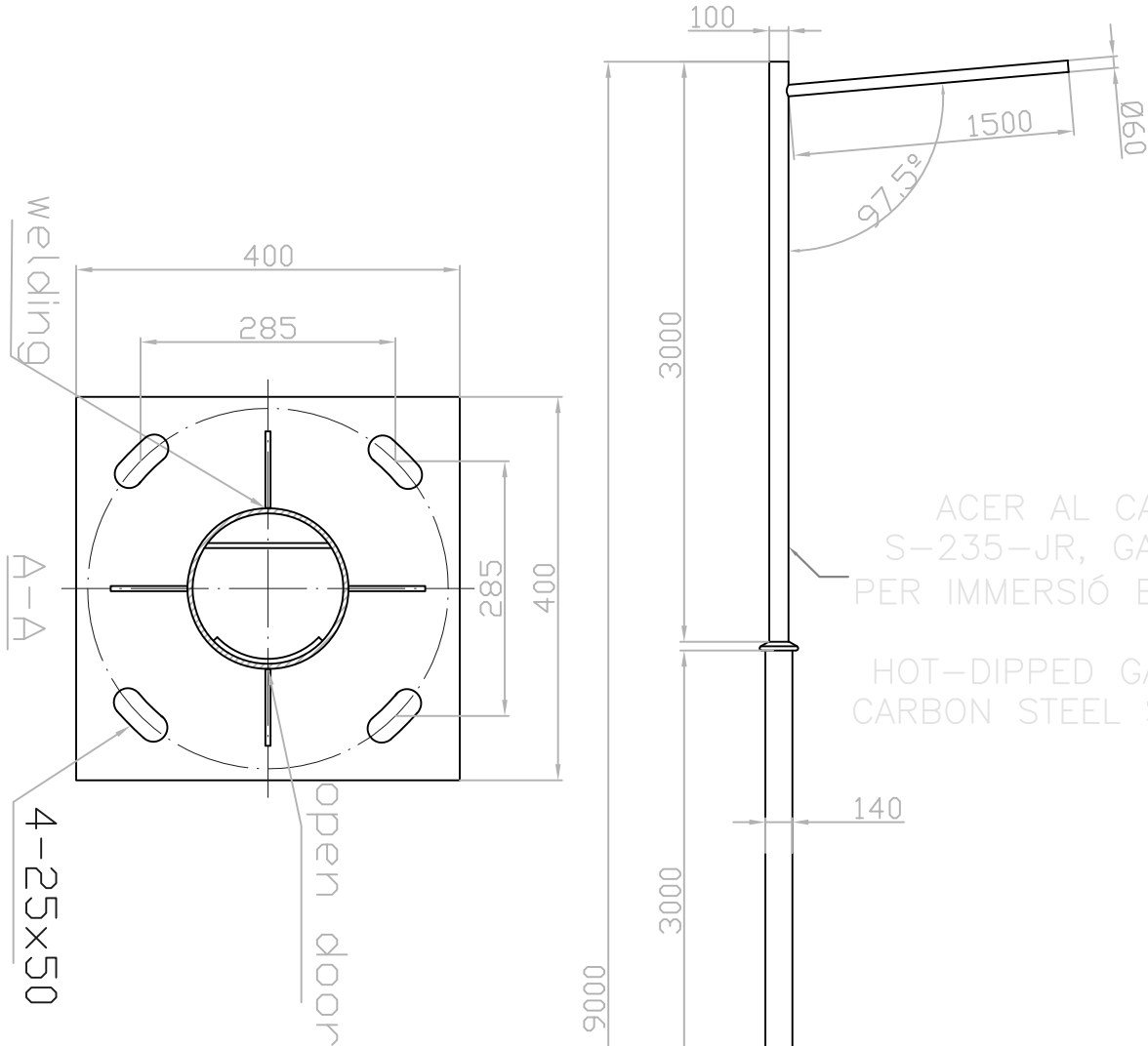
Type:	Column
IK Protection degrees:	IK10
Warranty (Years):	2
Units per box:	1
Net Weight (Kg):	128
EAN:	8435111083185,00



MATERIALS / FINISHES

Structure material: S-235-JR hot-dipped galvanized steel

Structure finish: Baked-on black forge

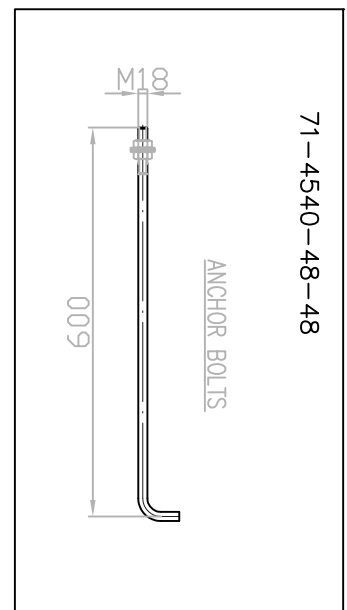


ACER AL CARBONI
S-235-JR, GALVANIZAT
PER IMMERSIÓ EN CALENT.

HOT-DIPPED GALVANISED
CARBON STEEL S-235-JR.

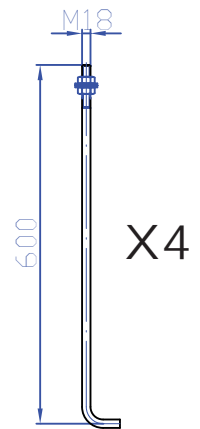
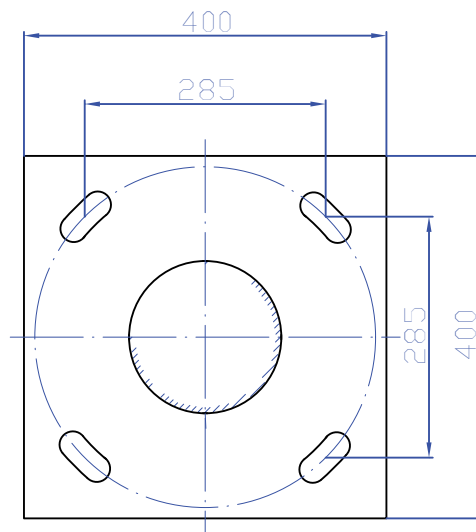
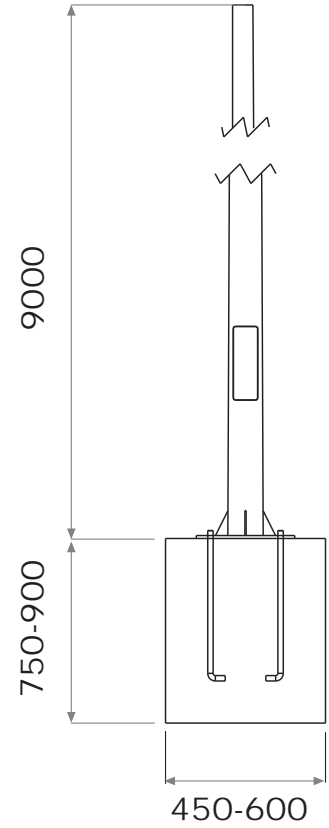
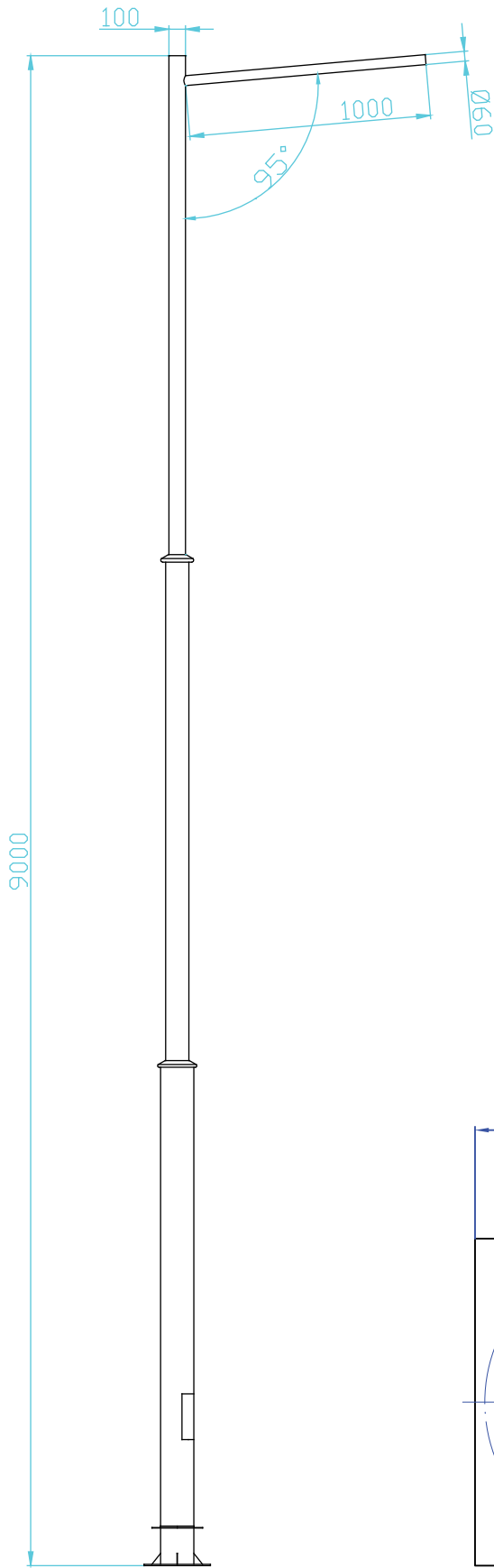
ACER AL CARBONI
S-235-JR, GALVANIZAT
PER IMMERSIÓ EN CALENT
PINTAT EN NEGRE FORJA.

HOT-DIPPED GALVANISED
CARBON STEEL S-235-JR
PAINTED IN BLACK FORGE.



71-4540-48-48

ANCHOR BOLTS



COLUMN / COLUMN
81-4533-BP-AV

PLANTILLA / TEMPLATE
71-4525-48-48

PERNO / ANCHOR BOLT
71-4540-48-48