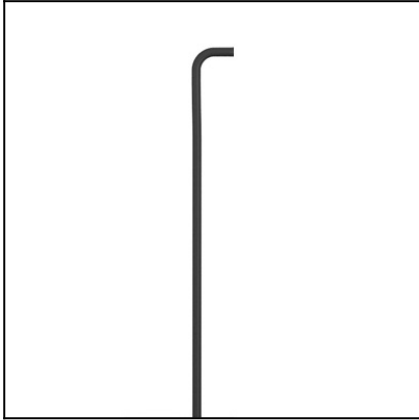
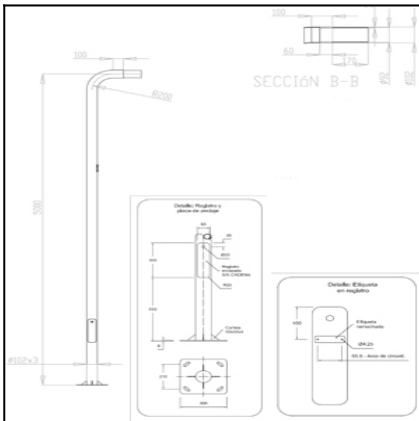


COLUMN PIL LED 5M

81-4557-AV-AV



The photograph may not match the reference exactly. Please read the product description to identify the finish.



DESCRIPTION

LED luminaire for street and urban lighting. Luminaire fitting in SIDE position for Ø90mm. For TOP fitting use specific accessories (not included). Available in versions for different power ratings (45W and 80W). 130 lm/W efficiency for LEDs at 700mA and Tj of 25°C. Mean Well driver for voltages from 100-240V and 50-60Hz. LED operating intensity: 370mA for 45W and 350mA for 80W.

TECHNICAL CHARACTERISTICS

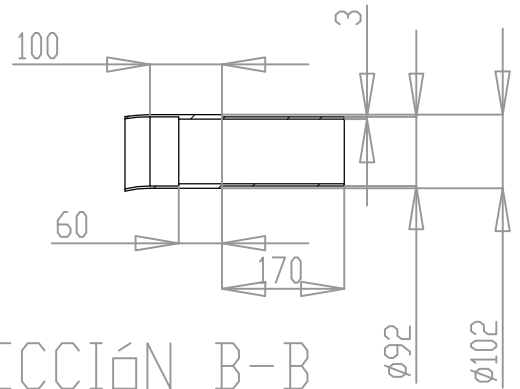
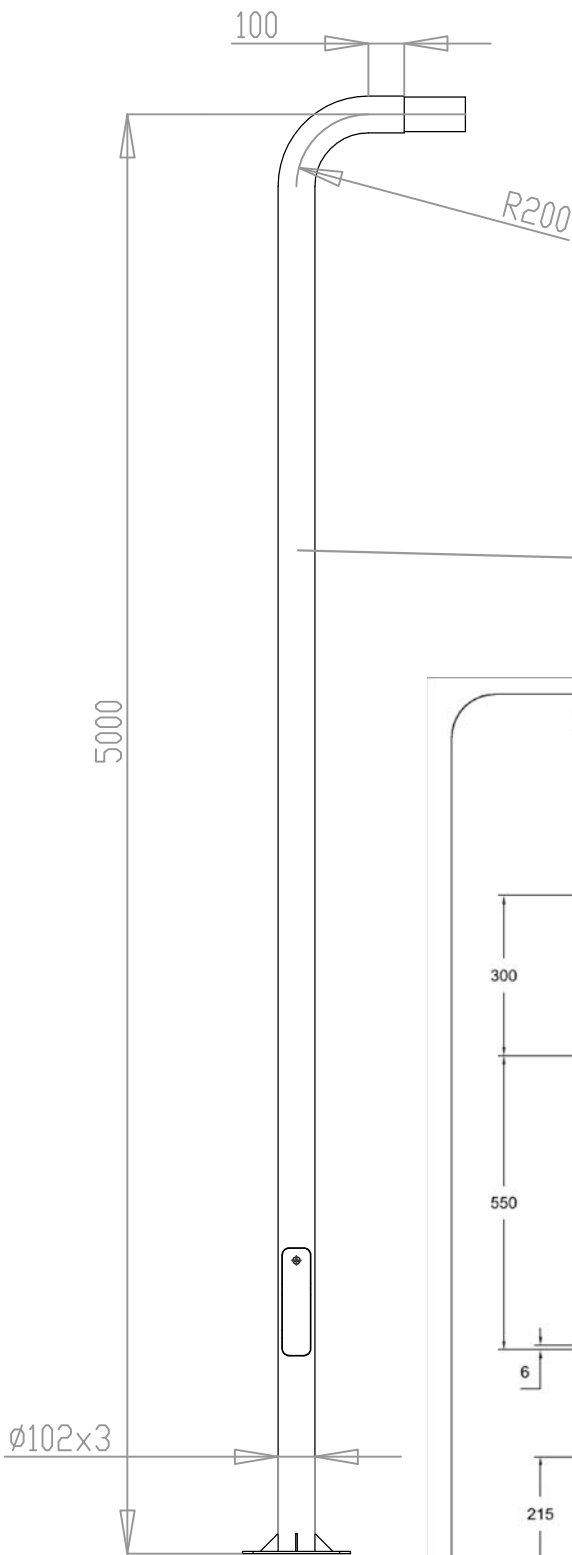
Type:	Column
IK Protection degrees:	IK10
Warranty (Years):	2
Units per box:	1
Net Weight (Kg):	52
EAN:	8435111095768,00



MATERIALS / FINISHES

Structure material: S-235-JR hot-dipped galvanized steel

Download photometric file .ldt /.ies



SECCIÓN B-B
ESCALA 1 : 10

ACER AL CARBONI
S-235-JR, GALVANIZAT
PER IMMERSIÓ EN
CALENT.

HOT-DIPPED GALVANISED
CARBON STEEL
S-235-JR.

