

**BRAÇ BOHEMIA  
82-3124-BP-BP**

The photograph may not match the reference exactly. Please read the product description to identify the finish.

Download photometric file .ldt /.ies

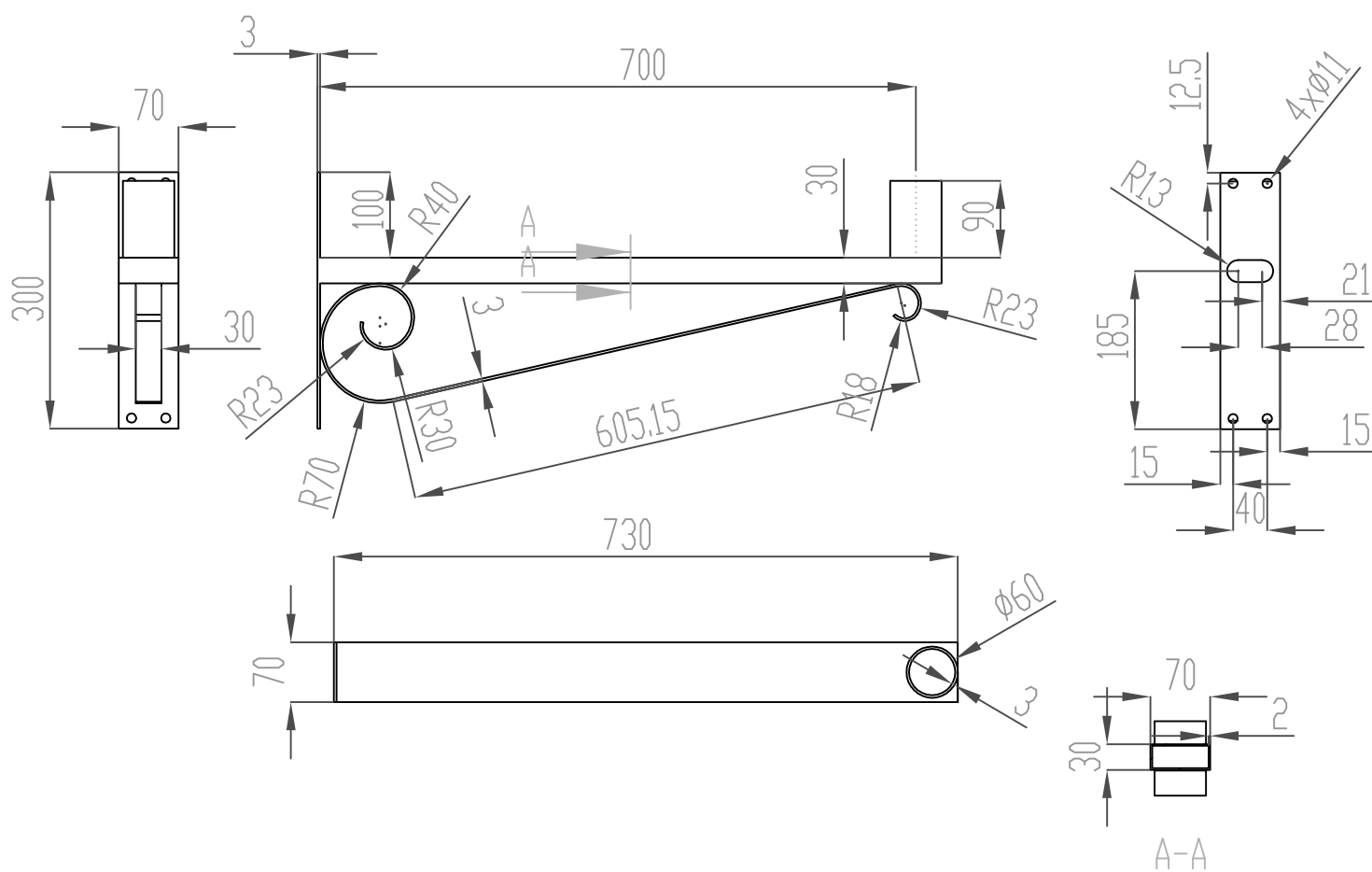
**TECHNICAL CHARACTERISTICS**

Type:	Bracket
Warranty (Years):	2
Units per box:	1
Net Weight (Kg):	3.95
EAN:	8435111077979,00

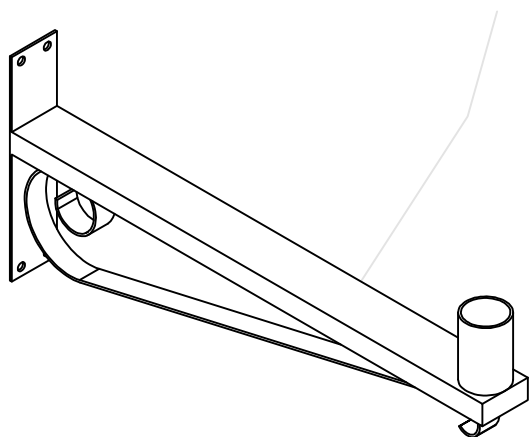
**MATERIALS / FINISHES**

**Structure material:** S-235-JR steel

**Structure finish:** Baked-on black forge



HOT-DIPPED GALVANISED CARBON STEEL S-235-JR,  
 PAINT IN BLACK FORGE, BAKED FINISH / ACER AL CARBONI  
 S-235-JR GALVANITZAT PER IMMERSIO  
 EN CALENT, PINTAT EN NEGRE FORJA ACABAT AL FORN



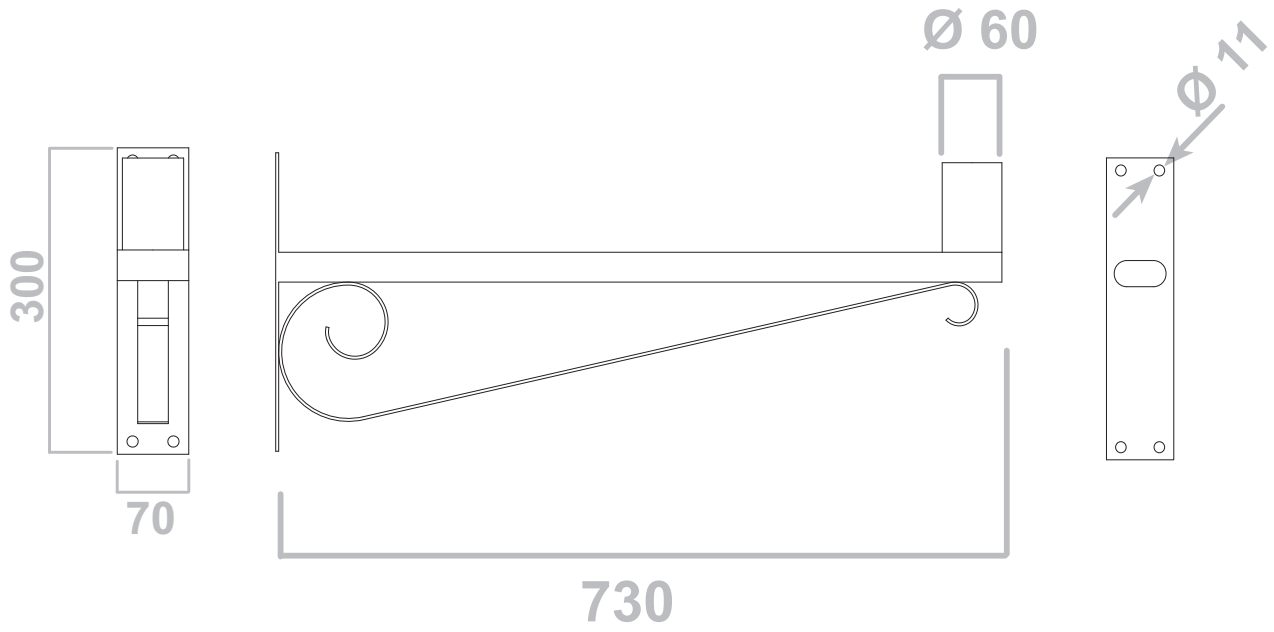


ERROR: syntaxerror  
OFFENDING COMMAND: --nostringval--

STACK:

/Title  
( )  
/Subject  
(D:20090921110621+02'00')  
/ModDate  
( )  
/Keywords  
(PDFCreator Version 0.9.5)  
/Creator  
(D:20090921110621+02'00')  
/CreationDate  
(ssantamaria)  
/Author  
-mark-

1



2

