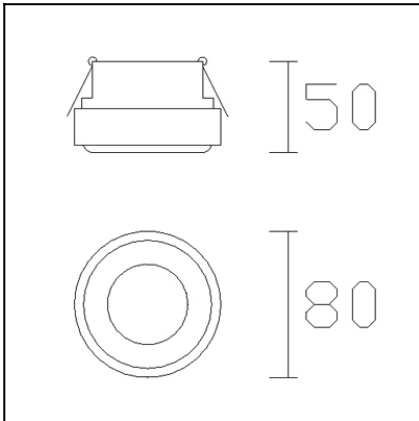




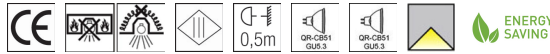
The photograph may not match the reference exactly. Please read the product description to identify the finish.



Download photometric file .ldt /.ies

TECHNICAL CHARACTERISTICS

Type:	Downlight
IP Protection degrees:	IP54
Lampholder:	1 x GU5.3 1 x GU5.3
Power (W):	GU5.3 50W GU5.3 10W
Voltage / Frequency:	12V/50Hz
Warranty (Years):	2
Units per box:	20
Net Weight (Kg):	0.27
EAN:	8435381400057,00


MATERIALS / FINISHES

Structure material: Aluminium

Diffuser material: Glass

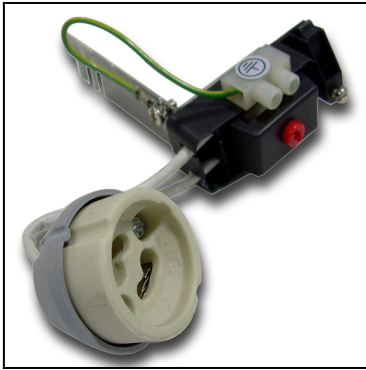
Structure finish: Chrome

Diffuser finish: Transparent

GEAR

Necessary equipment not included. For more information check website / catalogs / sales organization.

71-4396-00-00

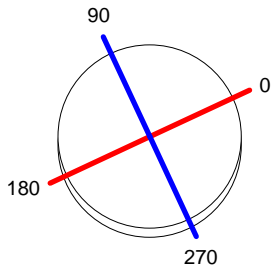


IP20

Luminaire		Measur.		Lamp	
Code	90-1689-21-37	Code	90-1689-21-37	Code	46870VWFL
Name	Downlight halo 50W GU5.3	Name	Downlight halo 50W GU5.3	Number	1
Line	- LEDS-C4	Date	18-01-2013	Position	Universal
Efficiency	88.49%	Coordinate system	C-G	Total Flux	857.00 lm
Maximum value	841.65 cd	Position	C=30.00 G=5.00	Double Symmetrical	
Round Luminaire	Diam.	80 mm	Height	30 mm	
Round Luminous Area	Diam.	43 mm	Height	20 mm	
Horizontal Luminous Area	0.001452 m ²	Emitting area on Plane 180°	0.000860 m ²		
Emitting area on Plane 0°	0.000860 m ²	Emitting area on Plane 270°	0.000860 m ²		
Emitting area on Plane 90°	0.000860 m ²	Glare area at 76°	0.001186 m ²		
Symmetry Type	Double Symmetrical	Maximum Gamma Angle	180		
Measurement Distance	6.44	Measurement Flux	705.00 lm		
Operator	Asselum T2	Source voltage	230.00 V		
Temperature	20.00 °C	Source current	PRC		
Humidity	49.00 %	Photocell			
Notes					

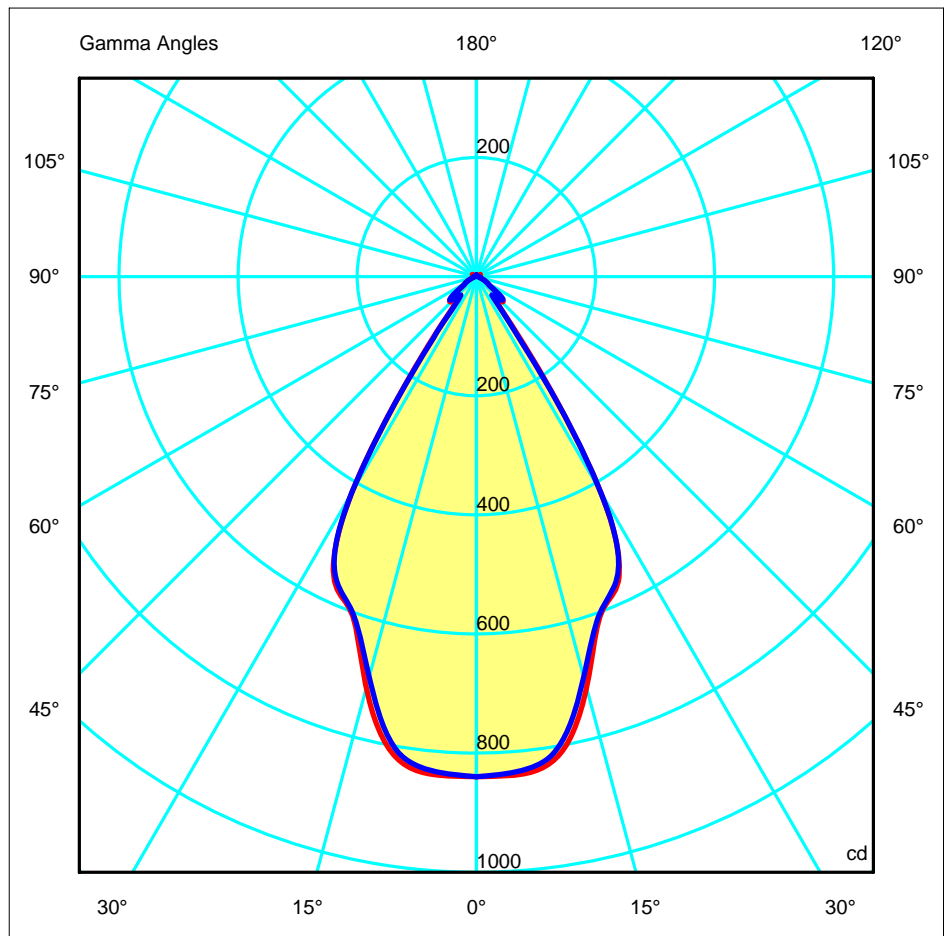
Luminaire Lamps					
Line	Code	Name	Fluxlm	Pow.W	Qta
OSRAM 2006 HS, HM, HD, HR	46870VWFL	DECOSTAR® 51 TITAN 50W GU5.3	857.00	50.00	1
C.I.E.	88 96 99 97 88	D DIN 5040	A61		
F UTE	0.86 A + 0.03 T	B NBN	BZ 1		

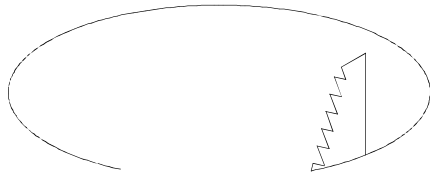
Diam=80mm



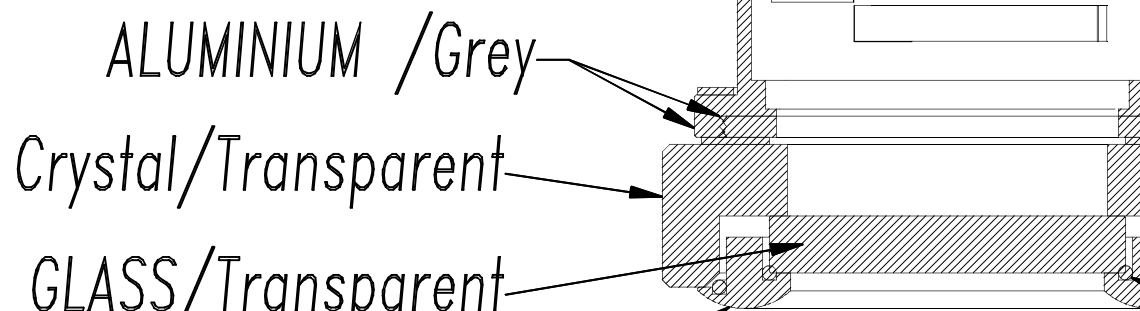
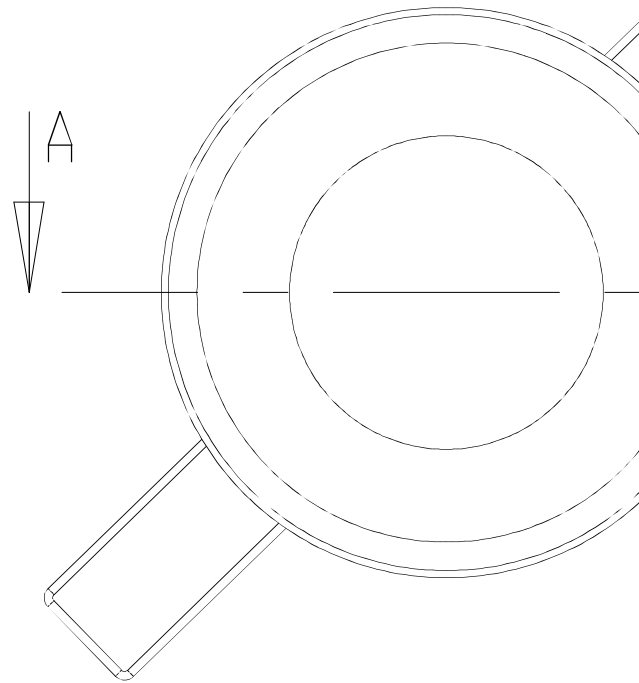
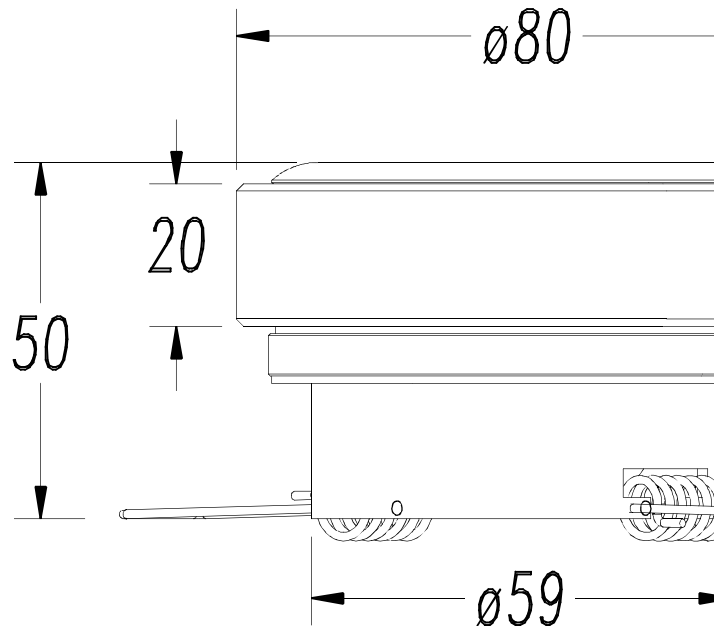
C Halfplanes
 180.0 — 0.0
 270.0 — 90.0

ULOR 2.78 %
 DLOR 85.70 %
 RN 3.15 %

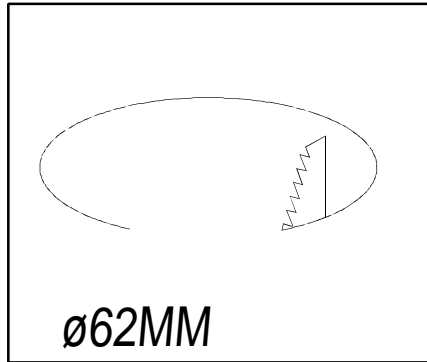
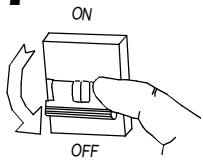




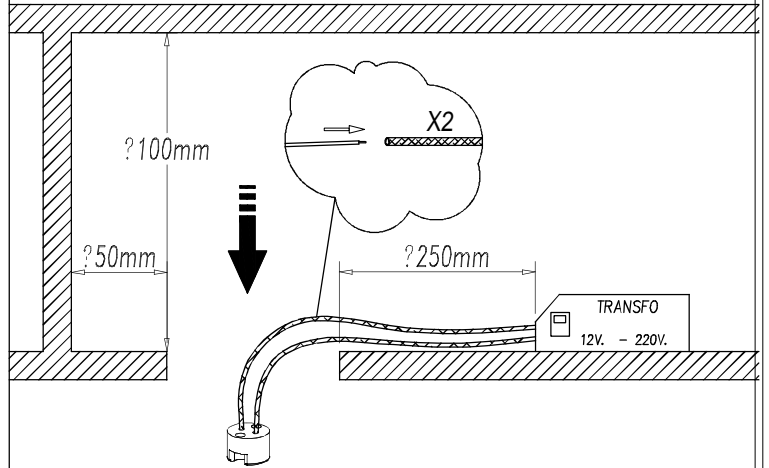
ø62MM



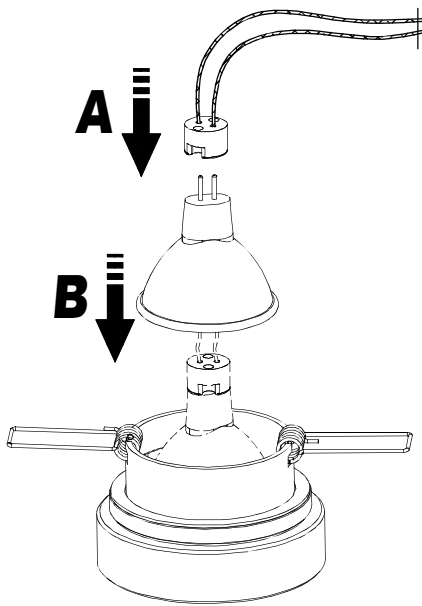
1



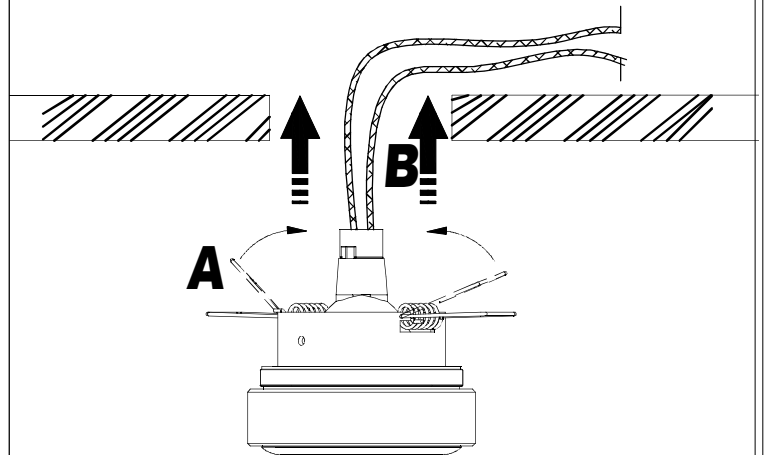
2



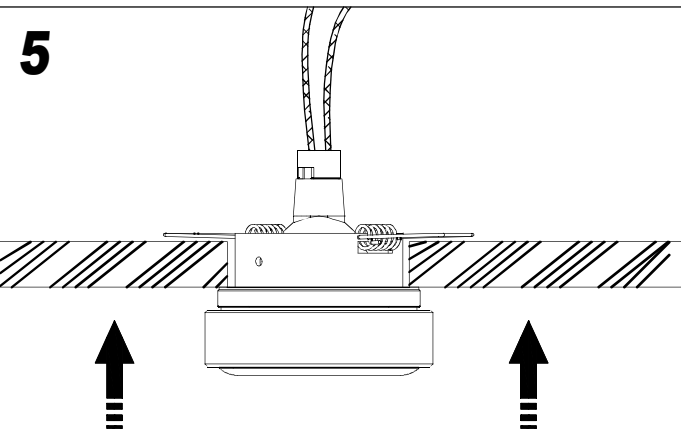
3



4



5



6

