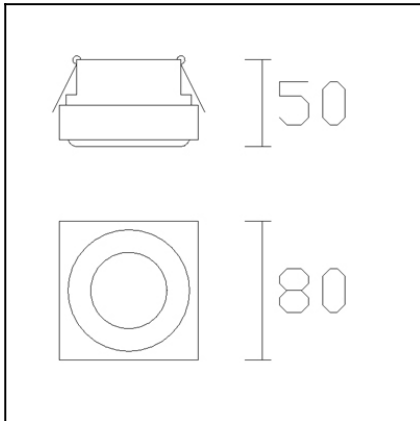




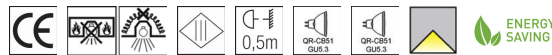
The photograph may not match the reference exactly. Please read the product description to identify the finish.



Download photometric file .ldt /.ies

**TECHNICAL CHARACTERISTICS**

Type:	Downlight
IP Protection degrees:	IP54
Lampholder:	1 x GU5.3 1 x GU5.3
Power (W):	GU5.3 50W GU5.3 10W
Voltage / Frequency:	12V/50Hz
Warranty (Years):	2
Units per box:	20
Net Weight (Kg):	0.31
EAN:	8435381400064,00


**MATERIALS / FINISHES**

**Structure material:** Aluminium

**Diffuser material:** Glass

**Structure finish:** Chrome

**Diffuser finish:** Transparent

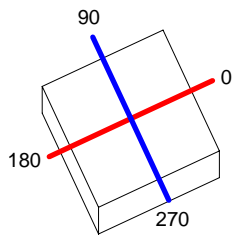
**GEAR**

Necessary equipment not included. For more information check website / catalogs / sales organization.

<b>Luminaire</b>		<b>Measur.</b>		<b>Lamp</b>		
Code	90-1690-21-37	Code	90-1690-21-37	Code	46870VWFL	
Name	Downlight halo 50W GU5.3	Name	Downlight halo 50W GU5.3	Number	1	
Line	- LEDS-C4	Date	21-01-2013	Position	Universal	
Efficiency	84.12%	Coordinate system	C-G	Total Flux	857.00 lm	
Maximum value	788.29 cd	Position	C=0.00 G=0.00	Double Symmetrical		
Rectangular Luminaire	Length	80 mm	Width	80 mm	Height	30 mm
Round Luminous Area	Diam.	43 mm	Height	20 mm		
Horizontal Luminous Area	0.001452 m <sup>2</sup>	Emitting area on Plane 180°		0.000860 m <sup>2</sup>		
Emitting area on Plane 0°	0.000860 m <sup>2</sup>	Emitting area on Plane 270°		0.000860 m <sup>2</sup>		
Emitting area on Plane 90°	0.000860 m <sup>2</sup>	Glare area at 76°		0.001186 m <sup>2</sup>		
Symmetry Type	Double Symmetrical	Maximum Gamma Angle	180			
Measurement Distance	6.44	Measurement Flux	705.00 lm			
Operator	Asselum T2	Source voltage	230.00 V			
Temperature	20.00 °C	Source current	PRC			
Humidity	51.00 %	Photocell				
Notes						

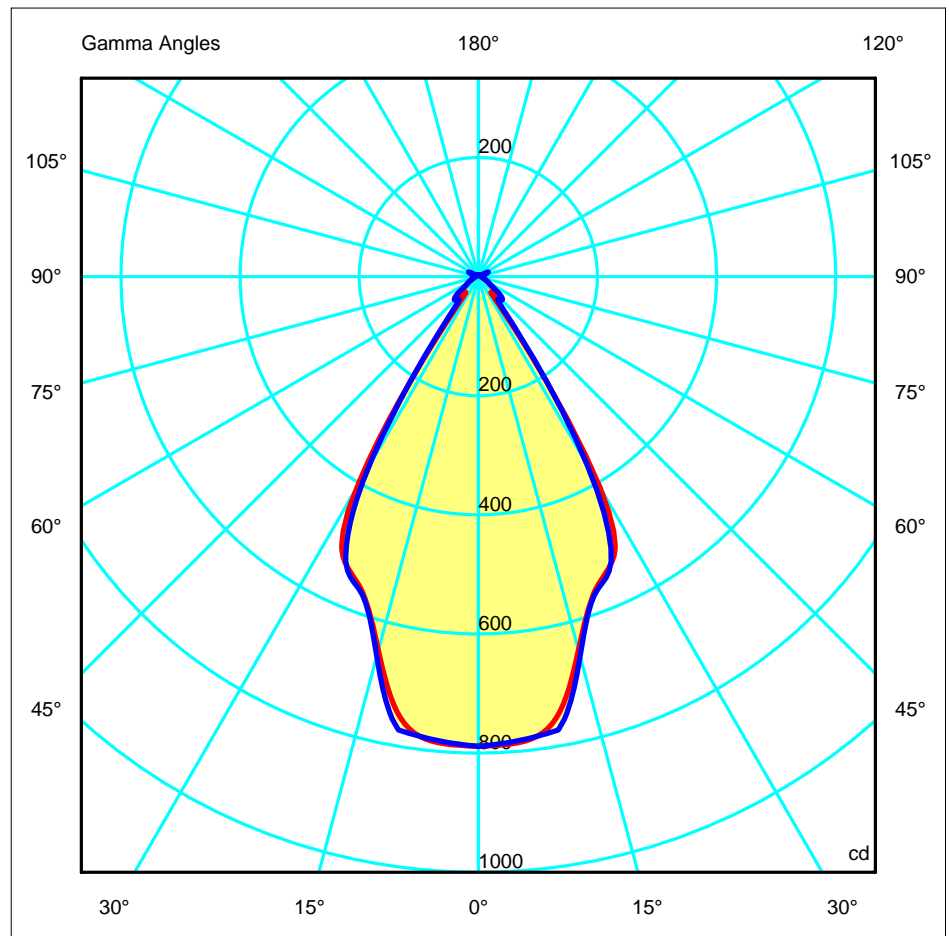
Luminaire Lamps						
Line	Code	Name	Fluxlm	Pow.W	Qta	
OSRAM 2006 HS, HM, HD, HR	46870VWFL	DECOSTAR® 51 TITAN 50W GU5.3	857.00	50.00	1	
C.I.E.	88 96 99 96 84	D DIN 5040	A61			
F UTE	0.81 A + 0.03 T	B NBN	BZ 1			

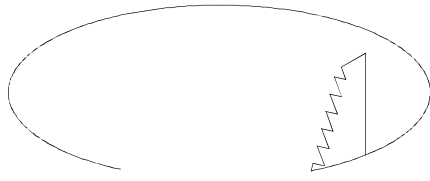
80mm x 80mm



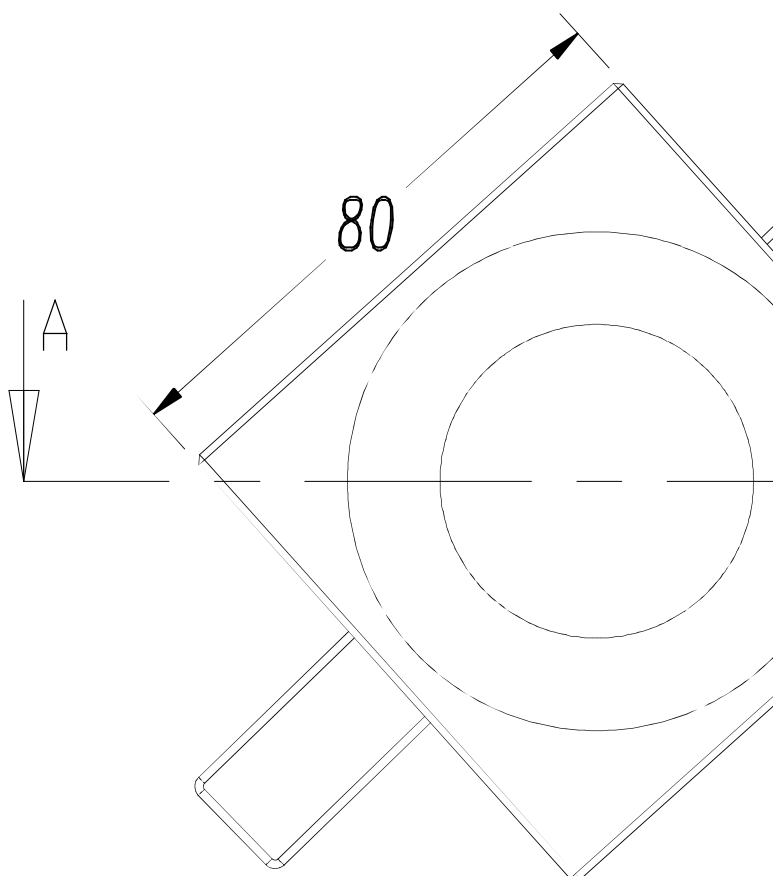
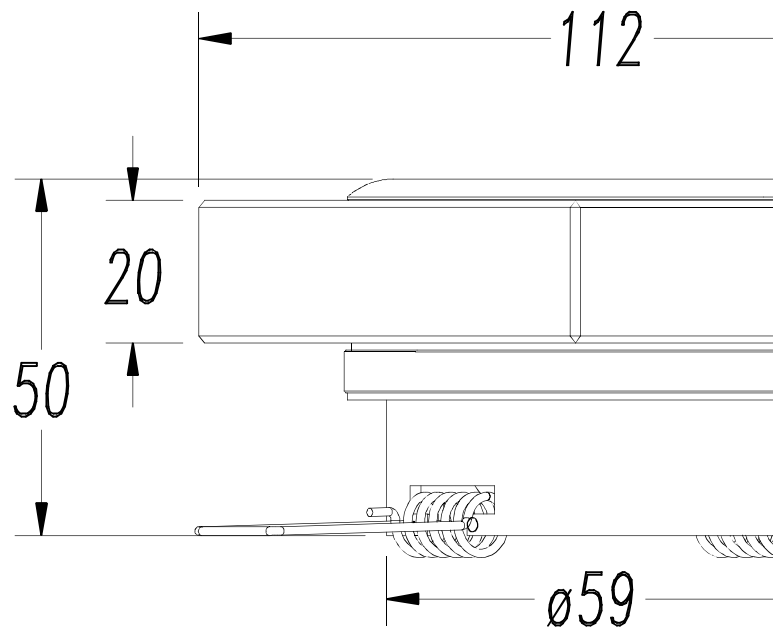
C Halfplanes  
 180.0 — 0.0  
 270.0 — 90.0

ULOR 3.42 %  
 DLOR 80.71 %  
 RN 4.06 %





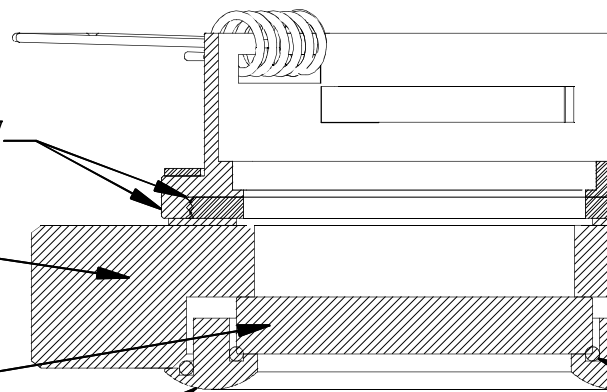
ø62MM



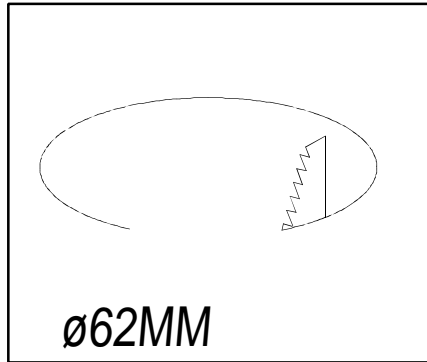
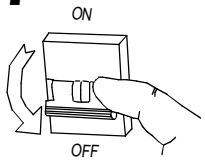
ALUMINIUM /Grey

Crystal/Transparent

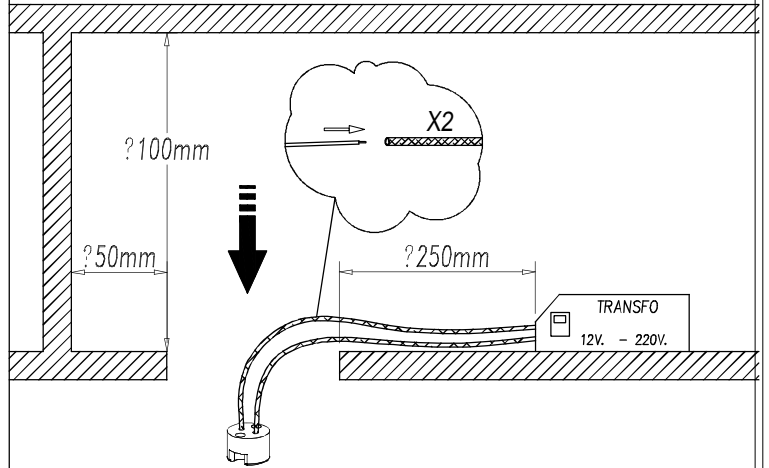
GLASS/Transparent



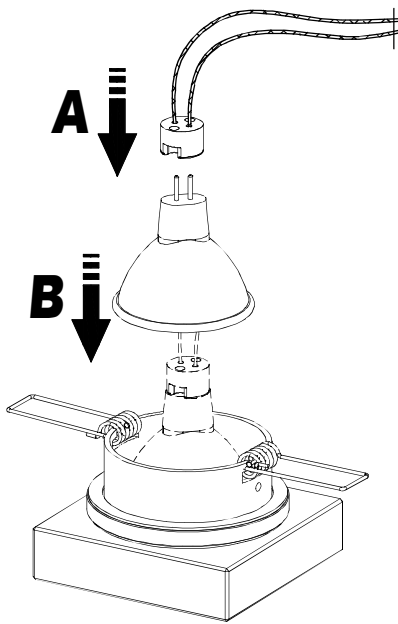
**1**



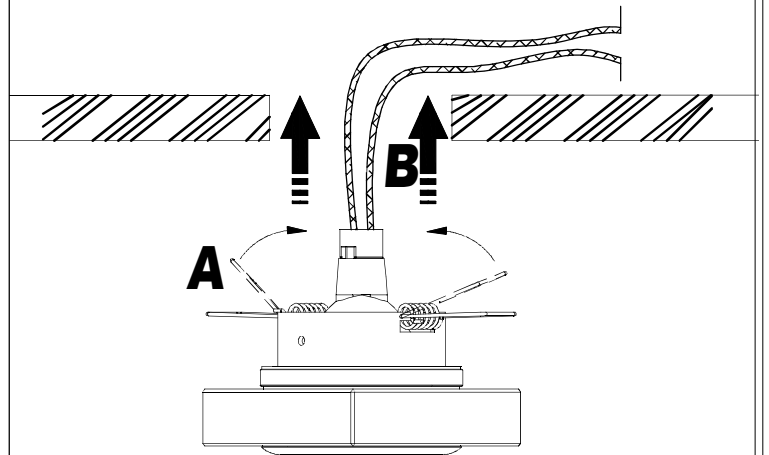
**2**



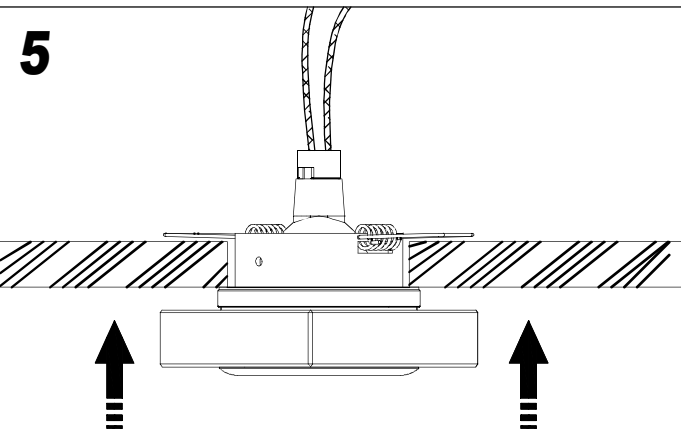
**3**



**4**



**5**



**6**

